

DEWALT®



Instruction Manual Manual de Instrucciones Manuel d'instructions

DCSNP2142

DCSNP2142-CA

Single Stage Battery Powered Snow Blower

Soplador de Nieve de una etapa a batería

Souffleuse à neige à batterie monophasée

www.DEWALT.com

If you have questions or comments, contact us.

Si tiene dudas o comentarios, comuníquese con nosotros.

Si vous avez des questions ou des commentaires, contactez-nous.

1-855-971-1123



Form No. 769-26833
(June 28, 2023)

ENGLISH

English (*original instructions*)

1

Español (*traducido de las instrucciones originales*)

19

Français (*traduction de la notice d'instructions originale*)

37

© 2023 DEWALT. DEWALT® and GUARANTEED TOUGH® are registered trademarks of the DEWALT Industrial Tool Co., used under license. All rights reserved. The yellow and black color scheme is a trademark for DEWALT Power Tools and Accessories.


© 2023 DEWALT. DEWALT® y GUARANTEED TOUGH® son marcas registradas de DEWALT Industrial Tool Co. usadas bajo licencia. Todos los derechos están reservados. El esquema de color negro y amarillo es una marca comercial de DEWALT Power Tools and Accessories.


© 2023 DEWALT. DEWALT® et GUARANTEED TOUGH® sont des marques déposées de DEWALT Industrial Tool Co. utilisées sous licence. Tous droits réservés. Le schéma de couleurs jaune et noir est une marque déposée pour les outils électriques et les accessoires DEWALT.

Definitions: Safety Alert Symbols and Words

This instruction manual uses the following safety alert symbols and words to alert you to hazardous situations and your risk of personal injury or property damage.

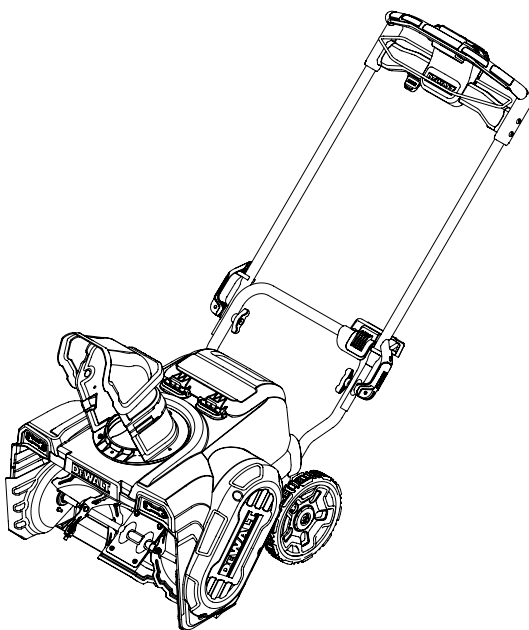
 **DANGER:** Indicates an imminently hazardous situation which, if not avoided, **will** result in **death or serious injury**.

 **WARNING:** Indicates a potentially hazardous situation which, if not avoided, **could** result in **death or serious injury**.

 **CAUTION:** Indicates a potentially hazardous situation which, if not avoided, **may** result in **minor or moderate injury**.

 (Used without word) Indicates a safety related message.

NOTICE: Indicates a practice **not related to personal injury** which, if not avoided, **may** result in **property damage**.



 **WARNING!** *Read all safety warnings and all instructions. Failure to follow the warnings and instructions may result in electric shock, fire, and/or serious injury.*

NOTE: This Operator's Manual covers several models. Features may vary by model. Not all features in this manual are applicable to all models and the model depicted may differ from yours.

If you have any questions or comments about this or any DEWALT tool, call us toll free at: 1-855-971-1123.

SAFE OPERATION PRACTICES

WARNING



This symbol points out important safety instructions which, if not followed, could endanger the personal safety and/or property of yourself and others. Read and follow all instructions in this manual before attempting to operate this machine. Failure to comply with these instructions may result in personal injury. When you see this symbol, **HEED ITS WARNING!**

DANGER

This machine was built to be operated according to the safe operation practices in this manual. As with any type of power equipment, carelessness or error on the part of the operator can result in serious injury. This machine is capable of amputating fingers, hands, toes and feet and throwing debris. Failure to observe the following safety instructions could result in serious injury or death.

TRAINING

1. Read, understand, and follow all instructions on the machine and in the manual(s) before attempting to assemble and operate. Keep this manual in a safe place for future and regular reference and for ordering replacement parts.
2. Be familiar with all controls and their proper operation. Know how to stop the machine and disengage them quickly.
3. Never allow children under 14 years of age to operate this machine. Children 14 and over should read and understand the instructions and safe operation practices in this manual and on the machine and be trained and supervised by an adult.
4. Never allow adults to operate this machine without proper instruction.
5. Thrown objects can cause serious personal injury. Plan your snow-blowing pattern to avoid discharge of material toward roads, bystanders and the like.
6. Keep bystanders, pets and children at least 75 feet from the machine while it is in operation. Stop machine if anyone enters the area.

PREPARATION

Thoroughly inspect the area where the equipment is to be used. Remove all doormats, newspapers, sleds, boards, wires and other foreign objects, which could be tripped over or thrown by the machine.

1. Always wear safety glasses or eye shields during operation and while performing an adjustment or repair to protect your eyes. Thrown objects which ricochet can cause serious injury to the eyes.
2. Do not operate without wearing adequate winter outer garments. Do not wear jewelry, long scarves or other loose clothing, which could become entangled in moving parts. Wear footwear which will improve footing on slippery surfaces.
3. Disengage all control levers before starting the motor.
4. Never attempt to make any adjustments while motor is running, except where specifically recommended in the operator's manual.

OPERATION

1. Do not put hands or feet near rotating parts, in the auger housing or chute assembly. Contact with the rotating parts can amputate hands and feet.
2. The auger control bail is a safety device. Never bypass its operation. Doing so makes the machine unsafe and may cause personal injury.
3. The auger control bail must operate easily in both directions and automatically return to the disengaged position when released.
4. Never operate with a missing or damaged guard or chute assembly. Keep all guards and safety devices in place and in working order.
5. The handle sensor is a safety device. Ensure the handle is locked in the upright position and that the nub of the left handle lever engages with the slot of the handle sensor.
6. Do not operate machine while under the influence of alcohol or drugs.
7. Do not use on graveled surface. Exercise extreme caution and disengage the auger crossing gravel surfaces. Stay alert for hidden hazards or traffic.
8. Exercise caution when changing direction and while operating on slopes. Do not operate on steep slopes.
9. Plan your snow-blowing pattern to avoid discharge towards windows, walls, cars etc. Thus, avoiding possible property damage or personal injury caused by a ricochet.
10. Never direct discharge at children, bystanders and pets or allow anyone in front of the machine.
11. Do not overload machine capacity by attempting to clear snow at too fast of a rate. It will perform better and safer at the rate for which it was designed.
12. Never operate this machine without good visibility or light. Don't Overreach. Always be sure of your footing and balance. Keep a firm hold on the handles. Walk, never run.
13. Release auger control bail to disengage power to the auger when transporting or not clearing snow.

SAFE OPERATION PRACTICES

- Never operate machine at high transport speeds on slippery surfaces. Look down and behind and use care when backing up.
- After striking a foreign object or if the machine should start to vibrate abnormally, stop the motor, remove the safety key. Inspect thoroughly for damage. Repair any damage before starting and operating.
- Disengage the auger control bail, stop motor, and remove the safety key before you leave the operating position (behind the handles). Wait until the auger comes to a complete stop before unlogging the chute assembly, making any adjustments, or inspections.
- Never put your hand in the discharge or collector openings. Always use a clean-out tool to unclog the discharge opening. Disengage the auger control bail, stop motor, and remove the safety key. Remain behind handles until all moving parts have stopped before unlogging.
- Use only attachments and accessories approved by the manufacturer (e.g. wheel weights, tire chains, cabs etc.). The use of an unapproved accessory or attachment may increase the risk of injury.
- If situations occur which are not covered in this manual, use care and good judgment. Contact Customer Support for assistance and the name of your nearest servicing dealer.
- Snow blower shave plates are subject to wear and damage. For your safety protection, frequently check all components and replace with original equipment manufacturer's (OEM) parts only. Use of parts which do not meet the original equipment specifications may lead to improper performance and compromise safety!
- Check control levers periodically to verify they engage and disengage properly and adjust, if necessary. Refer to the adjustment section in this operator's manual for instructions.
- Maintain or replace safety and instruction labels, as necessary.
- Prior to storing, run machine a few minutes to clear snow from machine and prevent freeze up of auger.
- Store Idle Snow Blowers Indoors – When not in use, snow blowers should be stored indoors in a dry, locked-up place with the safety key removed and out of reach of children.
- According to the Consumer Products Safety Commission (CPS), a snow blower has an **Average Useful Life** of six (6) years. At the end of the **Average Useful Life** have the machine inspected annually by an authorized service dealer to ensure that all mechanical, electrical, and safety systems are working properly and not worn excessively. Failure to do so can result in accidents, serious injuries or death.

CLEARING A CLOGGED DISCHARGE CHUTE

Hand contact with the rotating impeller or auger inside the discharge chute is the most common cause of injury associated with snow blowers. Never use your hand to clean out the discharge chute.

To clear the chute:

- SHUT THE Motor OFF!
- Remove the safety key.
- Wait 10 seconds to be sure the impeller or auger has stopped rotating.
- Always use a clean-out tool, not your hands.

MAINTENANCE & STORAGE

- Never tamper with safety devices. Check their proper operation regularly. Refer to the maintenance and adjustment sections of this manual.
- Before cleaning, repairing, or inspecting machine, disengage the auger control bail, stop the motor, remove the safety key and remove battery(ies). Wait until the auger comes to a complete stop.
- Check bolts and screws for proper tightness at frequent intervals to keep the machine in safe working condition. Also, visually inspect machine for any damage.

DO NOT MODIFY SNOW BLOWER SPEED

To avoid serious injury or death, do not modify snow blower speed in any way. Tampering with operating speed can lead to unsafe operating conditions.

GENERAL ELECTRIC SAFETY

- Do not expose the snow blower to rain or wet conditions.
- Do not handle the snow blower with wet hands.
- Wear rubber boots when operating the snow mover.
- Avoid dangerous environments. Do not operate the unit in the rain, in wet conditions or on wet surfaces. Moisture is a shock hazard.
- To reduce the risk of electric shock, avoid body contact with grounded conductors, such as metal pipes or wire fences.
- Do not operate the snow blower in explosive atmospheres, such as in the presence of flammable liquids, gases or dust.

The battery pack is not fully charged out of the carton. Before using the battery pack and charger, read the safety instructions below and then follow charging procedures outlined below. When ordering replacement battery packs, be sure to include the catalog number and voltage.

SAFE OPERATION PRACTICES

IMPORTANT SAFETY INSTRUCTIONS FOR ALL BATTERY PACKS

WARNING

Read all safety warnings, instructions and cautionary markings for the battery pack, charger and product. Failure to follow the warnings and instructions may result in electric shock, fire and/or serious injury.

1. Do not charge or use the battery pack in explosive atmospheres, such as in the presence of flammable liquids, gases or dust. Inserting or removing the battery pack from the charger may ignite the dust or fumes.
2. When battery pack is not in use, keep it away from other metal objects, like paper clips, coins, keys, nails, screws or other small metal objects, that can make a connection from one terminal to another. Shorting the battery terminals together may cause burns or a fire.
3. NEVER force the battery pack into the charger. Do not modify the battery pack in any way to fit into a non-compatible charger as battery pack may rupture causing serious personal injury.
4. Charge the battery packs only in original equipment manufacturer chargers.
5. Do not splash or immerse in water or other liquids.
6. Do not store or use the tool and battery pack in locations where the temperature may reach or exceed 104° F (40° C) (such as outside sheds or metal buildings in summer). For best life store battery packs in a cool, dry location.
7. Do not incinerate the battery pack even if it is severely damaged or is completely worn out. The battery pack can explode in a fire. Toxic fumes and materials are created when lithium-ion battery packs are burned.
8. If battery contents come into contact with the skin, immediately wash area with mild soap and water. If battery liquid gets into the eye, rinse water over the open eye for 15 minutes or until irritation ceases. If medical attention is needed, the battery electrolyte is composed of a mixture of liquid organic carbonates and lithium salts.
9. Contents of opened battery cells may cause respiratory irritation. Provide fresh air. If symptoms persist, seek medical attention.

WARNING

Burn hazard. Battery liquid may be flammable if exposed to spark or flame.

WARNING

Fire hazard. Never attempt to open the battery pack for any reason. If the battery pack case is cracked or damaged, do not insert into the charger. Do not crush, drop or damage the battery pack. Do not use a battery pack or charger that has received a sharp blow, been dropped, run over or damaged in any way (e.g., pierced with a nail, hit with a hammer, stepped on). Damaged battery packs should be returned to the service center for recycling.

IMPORTANT SAFETY INSTRUCTIONS FOR ALL BATTERY CHARGERS

WARNING

Read all safety warnings, instructions and cautionary markings for the battery pack, charger and product. Failure to follow the warnings and instructions may result in electric shock, fire and/or serious injury.

1. Do not attempt to charge the battery pack with any chargers other than an original manufacturer charger. Original manufacturer charger and battery pack are specifically designed to work together.
2. These chargers are not intended for any uses other than charging original manufacturer rechargeable batteries. Any other uses may result in risk of fire, electric shock or electrocution.
3. Do not expose the charger to rain or snow.
4. Pull by the plug rather than the cord when disconnecting the charger. This will reduce the risk of damage to the electric plug and cord.
5. Make sure that the cord is located so that it will not be stepped on, tripped over or otherwise subjected to damage or stress.
6. Do not use an extension cord unless it is absolutely necessary. Use of improper extension cord could result in risk of fire, electric shock or electrocution.
7. When operating a charger outdoors, always provide a dry location and use an extension cord suitable for outdoor use. Use of a cord suitable for outdoor use reduces the risk of electric shock.

SAFE OPERATION PRACTICES

8. An extension cord must have adequate wire size (AWG or American Wire Gauge) for safety. The smaller the gauge number of the wire, the greater the capacity of the cable, that is, 16 gauge has more capacity than 18 gauge. An undersized cord will cause a drop in line voltage resulting in loss of power and overheating. When using more than one extension to make up the total length, be sure each individual extension contains at least the minimum wire size. The following table shows the correct size to use depending on cord length and nameplate ampere rating. If in doubt, use the next heavier gauge. The lower the gauge number, the heavier the cord.

MINIMUM WIRE SIZE FOR EXTENSION CORDS FOR 120 VOLT APPLIANCES USING 0-6 AMPS

Cord Length (ft.)	25	50	100	150
Wire Size (AWG)	18	16	16	14

9. Do not place any object on top of the charger or place the charger on a soft surface that might block the ventilation slots and result in excessive internal heat. Place the charger in a position away from any heat source. The charger is ventilated through slots in the top and the bottom of the housing.
10. Do not operate the charger with a damaged cord or plug - have them replaced immediately.
11. Do not operate the charger if it has received a sharp blow, been dropped or otherwise damaged in any way. Take it to an authorized service center.
12. Do not disassemble the charger; take it to an authorized service center when service or repair is required. Incorrect reassembly may result in a risk of electric shock, electrocution or fire.
13. Disconnect the charger from the outlet before attempting any cleaning. This will reduce the risk of electric shock. Removing the battery pack will not reduce this risk.
14. NEVER attempt to connect two (2) chargers together.
15. The charger is designed to operate on standard 120V household electrical power. Do not attempt to use it on any other voltage.

WARNING

Shock hazard. Do not allow any liquid to get inside the charger. Electric shock may result.

WARNING

Burn hazard. Do not submerge the battery pack in any liquid or allow any liquid to enter the battery pack. Never attempt to open the battery pack for any reason. If the plastic housing of the battery pack breaks or cracks, return to a service center for recycling.

CAUTION

Burn hazard. To reduce the risk of injury, charge only original manufacturer rechargeable battery packs. Other types of batteries may overheat and burst resulting in personal injury and property damage.

CAUTION

Under certain conditions, with the charger plugged into the power supply, the charger can be shorted by foreign material. Foreign materials of a conductive nature, such as, but not limited to, grinding dust, metal chips, steel wool, aluminum foil or any buildup of metallic particles should be kept away from the charger cavities. Always unplug the charger from the power supply when there is no battery pack in the cavity. Unplug the charger before attempting to clean.

SAFE OPERATION PRACTICES

DISPOSING OF DAMAGED OR WORN-OUT BATTERIES

⚠ WARNING

The following toxic and corrosive material is used in this unit's battery:

LITHIUM-ION, a toxic material.

⚠ WARNING

To prevent contamination of the environment, contact your local waste disposal agency for specific instructions before disposing of damaged or worn-out lithium-ion batteries. Take batteries to a local recycling and/or disposal center, certified for lithium-ion battery disposal.

⚠ WARNING

Do not use broken or cracked batteries, even if there isn't leakage. Replace damaged or worn-out batteries with new batteries. **DO NOT ATTEMPT TO REPAIR BATTERIES!** Repair attempts may result in severe personal injury, due to explosion or electrical shock.

To avoid personal injury and damage to the environment:

1. Do not attempt to remove or destroy any of the battery components. Do not open or mutilate the battery. If a leak develops, released electrolytes are corrosive and toxic. Do not get the solution in your eyes or on your skin, and do not swallow it.
2. Do not dispose of the battery in the regular household trash.
3. Do not dispose of the battery in a fire. The cell may explode.
4. Do not dispose of the battery where it will become part of any waste landfill or municipal solid waste stream.
5. Cover the battery terminals with heavy-duty adhesive tape.
6. Dispose of the battery according to local, state and federal regulations.
7. Dispose of the battery promptly.

About Call2Recycle Battery Seals

Call2Recycle's industry steward program helps battery and product manufacturers fulfill recycling requirements in the U.S. and Canada, including compliance with extensive state, provincial and federal regulations, such as the Mercury-Containing and Rechargeable Battery Act (The Battery Act). Call2Recycle® Licensees/Industry Stewards, participating battery and product manufacturers and marketers, purchase the rights to imprint the Call2Recycle Battery Seals on their rechargeable batteries and products. When you see the Call2Recycle Battery Seal, you can feel confident knowing that your battery or product can be safely and responsibly recycled.



About Call2Recycle

Since 1994, Call2Recycle has diverted more than 75 million pounds of rechargeable batteries from local landfills and established a network of 30,000 recycling drop-off locations. More than 200 battery and/or product manufacturers, Call2Recycle Industry Stewards, have united to ensure that batteries are responsibly recycled when they reach their end of life and fund the program that is operated by Call2Recycle, Inc., a 501(c)4 nonprofit public service organization.

To locate the nearest recycling center, please call 1-800-822-8837.

FCC STATEMENT

⚠ WARNING


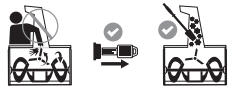







Changes or modifications not expressly approved by the party responsible for compliance could void the user's authority to operate the equipment.

NOTE: This equipment has been tested and found to comply with the limits for a Class B digital device, pursuant to part 15 of the FCC Rules. These limits are designed to provide reasonable protection against harmful interference in a residential installation. This equipment generates, uses and can radiate radio frequency energy and, if not installed and used in accordance with the instructions, may cause harmful interference to radio communications. However, there is no guarantee that interference will not occur in a particular installation. If this equipment does cause harmful interference to radio or television reception, which can be determined by turning the equipment off and on, the user is encouraged to try to correct the interference by one or more of the following measures:

- Reorient or relocate the receiving antenna.
- Increase the separation between the equipment and receiver.
- Connect the equipment into an outlet on a circuit different from that to which the receiver is connected.
- Consult the dealer or an experienced radio/TV technician for help.

SAFETY SYMBOLS

This page depicts and describes safety symbols that may appear on this snow blower. Read, understand, and follow all instructions on the snow blower before attempting to assemble and operate.

Symbol	Description
 <p>OPESymbol.com</p>	<p>DANGER – READ OPERATOR’S MANUAL: Read, understand and follow all the safety rules and instructions in the manual(s) and on the snow blower before attempting to operate this snow blower. Failure to comply with this information may result in personal injury or death. Keep this manual in a safe location for future and regular reference. Using a Smart Phone, scan the QR code symbol to learn more information concerning the warnings contained on this snow blower. You can also go to www.OPESymbol.com for more information.</p>
	<p>DANGER – AVOID AMPUTATION INJURY, DISCHARGE CHUTE: Do not put hands near or into the discharge chute while the motor is running. Contact with the rotating impeller or auger can amputate fingers and hands. Stop motor and remove safety key and wait until all moving parts have stopped rotating. Always use clean-out tool to clear the discharge chute, never use your hand.</p>
	<p>CAUTION – THROWN OBJECT: Use for snow removal only.</p>
	<p>WARNING — THROWN OBJECT/ENTANGLEMENT: Do not operate the snow blower without the guards and discharge chute installed.</p>
	<p>DANGER — AVOID THROWN OBJECT INJURY: Do not walk in front of running machine. Do not direct discharge at bystanders.</p>
	<p>DANGER — ROTATING BLADES: To reduce the risk of injury, keep hands and feet away. Do not operate unless discharge chute is in its proper place. If damaged, replace immediately.</p>
	<p>DANGER – AVOID AMPUTATION INJURY, AUGER HOUSING: Do not put hands or feet near or into the auger housing while the motor is running. Contact with the auger can amputate fingers, hands, toes and feet.</p>
	<p>WARNING — ELECTRIC SHOCK: Never douse or hose the snow blower with water.</p>
	<p>WARNING — ELECTRIC SHOCK: Remove the battery before storing or attempting any service.</p>

WARNING

Your Responsibility—Restrict the use of this power machine to persons who read, understand and follow the warnings and instructions in this manual and on the machine - **SAVE THESE INSTRUCTIONS!**

BATTERIES & CHARGERS

The battery pack is not fully charged out of the carton. Before using the battery pack and charger, read the safety instructions in the Safe Operation Practices section and then follow charging procedures outlined in this section. When ordering replacement battery packs, be sure to include the catalog number and voltage.

Important Charging Notes

- Longest life and best performance can be obtained if the battery pack is charged when the air temperature is between (65° F - 75° F (18° C - 24° C)). DO NOT charge when the battery pack is below +40° F (+4.5° C), or above +104° F (+40° C). This is important and will prevent serious damage to the battery pack.
- The charger and battery pack may become warm to the touch while charging. This is a normal condition, and does not indicate a problem. To facilitate the cooling of the battery pack after use, avoid placing the charger or battery pack in a warm environment such as in a metal shed or an uninsulated trailer.
- If the battery pack does not charge properly:
 - Check operation of receptacle by plugging in a lamp or other appliance;
 - Check to see if receptacle is connected to a light switch which turns power off when you turn out the lights;
 - Move the charger and battery pack to a location where the surrounding air temperature is approximately 65° F - 75° F (18° C - 24° C);
 - If charging problems persist, take the tool, battery pack and charger to your local service center.
- The battery pack should be recharged when it fails to produce sufficient power on jobs which were easily done previously. Do not CONTINUE to use under these conditions. Follow the charging procedure. You may also charge a partially used pack whenever you desire with no adverse effect on the battery pack.
- Foreign materials of a conductive nature such as, but not limited to, grinding dust, metal chips, steel wool, aluminum foil or any buildup of metallic particles should be kept away from charger cavities. Always unplug the charger from the power supply when there is no battery pack in the cavity. Unplug the charger before attempting to clean.
- Do not freeze or immerse the charger in water or any other liquid.

Charging a Battery

NOTE: Only use DeWalt Flexvolt battery system chargers (DCB1104 recommended) to charge the batteries used with this snow blower.

NOTE: To ensure maximum performance and life of lithium-ion battery packs, charge the battery pack fully before first use.

- Plug the charger into an appropriate outlet before inserting battery pack.
- Connect the charger and battery pack (Figure 1), making sure the battery is fully seated. The (charging) light will blink continuously indicating that the charging process has started.

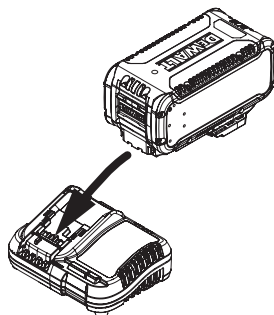


Figure 1

- The completion of charge will be indicated by the light remaining ON continuously. The battery pack is fully charged and may be removed and used at this time or left in the charger.

NOTE: To remove the battery pack, some chargers require the battery pack release button to be pressed.

Indicators		
	Charging	
	Fully Charged	
	Hot/Cold Pack Delay	

A charger will not charge a faulty battery pack. The charger refusing to light could indicate a problem with the charger.

NOTE: If the charger refuses to light, take the charger and battery pack to be tested at an authorized service center.

HOT/COLD PACK DELAY

When the charger detects a battery pack that is too hot or too cold, it automatically starts a Hot/Cold Pack Delay, suspending charging until the battery pack has reached an appropriate temperature. The charger then automatically switches to the pack charging mode. This feature ensures maximum battery pack life.

A cold battery pack may charge at a slower rate than a warm battery pack.

BATTERIES & CHARGERS

Battery and Battery Charger Care

STORAGE RECOMMENDATIONS

1. The best storage place is one that is cool and dry, away from direct sunlight and excess heat or cold.
2. For long storage, it is recommended to store a fully charged battery pack in a cool dry place out of the charger for optimal results.

NOTE: Battery packs should not be stored completely depleted of charge. The battery pack will need to be recharged before use.

BATTERY PACK CLEANING INSTRUCTIONS

Dirt and grease may be removed from the exterior of the battery using a cloth or soft non-metallic brush. Do not use water or any cleaning solutions.

CHARGER CLEANING INSTRUCTIONS

⚠ WARNING

Shock hazard. Disconnect the charger from the AC outlet before cleaning. Dirt and grease may be removed from the exterior of the charger using a cloth or soft non-metallic brush. Do not use water or any cleaning solutions.

1. Keep the battery charger clean and clear of debris. Do not allow foreign material into the charger connector (a) or onto the terminals (b) (Figure 2). Inspect the battery charger for foreign material before each use.

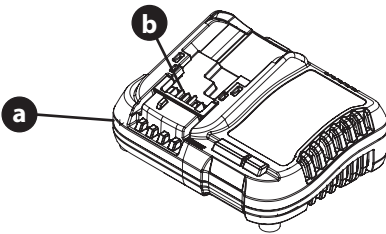


Figure 2

2. Make sure the charger has not been shorted by debris. Inspect the terminals for soot and signs of melting. Do not attempt to use a damaged charger.

Transportation

⚠ WARNING

Fire hazard. Do not store or carry the battery pack so that metal objects can contact exposed battery terminals. For example, do not place the battery pack in aprons, pockets, tool boxes, product kit boxes, drawers, etc., with loose nails, screws, keys, etc. Transporting batteries can possibly cause fires if the battery terminals inadvertently come in contact with conductive materials such as keys, coins, hand tools and the like. The US Department of Transportation Hazardous Material Regulations (HMR) actually prohibit transporting batteries in commerce or on airplanes in carry-on baggage UNLESS they are properly protected from short circuits. When transporting individual battery packs, make sure that the battery terminals are protected and well-insulated from materials that could contact them and cause a short circuit.

NOTE: Li-ion batteries should not be put in checked baggage.

ASSEMBLY

Overview

- Remove packaging materials from snow blower.
- Rotate Handle into the upright position and lock the handles in place. Refer to Handle Assembly.
- Install the chute. Refer to Chute Assembly Options.
- Complete snow blower assembly. Refer to Set-Up on page 11.

Tools Required

- Adjustable Wrench or Socket Set

Assembly

1. Charge batteries. Refer to Charging a Battery on page 8.
2. Remove nut (a) and bolt from (b) lower handle (Figure 3).
3. Using the nut and bolt removed in STEP 3, secure the handle sensor (c) to the lower handle.

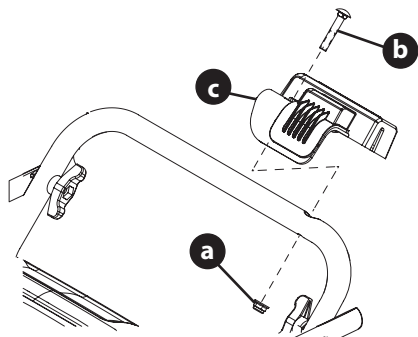


Figure 3

4. Flip the two handle levers down to the Unlocked position (Figure 4).

NOTE: if the handle lever does not flip down, loosen the wing knob until the handle lever will flip down.

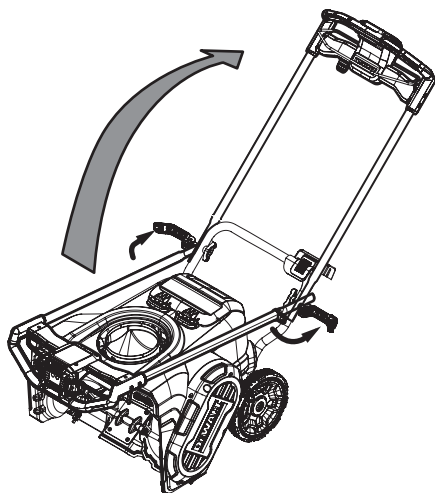


Figure 4

5. Pivot the upper handle into the operating position. Be sure not to pinch any of the cables in the process (Figure 4).
6. Flip the two handle levers (unlocked in STEP 4) up to the locked position to secure the upper handle in the operating position (Figure 5).

NOTE: Ensure the nub of the left handle lever engages the slot of the handle sensor.

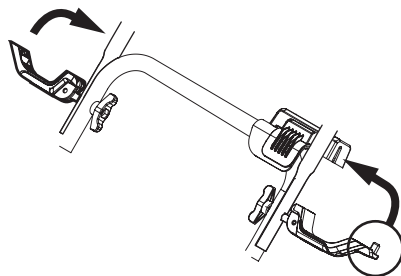


Figure 5

NOTE: If necessary, adjust the wing knob so that the handle lever is tight enough to hold the upper handle in the operation position but loose enough for the handle lever to flip down to unlock the upper handle to be folded down to the storage position.

ASSEMBLY

Chute Assembly

1. Remove the hex washer screws (a) in the chute base (Figure 6).

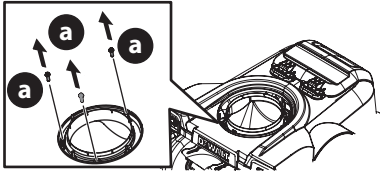


Figure 6

2. Align the holes in the chute base with the three tabs (b) in the lower chute.
3. Secure the chute base with the hex washer screws (a) removed in Step 2 (Figure 7).

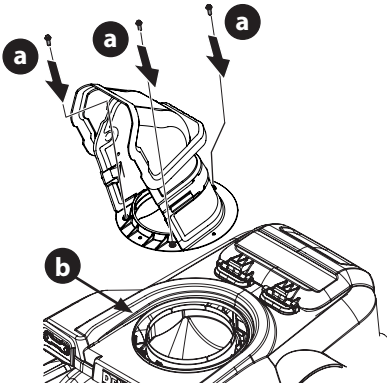


Figure 7

Set-Up

CHECKING THE BATTERY CHARGE LEVEL

Press the charge meter button on the battery (Figure 8). The number of lights that illuminate will indicate the current charge level of the battery. If all three lights are dark, charge the battery before any further use. Refer to Charging a Battery on page 8.

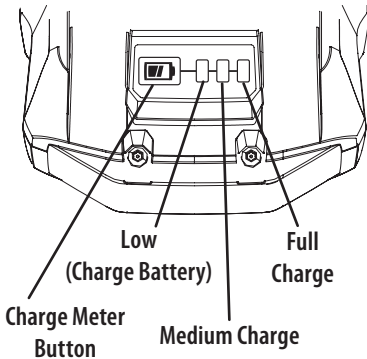


Figure 8

NOTE: While in use, lithium-ion batteries provide power with minimal power fade. When the battery is fully discharged, it will immediately cut power to the snow blower and require charging.

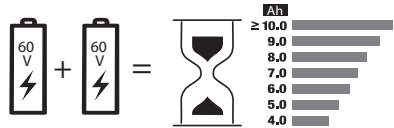
⚠ WARNING

Do not expose the snow blower to rain or wet conditions.

INSTALLING BATTERY

IMPORTANT: Only use DeWalt Flexvolt battery system batteries (DCB612 recommended) with this snow blower.

NOTE: The snow blower can operate with a single, fully charged battery but it is not recommended as it will result in less run time and reduced performance.



1. Lift up the battery housing lid.
2. Slide one battery (a) into the battery port (b) so that the battery indicator light faces up from the battery port (Figure 9).
3. Push the battery firmly until the battery locks into place. There should be an audible "click" when the battery is in position.

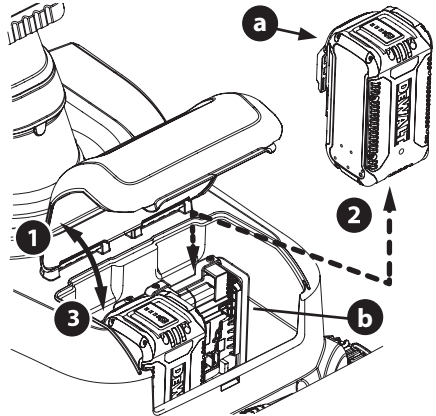


Figure 9

4. Repeat STEPS 2 and 3 to install a second battery into the remaining battery port.
5. Close battery housing lid and ensure the battery housing lid snaps into the shroud.

OPERATION

Model Features

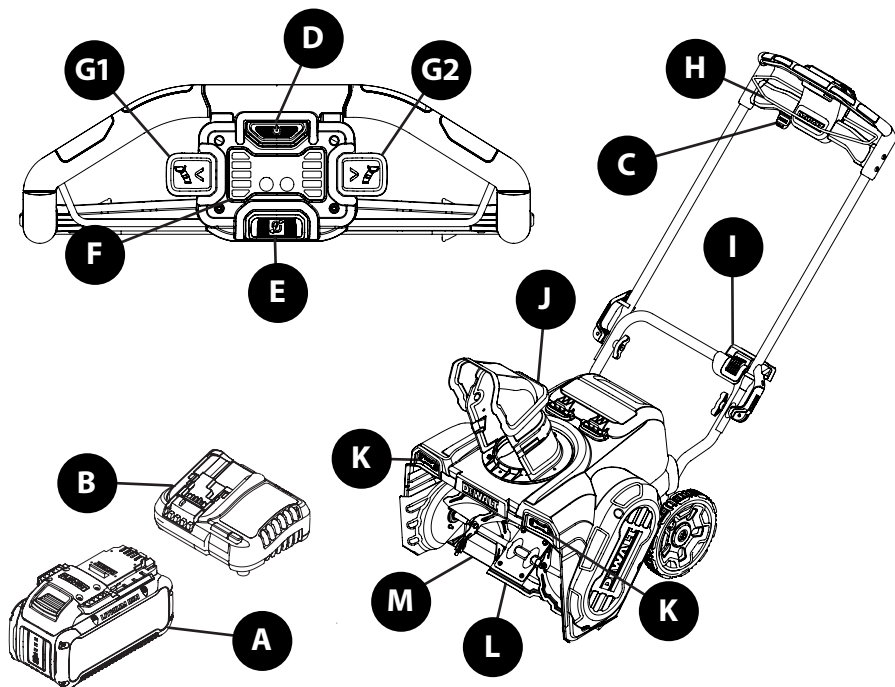


Figure 10

FEATURES

Snow blower controls and features are described below and illustrated above (Figure 10).

NOTE: This Operator's Manual covers several models. Snow blower features may vary by model. Not all features in this manual are applicable to all snow blower models and the snow blower depicted may differ from yours.

NOTE: All references to the left or right side of the snow blower are from the operator's position. Any exceptions will be noted.

A. BATTERY (IF EQUIPPED)

The batteries are used to power the snow blower.

NOTE: Select models are sold as snow blower only. Batteries are available separately.

B. BATTERY CHARGER (IF EQUIPPED)

The battery charger is used to charge batteries.

NOTE: Select models are sold as snow blower only. Battery chargers are available separately.

C. SAFETY KEY

The safety key is a safety device. It must be fully inserted in order for the motor to start. Remove the safety key when the snow blower is not in use.

D. START BUTTON

Turns power on/off to the snow blower motor.

E. MODE BUTTON

The mode button is used to cycle through the Three operational modes of the snow blower:

1. Eco Mode - Reduces auger speed and power to increase battery run time in light snow conditions.

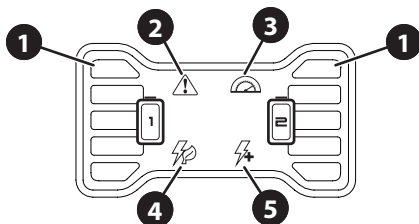
2. Standard Mode- Normal operating speed and power, used for most applications.

NOTE: The snow blower will start in standard mode.

3. Max Power Mode - Increases auger speed and power. Used in heavy, wet snow conditions. This mode will reduce run time.

F. INDICATOR PANEL

The indicator panel provides the following information:



OPERATION

1. Battery indicators - shows if a battery is installed in one or both of the battery slots and how much charge each battery has. When all indicator lights are lit the battery is at full charge. As the battery is discharging, the indicator lights will lower. When bottom battery indicator light begins to flash, the battery(ies) are nearing complete discharge.

NOTE: Battery Fault Indicator - Battery indicators will flash when a battery fault is detected. Stop motor and remove safety key and battery(ies). Reinstall battery(ies) and safety key. Start then stop the motor. If problem persists, contact an authorized service center.

2. Fault indicator - Indicates an error with the snow blower and will be shutting down.

- **Blinking Indicator** - Snow blower is overheating from being over worked. Release auger control bail and allow snow blower to cool before continuing.
- **Steady Indicator** - Error or Failure in Electronics, motor or battery and snow blower will shut down. Stop motor and remove safety key and battery(ies). Reinstall battery(ies) and safety key. Start then stop the motor. If problem persists, contact an authorized service center.

3. Heavy Load Indicator - Indicates the snow blower is in a high load condition that will result in a lower run time. Pause moving the snow blower forward. When the heavy load indicator light goes out, Slowly move forward to continue removing snow.

4. Eco Mode indicator - Shows eco mode is active. Reduced auger speed to extend runtime.

NOTE: Snow blower will cycle into standard mode (no indicator lights will be lit) before going into max power mode.

5. Max Power Mode indicator - Shows max power mode is active. - Increased auger speed to remove heavier snow. Reduces run time.

G. CHUTE DIRECTION CONTROLS

The left side (G1) and a right side (G2) chute direction controls are used to rotate the chute. Depress the right or left side chute direction controls to rotate the chute assembly to the left or right. Release the switch at desired position.

NOTE: Chute will also stop rotating when the chute has rotated through full range of motion.

H. AUGER CONTROL BAIL

The auger control bail is used to engage or disengage the auger. Squeeze the auger control bail against the upper handle and press the start button to engage the auger, release the bail to disengage.

I. HANDLE SENSOR

The handle sensor is located on the lower handle and detects if the handle is completely folded or locked into the upright position. The snow blower will not operate unless the handle is in the full upright position.

J. MANUAL CHUTE PITCH

Tilt the upper chute assembly up or down to adjust the angle (pitch) and distance that snow is blown.

K. HEADLIGHTS

The headlights (front of snow blower) will remain ON when the snow blower is running.

L. AUGER

When engaged, the auger rotation draws snow into the auger housing and blows it out the chute assembly.

M. SHAVE PLATE

The shave plate maintains contact with the pavement as the snow blower is pushed, allowing snow close to the pavement's surface to be discharged.

Using The Snow Blower

TURNING ON THE SNOW BLOWER

1. Insert the safety key (a) into lower edge of the upper handle until it snaps in place (Figure 11).
2. Pull the auger control bail against the upper handle.
3. Press the start button (b).

NOTE: Press the start button within 3 seconds of pulling the auger control bail against the upper handle. If the snow blower does not start, release the auger control bail and repeat STEPS 2-3.

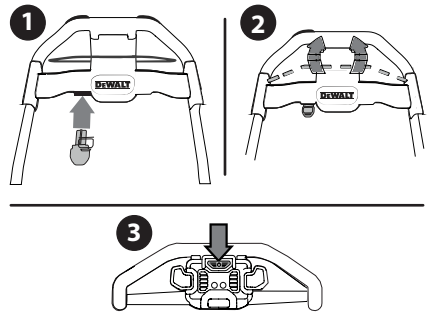


Figure 11

ENGAGING THE AUGER

To engage the auger and start throwing snow, squeeze the auger control bail against the upper handle and press the start button. Release the auger control bail to stop the auger (Figure 11).

OPERATION

TURNING OFF THE SNOW BLOWER

1. Release the auger control bail to stop the motor and auger (Figure 11).
2. Remove the safety key if snow blower is to be left unattended

ADJUSTING AUGER SPEED/POWER LEVEL

NOTE: The snow blower will start in standard mode.

The mode button is used to cycle through the Three operational modes of the snow blower (Figure 12).

1. Press the mode button (a) to change from the standard Mode to the max power mode. Max power mode indicator (b) lights up.
2. Press the mode button again to change from max power mode to eco mode. Max power mode indicator goes out and the eco mode indicator (c) lights up.
3. Press the mode button again to change from eco mode to standard mode. Both eco and max power mode indicators will go out.

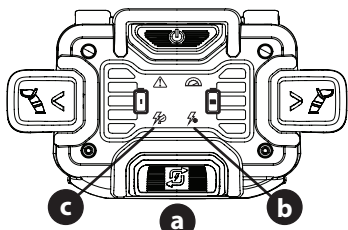


Figure 12

Adjusting the Chute Direction and Pitch

NOTE: The Chute must be rotated to the left or right before folding the handle.

CHUTE DIRECTION

- Rotating Chute to The Left - Press and hold the left side chute direction control (b) until the desired position has been achieved. Release the left side chute direction control.
- Rotating Chute to The Right - Press and hold the right side chute direction control (a) until the desired position has been achieved. Release the right side chute direction control.

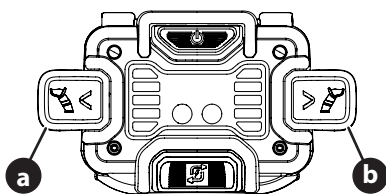


Figure 13

CHUTE PITCH

NOTE: Chute pitch controls the angle and distance of how far snow is blown.

1. Loosen wing nut (a) (Figure 14).
2. Pivot the upper chute assembly upward or downward to desired position.
3. Tighten wing nut.

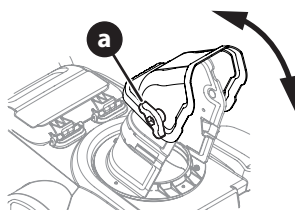


Figure 14

REMOVING THE BATTERY(IES)

IMPORTANT: Recommended use with two DCB612 batteries.

When one or both batteries need to be charged, follow the steps below to remove them:

1. Lift up the battery housing lid.
2. Push in the battery release tab (a).
3. While pushing in the battery release tab, firmly pull the battery (b) out from the battery port (c).

NOTE: If necessary, repeat STEPS 2 and 3 to remove the remaining battery from the snow blower.

NOTE: To replace with charged battery, refer to Installing Battery on page 11.

4. Close battery housing lid.

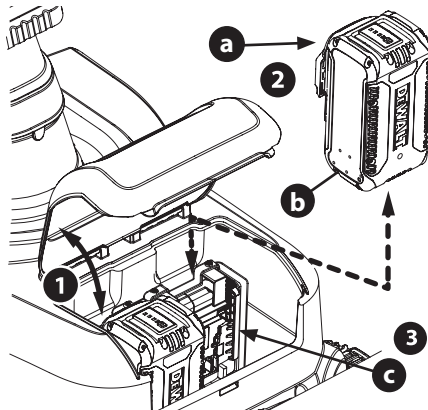


Figure 15

5. Repeat STEPS 2 and 3 to remove the second battery.
6. Close battery housing lid.

OPERATION

Folding and Unfolding the Handle

NOTE: When folding or unfolding the handle, if necessary, adjust the wing knobs so that the handle levers are tight enough to hold the upper handle in the operation position but loose enough for the handle lever to flip down to unlock the upper handle to be folded down to the storage position.

1. Rotate the chute completely to the right or left. Refer to Adjusting the Chute Direction and Pitch on page 14.
2. Flip the two handle levers down to the Unlocked position (Figure 16).

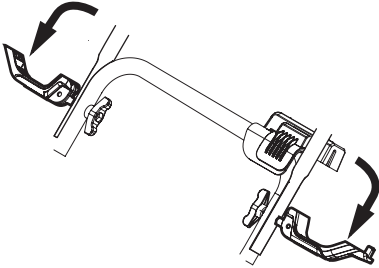


Figure 16

3. Pivot the upper handle down to the folded position. Be sure not to pinch any of the cables in the process (Figure 17).
4. Flip the two handle levers (unlocked in STEP 2) into the locked position.
5. Reverse STEPS 1-4 to unfold the handle.

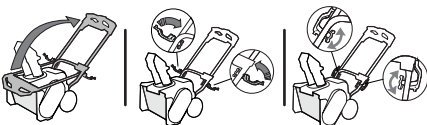
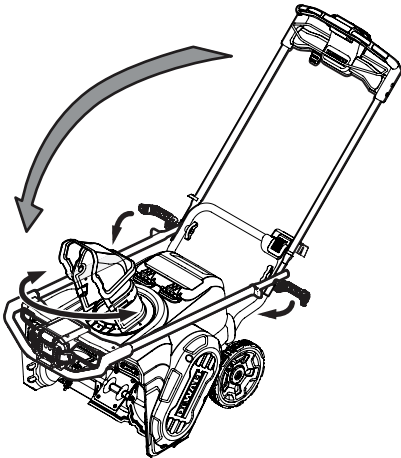


Figure 17

Clearing a Clogged Chute Assembly

⚠ WARNING

Never use your hands to clear a clogged chute assembly. Shut OFF motor and remain behind handles until all moving parts have stopped before using the clean-out tool to clear the chute assembly.

Hand contact with the rotating auger inside the chute assembly is the most common cause of injury associated with snow blowers. Never use your hand to clean out the chute assembly.

To clear the chute (Figure 18):

1. TURN THE SNOW BLOWER OFF.
2. Remove safety key.
3. Wait 10 seconds to be sure the auger has stopped rotating.

IMPORTANT: Always use a clean-out tool (Part No. 931-2643), not your hands. Refer to the separate supplement for clean-out tool ordering information.

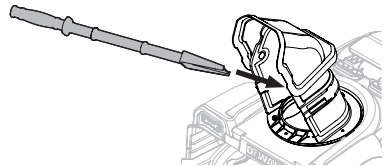
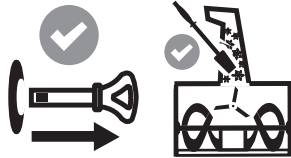


Figure 18

PRODUCT CARE

WARNING

Before servicing, repairing or inspecting the snow blower, disengage the auger control bail. Stop the motor and remove safety key to prevent unintended starting.

Troubleshooting

BATTERY WILL NOT CHARGE

1. The battery charger is not plugged in.
 - Plug the battery charger into a 120V 60hz AC source.
2. The battery is not fully inserted into the battery charger.
 - Remove and then reinsert the battery into the battery charger.
3. The battery and/or charger are too hot or too cold.
 - Make sure the battery and charger are in an environment between 32° and 104° F (0° and 40° C). Allow time for the battery and/or charger to warm up or cool down.
4. The battery and/or charger are no longer functional.
 - Refer to the Warranty Supplement for replacement information.

SNOW BLOWER FAILS TO START

1. Safety key not inserted into starter housing.
 - Insert safety key fully into starter housing.
2. Auger control disengaged.
 - Engage auger control bail.
3. Starting procedure incomplete or performed out of order.
 - Press auger control bail against the handle then press the start button to start motor.
4. Battery discharged.
 - Charge battery.
5. The battery is not installed correctly.
 - Remove safety key and battery(ies). Reinstall battery(ies) and safety key.
6. Handle lock lever not fully engaged with handle sensor.
 - Ensure handle lock lever is completely in the locked position and nub of handle lock lever is engaged with the handle sensor.

BATTERY DIES QUICKLY

1. The battery is not fully charged.
 - Charge the battery completely.
2. The battery and/or charger are no longer functional.
 - Refer to the Warranty Supplement for replacement information.

3. Using unit outside temperature range.

- Battery(ies) too hot - Allow battery to cool.
- Battery(ies) too cold - Bring battery(ies) inside to warm up to room temperature.

SNOW BLOWER STOPS WHILE REMOVING SNOW

1. Battery discharged or lacks sufficient charge.
 - Charge battery completely.
2. Chute assembly clogged.
 - Stop motor and remove safety key. Clean chute and inside of the auger housing with clean-out tool.
3. Battery is over heated.
 - Allow battery to cool.
4. Using unit outside temperature range.
 - Battery(ies) too hot - Allow battery to cool.
 - Battery(ies) too cold - Bring battery(ies) inside to warm up to room temperature.

EXCESSIVE VIBRATION

1. Loose parts or damaged auger.
 - Stop motor immediately and remove safety key and battery(ies). Check for possible damage. Tighten all nuts and bolts. Repair as needed. If the problem persists, contact an authorized service center.

AUGERS CONTINUE TO ROTATE

1. Potential electrical issue.
 - Stop motor and remove safety key and battery(ies). Reinstall battery(ies) and safety key. Start then stop the motor. If problem persists, contact an authorized service center.

FAILS TO DISCHARGE SNOW

1. Chute assembly clogged.
 - Stop motor and remove safety key. Clean chute and inside of the auger housing with clean-out tool.
2. Foreign object lodged in auger.
 - Stop motor immediately and remove safety key. Remove the object from auger.
3. Auger drive belt loose or damaged.
 - Replace auger drive belt. See Replacing the Auger Drive Belt in the Service section.

Maintenance

OFF-SEASON STORAGE

If the snow blower will not be used until next season, follow the storage instructions below.

1. Remove safety key and battery(ies).
2. Store in a clean, dry area.

PRODUCT CARE

3. Use air or a dry rag to clean the outside of the snow blower, battery and battery charger.

IMPORTANT: DO NOT wash the snow blower with water. The warranty will be voided if water is used on the snow blower.

IMPORTANT: When storing the snow blower or when it is not being serviced, it is to remain in the upright position with both wheels and auger housing on the ground.

NOTE: Refer to Battery Charger Operator's Manual for information on storing your batteries.

4. Fold Handle.

Service

REPLACING THE AUGER DRIVE BELT

1. Ensure the snow blower is turned off and the safety key is removed.
2. Remove battery(ies).
3. Remove the four hex washer screws (a) that secure the belt cover (b) to the motor plate (Figure 19). Remove the belt cover.

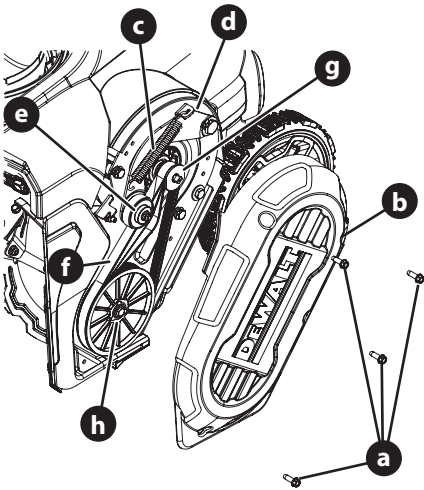


Figure 19

4. Using a needle nose pliers or spring puller, release tension on idler pulley spring (c) and disconnect the idler pulley spring from the idler pulley bracket (d).
5. Lift the idler pulley (e) and remove the belt (f).
6. Route the new auger belt around the drive pulley (g) and under the idler pulley.
7. Route the end of the belt around the auger pulley (h).
8. Reconnect the idler pulley spring to the idler pulley bracket.
9. Reinstall the belt cover removed in Step 3.

REPLACING SHAVE PLATE

NOTE: The shave plate is attached to the bottom of the auger housing and is subject to wear. It should be checked periodically.

1. Ensure the snow blower is turned off and the safety key is removed.
2. Remove battery(ies).
3. Tip the snow blower back until it rests on the handles.
4. Remove the four star screws (a) securing the shave plate (b) to the auger housing (c) (Figure 20).

NOTE: the two center star screws also secures the bottom shroud to the auger housing.

5. Remove the existing shave plate.
6. Install the new shave plate.
7. Using the star four screws removed in STEP 4, secure the new shave plate and bottom support plate to the auger housing.

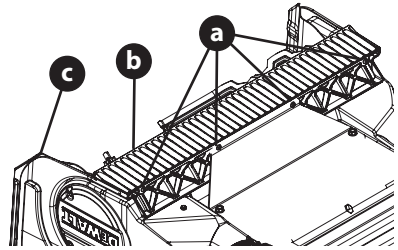


Figure 20

Battery Disposal

THE RBRC® SEAL

The RBRC® (Rechargeable Battery Recycling Corporation) Seal on the nickel cadmium, nickel metal hydride or lithium-ion batteries (or battery packs) indicates that the costs to recycle these batteries (or battery packs) at the end of their useful life have already been paid by the manufacturer. In some areas, it is illegal to place spent nickel cadmium, nickel metal hydride or lithium-ion batteries in the trash or municipal solid waste stream and the Call 2 Recycle® program provides an environmentally conscious alternative.

Call 2 Recycle, Inc., in cooperation with the manufacturer and other battery users, has established the program in the United States and Canada to facilitate the collection of spent nickel cadmium, nickel metal hydride or lithium-ion batteries. Help protect our environment and conserve natural resources by returning the spent nickel cadmium, nickel metal hydride or lithium-ion batteries to an authorized service center or to your local retailer for recycling. You may also contact your local recycling center for information on where to drop off the spent battery. RBRC® is a registered trademark of Call 2 Recycle, Inc.



PRODUCT CARE

Three Year Limited Warranty

DeWALT will repair or replace, without charge, any defects due to faulty materials or workmanship for three years from the date of purchase. This warranty does not cover part failure due to normal wear or tool abuse. For further detail of warranty coverage and warranty repair information, visit www.dewalt.com or call 1-800-4-DeWALT (1-800-433-9258). This warranty does not apply to accessories or damage caused where repairs have been made or attempted by others. THIS LIMITED WARRANTY IS GIVEN IN LIEU OF ALL OTHERS, INCLUDING

THE IMPLIED WARRANTY OF MERCHANTABILITY AND FITNESS FOR A PARTICULAR PURPOSE, AND EXCLUDES ALL INCIDENTAL OR CONSEQUENTIAL DAMAGES. Some states do not allow limitations on how long an implied warranty lasts or the exclusion or limitation of incidental or consequential damages, so these limitations may not apply to you. This warranty gives you specific legal rights and you may have other rights which vary in certain states or provinces. In addition to the warranty DeWALT tools are covered by our:

1 YEAR FREE SERVICE

DeWALT will maintain the tool and replace worn parts caused by normal use, for free, any time during the first two years after purchase.

2 YEARS FREE SERVICE ON DEWALT BATTERY PACKS

DC9071, DC9091, DC9096, DC9182, DC9280, DC9360, DCB120, DCB122, DCB124, DCB127, DCB201, DCB203BT, DCB207, DCB361

3 YEARS FREE SERVICE ON DEWALT BATTERY PACKS

DCB200, DCB203, DCB204, DCB204BT, DCB205, DCB205BT, DCB206, DCB208, DCB230, DCB240, DCB606, DCB609, DCB612

NOTE: Battery warranty voided if the battery pack is tampered with in any way. DeWALT is not responsible for any injury caused by tampering and may prosecute warranty fraud to the fullest extent permitted by law.

90 DAY MONEY BACK GUARANTEE

If you are not completely satisfied with the performance of your DeWALT Power Tool or Nailer for any reason, you can return it within 90 days from the date of purchase with a receipt for a full refund – no questions asked.

LATIN AMERICA: This warranty does not apply to products sold in Latin America. For products sold in Latin America, see country specific warranty information contained in the packaging, call the local company or see website for warranty information.

FREE WARNING LABEL REPLACEMENT: If your warning labels become illegible or are missing, call 1-800-4-DeWALT (1-800-433-9258) for a free replacement.

Replacement Parts

Part Number	Description
BD-NA262050	Safety key
754P07144	Auger belt
BD-NA171659	Wheels
BD-NA110007	Battery Model DCB612
BD-N878449	Battery charger Model DCB1104

Accessories

Part Number	Description
931-2643	Chute Clean-out Tool

Definiciones: Símbolos y palabras de alertas de seguridad

Este manual de instrucciones utiliza los siguientes símbolos y palabras de alerta de seguridad para alertarlo sobre situaciones peligrosas y riesgos de sufrir lesiones personales o daños en la propiedad.

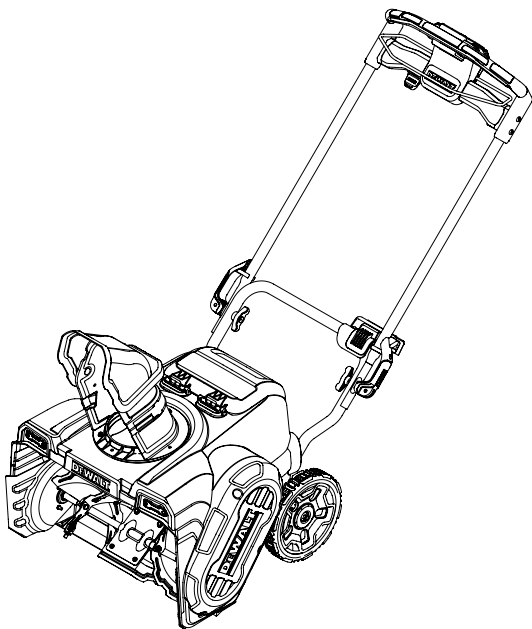
! **PELIGRO:** indica una situación inminentemente peligrosa que, si no se evita producirá **la muerte u ocasionará lesiones graves**.

! **ADVERTENCIA:** indica una situación potencialmente peligrosa que, si no se evita, **podría producir la muerte u ocasionar lesiones graves**.

! **PRECAUCIÓN:** indica una situación potencialmente peligrosa que, si no se evita, **puede ocasionar lesiones menores o moderadas**.

(Este símbolo utilizado sin ninguna palabra) indica a un mensaje relacionado con la seguridad.

! **AVISO:** Indica una práctica **no relacionada con las lesiones personales** que, si no se evita, **puede causar daños a la propiedad**.



! **¡ADVERTENCIA!** *Lea todas las advertencias de seguridad y todas las instrucciones.*

Si no se siguen las advertencias y las instrucciones se pueden producir descargas eléctricas, incendio y/o lesiones graves.

NOTA: Este Manual del Operador corresponde a varios modelos. Las características pueden variar según los modelos. No todas las características que se incluyen en este manual se aplican a todos los modelos y el modelo que se ilustra aquí puede diferir del suyo.

Si tiene alguna pregunta respecto de esta o de cualquier otra herramienta DEWALT, llámenos sin cargo al 1-855-971-1123.

PRÁCTICAS DE OPERACIÓN SEGURAS

⚠ ADVERTENCIA



Este símbolo indica instrucciones de seguridad importantes que, de no seguirse, pueden poner en peligro su seguridad personal y/o material y la de otras personas. Lea y cumpla todas las instrucciones de este manual antes de intentar hacer funcionar esta máquina. Si no sigue estas instrucciones, se pueden provocar lesiones personales. Cuando vea este símbolo, ¡PRESTE ATENCIÓN A LA ADVERTENCIA!

⚠ PELIGRO

Esta máquina está diseñada para ser utilizada respetando las prácticas de operación seguras contenidas en este manual. Al igual que con cualquier tipo de equipo motorizado, un descuido o error por parte del operador puede producir lesiones graves. Esta máquina es capaz de amputar dedos, manos y pies y de arrojar residuos. De no respetar las instrucciones de seguridad siguientes, se pueden ocasionar lesiones graves o la muerte.

CAPACITACIÓN

1. Lea, entienda y cumpla todas las instrucciones incluidas en la máquina y en el(los) manual(es) antes de intentar realizar el montaje de la unidad y utilizarla. Guarde este manual en un lugar seguro para consultas futuras y periódicas, así como para solicitar repuestos.
2. Familiarícese con todos los controles y su correcto funcionamiento. Sepa cómo detener la máquina y desactivar los controles rápidamente.
3. No permita nunca que los niños menores de 14 años utilicen esta máquina. Los niños de 14 años en adelante deben leer y entender las instrucciones y las normas de seguridad contenidas en este manual y en la máquina, y deben ser entrenados y supervisados por un adulto.
4. Nunca permita que los adultos operen esta máquina sin recibir antes la instrucción apropiada.
5. Los objetos arrojados por la máquina pueden producir lesiones graves. Planifique el patrón en el que va a ir soplando nieve para evitar que la descarga de material se realice hacia los caminos, los observadores, etc.
6. Mantenga a los observadores, las mascotas y los niños por lo menos a 75 pies de la máquina mientras esté funcionando. Pare la máquina si alguien ingresa al área.

PREPARATIVOS

Revise minuciosamente el área donde se va a usar el equipo. Saque todos los felpudos, periódicos, trineos, tablas, cables y otros objetos extraños con los que podría tropezar o que podrían ser arrojados por la máquina.

1. Para protegerse los ojos utilice siempre anteojos o antiparras de seguridad mientras opera la máquina o mientras la ajusta o repara. Los objetos arrojados que rebotan pueden producir lesiones graves en los ojos.
2. No opere la máquina sin la vestimenta adecuada para estar al aire libre en invierno. No utilice alhajas, bufandas largas u otras prendas sueltas que podrían enredarse en las partes móviles. Utilice un calzado especial para superficies resbaladizas.
3. Desengrane todas las palancas de control antes de arrancar el motor.
4. Nunca intente realizar ajustes mientras el motor está en marcha, excepto en los casos específicamente recomendados en el manual del operador.

FUNCIONAMIENTO

1. No ponga las manos o los pies cerca de las piezas giratorias, en la caja de la barrena o en el conjunto del canal. El contacto con las piezas giratorias puede amputar manos y pies.
2. El asa de control de la barrena es un dispositivo de seguridad. Nunca anule su funcionamiento. De hacerlo la operación de la máquina es riesgosa y puede ocasionar lesiones.
3. El asa de control de la barrena debe funcionar fácilmente en ambas direcciones y regresar automáticamente a la posición desengranada cuando se la suelta.
4. Nunca opere la máquina si falta un conjunto de canal o protección, o si están dañados. Mantenga todas las protecciones y todos los dispositivos de seguridad en su lugar y en buenas condiciones de funcionamiento.
5. El sensor del asa es un dispositivo de seguridad. Asegúrese de que el asa está trabada en la posición vertical y que el núcleo de la palanca del asa izquierda se engrana con la ranura del sensor del asa.
6. No utilice la máquina bajo la influencia de alcohol o drogas.
7. No utilice esta máquina sobre pedregullo. Tenga mucho cuidado y desengrane la barrena al cruzar superficies con grava. Manténgase atento al tráfico y los riesgos ocultos.
8. Tenga cuidado cuando cambie de dirección o cuando opere la máquina en pendientes. No la utilice en pendientes pronunciadas.
9. Planifique el patrón en el que va a ir soplando nieve para evitar que la descarga de material se produzca hacia ventanas, paredes, automóviles, etc. y evitar así posibles daños materiales o lesiones producidas por los rebotes.
10. Nunca dirija la descarga hacia niños, observadores o mascotas ni deje que nadie se pare delante de la máquina.
11. No sobrecargue la capacidad de la máquina tratando de sacar la nieve muy rápidamente. Funcionará de manera más adecuada y segura a la velocidad para la cual fue diseñada.
12. Nunca opere esta máquina si no cuenta con buena visibilidad o luz. No se extienda demasiado. Asegúrese siempre de estar bien afirmado y de no perder el equilibrio. Sostenga el asa con firmeza. Camine, nunca corra.
13. Suelte el asa de control de la barrena para desactivar el suministro de energía a la barrena al transportar la unidad o cuando no esté quitando nieve.

PRÁCTICAS DE OPERACIÓN SEGURAS

14. Nunca opere la máquina a altas velocidades de desplazamiento sobre superficies resbaladizas. Mire hacia abajo y hacia atrás, y tenga cuidado cuando vaya marcha atrás.
15. Después de golpear un objeto extraño o si la máquina comenzara a vibrar de un modo extraño, pare el motor, saque la llave de seguridad. Revise cuidadosamente para detectar daños. Repare cualquier daño antes de encender el motor y operar la máquina.
16. Desengrane el asa de control de la barrena, pare el motor, y saque la llave de seguridad antes de salir de la posición de operación (detrás de las asas). Espere a que la barrena se detenga por completo antes de destapar el conjunto del canal o de realizar ajustes o inspecciones.
17. Nunca ponga las manos en las aberturas de descarga o de recolección. Utilice siempre una herramienta de limpieza para eliminar la obstrucción en la abertura de descarga. Desengrane el asa de control de la barrena, pare el motor, y saque la llave de seguridad. Antes de destapar, permanezca detrás de las asas hasta que todas las piezas móviles se hayan detenido.
18. Use sólo uniones y accesorios aprobados por el fabricante (por ejemplo, pesas para las ruedas, cadenas para los neumáticos, cabinas, etc.). El uso de accesorios o acoplamientos no autorizados puede aumentar el riesgo de lesiones.
19. Si se presentan situaciones que no están previstas en este manual, tenga cuidado y use el sentido común. Póngase en contacto con Asistencia al Cliente para solicitar ayuda y el nombre del distribuidor de servicio más cercano.
4. Las placas de raspado del soplador de nieve se desgastan y se dañan. Para proteger su seguridad, verifique frecuentemente todos los componentes y reemplácelos sólo con partes de los fabricantes de equipo original (OEM). ¡El uso de piezas que no cumplen con las especificaciones del equipo original podría tener como resultado un rendimiento inadecuado y poner en peligro la seguridad!
5. Revise las palancas de control periódicamente para verificar que engranen y desengranen adecuadamente y ajústelas si es necesario. Consulte la sección de ajustes de este manual del operador para obtener instrucciones.
6. Mantenga o reemplace las etiquetas de seguridad e instrucciones según sea necesario.
7. Antes de almacenar la máquina enciéndala unos minutos para sacar la nieve que haya quedado en la misma y para evitar así que se congele la barrena.
8. Guarde en interiores los sopladores de nieve que no se utilizan: cuando no están en uso, se los debe guardar en interiores, en un lugar seco, bajo llave. Se debe sacar la llave de seguridad y mantenerla alejada del alcance de los niños.
9. De conformidad con la Comisión de Seguridad de Productos de Consumo (CPSC, en inglés), los sopladores de nieve tienen una **Vida útil media** de seis (6) años. Al finalizar la **vida útil media**, haga inspeccionar anualmente esta unidad por un distribuidor de servicio autorizado para cerciorarse de que todos los sistemas mecánicos, eléctricos y de seguridad funcionan correctamente y no tienen excesivo desgaste. Si no lo hace, puede ocasionar accidentes, lesiones graves o la muerte.

PROCEDIMIENTO PARA DESPEJAR UN CANAL DE DESCARGA OBSTRUIDO

El contacto de las manos con el impulsor rotatorio o la barrena que está dentro del canal de descarga es la causa más común de lesiones asociadas con los sopladores de nieve. Nunca use las manos para limpiar el canal de descarga.

Para despejar el canal:

1. ¡APAGUE EL MOTOR!
2. Extraiga la llave de seguridad.
3. Espere 10 segundos para estar seguro de que el impulsor o la barrena haya dejado de rotar.
4. Utilice siempre una herramienta de limpieza, no use las manos.

MANTENIMIENTO Y ALMACENAMIENTO

1. Nunca intente alterar los dispositivos de seguridad. Compruebe regularmente que funcionen correctamente. Remítase a las secciones de mantenimiento y ajuste de este manual.
2. Antes de limpiar, reparar o inspeccionar la máquina, desengrane el asa de control de la barrena, pare el motor, saque la llave de seguridad y saque las baterías. Espere a que la barrena se detenga por completo.
3. Controle a intervalos frecuentes que los pernos y tornillos estén bien apretados para mantener la máquina en condiciones de uso seguro. Además, haga inspecciones visuales de la máquina para verificar si sufrió algún daño.

NO MODIFIQUE LA VELOCIDAD DEL SOPLADOR DE NIEVE

Para evitar lesiones graves o la muerte, no modifique la velocidad del soplador de nieve de ninguna manera. Si se manipula indebidamente la velocidad de funcionamiento, se pueden generar condiciones poco seguras de funcionamiento.

SEGURIDAD ELÉCTRICA EN GENERAL

1. No exponga el soplador de nieve a la lluvia o a condiciones húmedas.
2. No manipule el soplador de nieve con las manos mojadas.
3. Use botas de goma al operar el removedor de nieve.
4. Evite entornos peligrosos. No utilice la unidad bajo la lluvia, en condiciones húmedas ni en superficies mojadas. La humedad constituye un peligro de descarga.
5. Para reducir el riesgo de descarga eléctrica, evite el contacto del cuerpo con elementos conductores con puesta a tierra, por ejemplo, caños metálicos o cercos de alambre.
6. No opere el soplador de nieve en atmósferas explosivas, por ejemplo, en presencia de polvo, gases o líquidos inflamables.

El paquete de baterías no está completamente cargado cuando se saca de la caja. Antes de usar el paquete de baterías y el cargador, lea las instrucciones de seguridad que figuran abajo y luego siga los procedimientos de carga que se indican a continuación. Cuando ordene paquetes de batería de reemplazo, asegúrese de incluir el número de catálogo y voltaje.

PRÁCTICAS DE OPERACIÓN SEGURAS

INSTRUCCIONES IMPORTANTES DE SEGURIDAD PARA TODOS LOS PAQUETES DE BATERÍAS

⚠ ADVERTENCIA

Lea todas las advertencias de seguridad, instrucciones y leyendas de precaución del paquete de baterías, del cargador y del producto. Si no se siguen las advertencias y las instrucciones se pueden producir descargas eléctricas, incendio y/o lesiones graves.

1. No cargue o utilice el paquete de baterías en atmósferas explosivas, por ejemplo, en presencia de polvo, gases o líquidos inflamables. Colocar o sacar el paquete de baterías del cargador puede encender el polvo o los vapores.
2. Cuando el paquete de baterías no está en uso, manténgalo alejado de otros objetos metálicos, como clips para papel, monedas, llaves, clavos, tornillos u otros objetos metálicos pequeños, que pueden establecer una conexión desde un terminal a otro. Si se hace un cortocircuito entre los terminales de las baterías se pueden provocar quemaduras o un incendio.
3. NUNCA fuerce el paquete de baterías dentro del cargador. No modifique el paquete de baterías de ninguna manera para que entre en un cargador no compatible ya que el paquete de baterías puede romperse y provocar graves lesiones personales.
4. Cargue el paquete de baterías solamente en cargadores del fabricante del equipo original.
5. No salpique o sumerja en agua u otros líquidos.
6. No guarde o use la herramienta o paquete de baterías en lugares en los que la temperatura pueda alcanzar o superar los 104 °F (40 °C) (como galpones en el exterior o construcciones de metal en verano). Para una vida mejor guarde los paquetes de baterías en un lugar frío y seco.
7. No incinere el paquete de baterías incluso cuando esté seriamente dañado o completamente agotado. El paquete de baterías puede explotar en el fuego. Cuando los paquetes de baterías de ion de litio se queman se forman vapores y materiales tóxicos.
8. Si el contenido de la batería entra en contacto con la piel, lave la zona de inmediato con un jabón suave y agua. Si el líquido de la batería entra en el ojo, enjuague con agua sobre el ojo abierto durante 15 minutos o hasta que desaparezca la irritación. En caso de requerir atención médica, el electrolito de la batería está compuesto de una mezcla de carbonatos orgánicos y sales de litio líquidos.
9. El contenido de las celdas de las baterías abiertas podría causar irritación de las vías respiratorias. Proporcione aire fresco. Si los síntomas persisten, busque atención médica.

⚠ ADVERTENCIA

Peligro de quemadura. El líquido de la batería podría ser inflamable si se lo expone a chispas o llamas.

⚠ ADVERTENCIA

Peligro de incendio. Nunca intente abrir un paquete de baterías bajo ningún concepto. Si la caja del paquete de baterías está rajada o dañada, no la coloque en el cargador. No aplaste, tire o dañe el paquete de baterías. No utilice un paquete de baterías o un cargador que haya recibido un golpe fuerte, que se haya caído, haya sido arrollado o dañado de alguna manera (p.ej., perforado con un clavo, golpeado con un martillo o pisado). Los paquetes de baterías dañados deberían ser devueltos al centro de servicio técnico para su reciclaje.

INSTRUCCIONES IMPORTANTES DE SEGURIDAD PARA TODOS LOS CARGADORES DE BATERÍAS

⚠ ADVERTENCIA

Lea todas las advertencias de seguridad, instrucciones y leyendas de precaución del paquete de baterías, del cargador y del producto. Si no se siguen las advertencias y las instrucciones se pueden producir descargas eléctricas, incendio y/o lesiones graves.

1. No intente cargar el paquete de baterías con cargadores que no sean el cargador del fabricante original. El cargador y el paquete de baterías del fabricante original están especialmente diseñados para funcionar juntos.
2. Estos cargadores solo están diseñados para cargar baterías recargables del fabricante original. Cualquier otro uso puede ocasionar un riesgo de incendio, descarga eléctrica o electrocución.
3. No exponga el cargador a la lluvia o nieve.
4. Cuando desconecte el cargador tire del enchufe y no del cable. Ello reducirá el riesgo de daño al enchufe y al cable.
5. Asegúrese de que el cable esté ubicado de manera de evitar pisarlo, tropezarse o que de otro modo quede tenso o sujeto a daño.
6. No use un cable prolongador a menos que sea absolutamente necesario. El uso de un cable prolongador inadecuado puede generar riesgo de incendio, descarga eléctrica o electrocución.
7. Cuando utiliza un cargador en el exterior, busque siempre un lugar seco y use un prolongador adecuado para exteriores. El uso de un cable adecuado para exteriores reduce el riesgo de descarga eléctrica.

PRÁCTICAS DE OPERACIÓN SEGURAS

8. Por seguridad, un cable prolongador debe tener un calibre adecuado (AWG o Calibre de Alambre Estadounidense) Cuanto menor el calibre del alambre, mayor la capacidad del cable, es decir, un calibre 16 tiene más capacidad que un calibre 18. Un cable de tamaño insuficiente provocará una caída en el voltaje de la línea que causará pérdida de alimentación y sobrecalentamiento. Cuando use más de un prolongador para conformar el largo total, asegúrese de que cada uno de los prolongadores tenga al menos el calibre mínimo. La siguiente tabla ilustra el calibre correcto que debe usarse en función de la longitud del cable y de la clasificación nominal de amperaje que figura en la placa de identificación. Si está en duda, utilice el cable del calibre más grueso siguiente. A menor calibre, mayor grosor del cable.

CALIBRE MÍNIMO PARA CABLES PROLONGADORES PARA APLICACIONES DE 120 VOLTIOS USANDO 0-6 AMPERES

Longitud del cable (pies)	25	50	100	150
Calibre (AWG)	18	16	16	14

9. No coloque ningún objeto sobre el cargador ni ponga el cargador sobre una superficie blanda que pueda bloquear las ranuras de ventilación y provocar un calentamiento interno excesivo. Coloque el cargador en un sitio alejado de cualquier fuente de calor. El cargador ventila a través de las ranuras que están en la parte superior e inferior del alojamiento.
10. No use el cargador con el cable o enchufe dañados - reemplácelos de inmediato.
11. No use el cargador si sufrió un golpe fuerte, se cayó o se dañó de alguna manera. Llévelo a un centro de servicio técnico autorizado.
12. No desarme el cargador; llévelo a un centro de servicio técnico autorizado cuando se requiera un servicio o una reparación. El rearmado incorrecto puede ocasionar riesgo de una descarga eléctrica, electrocución o incendio.
13. Desconecte el cargador del toma corriente antes de intentar limpiarlo. Esto reducirá el riesgo de una descarga eléctrica. Quitar el paquete de baterías no reducirá este riesgo.
14. NUNCA intente conectar dos (2) cargadores juntos.
15. El cargador está diseñado para funcionar con la corriente eléctrica estándar de una casa de 120V. No intente usarlo con otro voltaje.

⚠ ADVERTENCIA

Peligro de descarga. No permita que ingrese ningún líquido en el cargador. Podría provocar una descarga eléctrica.

⚠ ADVERTENCIA

Peligro de quemadura. No sumerja el paquete de baterías en ningún líquido ni permita que ingrese líquido al paquete de baterías. Nunca intente abrir un paquete de baterías bajo ningún concepto. Si el alojamiento plástico del paquete de baterías se rompe o raja, devuélvalo al centro de servicio técnico para su reciclaje.

⚠ PRECAUCIÓN

Peligro de quemadura. Para reducir el riesgo de lesiones, solo cargue paquetes de baterías recargables del fabricante original. Otros tipos de baterías podrían recalentarse y explotar causando lesiones personales y daños materiales.

⚠ PRECAUCIÓN

Bajo ciertas condiciones, con el cargador enchufado en el tomacorriente, el cargador podría sufrir un cortocircuito por material extraño. Los materiales extraños de naturaleza conductora, como por ejemplo, a manera enunciativa, polvo de amoladora, virutas de metal, lana de acero, papel de aluminio o cualquier acumulación de partículas metálicas deberían mantenerse lejos de las cavidades del cargador. Siempre desenchufe el cargador del tomacorriente cuando el paquete de baterías no está en la cavidad. Desenchufe el cargador antes de intentar limpiarlo.

PRÁCTICAS DE OPERACIÓN SEGURAS

ELIMINACIÓN DE BATERÍAS DAÑADAS O AGOTADAS

⚠ ADVERTENCIA

En la batería de esta unidad se utiliza el siguiente material tóxico y corrosivo:

ION DE LITIO, un material tóxico.

⚠ ADVERTENCIA

Para evitar la contaminación ambiental, póngase en contacto con su agencia local de eliminación de residuos para solicitar instrucciones antes de eliminar baterías de ion de litio dañadas o agotadas. Lleve las baterías a un centro local de reciclaje y/o eliminación que cuente con certificación para la eliminación de baterías de ion de litio.

⚠ ADVERTENCIA

No use baterías rotas o con grietas, aun cuando no tengan pérdidas. Cambie las baterías dañadas o agotadas por baterías nuevas. ¡NO INTENTE REPARAR LAS BATERÍAS! Los intentos de reparación pueden producir lesiones personales graves debido a explosión o descarga eléctrica.

Para evitar lesiones personales y daños ambientales:

1. No intente retirar ni destruir ningún componente de la batería. No abra ni rompa la batería. Si se produce una pérdida, los electrolitos emitidos son corrosivos y tóxicos. No deje que la solución entre en contacto con sus ojos o su piel y no trague solución.
2. No arroje la batería junto con la basura domiciliar normal.
3. No arroje la batería al fuego. La celda puede explotar.
4. No elimine la batería en un lugar donde pase a ser parte de algún relleno sanitario o de los desechos sólidos municipales.
5. Cubra los terminales de la batería con cinta adhesiva reforzada.
6. Deseche la batería de acuerdo con las regulaciones locales, estatales y federales.
7. Elimine la batería sin demora.

Acerca de los sellos de batería Call2Recycle

El programa de auxiliares de la industria Call2Recycle ayuda a los fabricantes de baterías y productos a cumplir los requisitos de reciclaje en los Estados Unidos y Canadá, incluido el cumplimiento de amplias regulaciones estatales, provinciales y federales, por ejemplo, la Ley de Baterías Recargables y con Contenido de Mercurio (la Ley de las Baterías). Los licenciatarios/auxiliares de la industria y los fabricantes y comerciantes de productos y baterías que participan en el programa Call2Recycle® adquieren los derechos de imprimir los sellos de batería Call2Recycle en sus baterías y productos recargables. Cuando usted vea el sello de batería Call2Recycle, puede estar seguro de que su batería o su producto se pueden reciclar en forma segura y responsable.



Acerca de Call2Recycle

Desde 1994 Call2Recycle ha desviado más de 75 millones de libras de baterías recargables de los rellenos sanitarios locales y ha establecido una red de 30,000 lugares donde dejar unidades para reciclaje. Más de 200 fabricantes de productos y/o baterías, auxiliares de la industria Call2Recycle, se han reunido para asegurarse de que se realice el reciclaje responsable de las baterías cuando llegan al fin de su vida útil y solventan el programa que funciona a través de Call2Recycle, Inc., una organización de servicios públicos sin fines de lucro 501(c)4.

Para ubicar el centro de reciclaje más cercano, por favor, comuníquese al 1-800-822-8837.

DECLARACIÓN DE LA FCC (COMISIÓN FEDERAL DE COMUNICACIONES DE LOS EE.UU.)

⚠ ADVERTENCIA




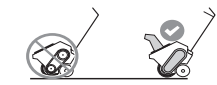





Si se realizan cambios o modificaciones que no estén específicamente aprobadas por el responsable de cumplimiento se podría anular la autoridad del usuario para utilizar el equipo.

NOTA: Este equipo se ha probado y se ha determinado que cumple con los límites para dispositivos digitales Clase B de acuerdo con la parte 15 de las Reglas de la FCC. Estos límites tienen por finalidad suministrar protección razonable contra la interferencia perjudicial en una instalación residencial. Este equipo genera, utiliza y puede irradiar energía de radiofrecuencia y si no se lo instala y utiliza de acuerdo con las instrucciones puede causar interferencia perjudicial en las comunicaciones de radio. Sin embargo, no hay garantía de que no se produzca interferencia en alguna instalación en particular. Si este equipo en efecto causa interferencia perjudicial para la recepción de radio o televisión, lo cual se puede determinar apagando y encendiendo el equipo, se recomienda que el usuario trate de corregir la interferencia a través de una o más de las siguientes medidas:

- Reoriente o reubique la antena de recepción.
- Aumente la separación entre el equipo y el receptor.
- Conecte el equipo a un tomacorriente o circuito diferente a aquel al cual está conectado el receptor.
- Consulte con el distribuidor o con un técnico de radio/TV experimentado para solicitar ayuda.

SÍMBOLOS DE SEGURIDAD

En esta página, se presentan y describen los símbolos de seguridad que pueden aparecer sobre este soplador de nieve. Lea, comprenda y siga todas las instrucciones que aparecen sobre el soplador de nieve antes de intentar armarlo y hacerlo funcionar.

Símbolo	Descripción
 <p>OPESymbol.com</p>	<p>PELIGRO - LEA EL MANUAL DEL OPERADOR: Antes de intentar operar este soplador de nieve, lea, comprenda y respete todas las reglas e instrucciones de seguridad que encontrará en los manuales y sobre el soplador de nieve. Si no cumple con lo que indica esta información, se pueden provocar lesiones personales o la muerte. Conserve este manual en un lugar seguro para usarlo como referencia futura habitual. Con un teléfono inteligente, escanee el símbolo del código de QR para obtener más información sobre las advertencias incluidas en este soplador de nieve. También puede visitar www.OPESymbol.com para obtener más información.</p>
	<p>PELIGRO – EVITE LESIONES DE AMPUTACIÓN, CANAL DE DESCARGA: No coloque las manos cerca o dentro del canal de descarga mientras el motor está en funcionamiento. El contacto con el impulsor rotatorio o la barrena puede resultar en la amputación de dedos y manos. Detenga el motor, quite la llave de seguridad y espere hasta que todas las piezas móviles hayan dejado de rotar. Siempre utilice un utensilio de limpieza para despejar el canal de descarga: nunca lo haga con las manos.</p>
	<p>PRECAUCIÓN – ARROJA OBJETOS: Se debe utilizar únicamente para quitar nieve.</p>
	<p>ADVERTENCIA - ARROJA OBJETOS/EVITE ENREDARSE: No opere el soplador de nieve si no tiene colocadas las protecciones y el canal de descarga.</p>
	<p>PELIGRO - EVITE LESIONES POR OBJETOS ARROJADOS: No camine delante de una máquina en movimiento. No dirija la descarga hacia los observadores.</p>
	<p>PELIGRO - CUCHILLAS GIRATORIAS: Para reducir el riesgo de lesiones, mantenga las manos y los pies alejados. No utilice a menos que el canal de descarga esté colocado en el lugar correcto. Si están dañados, reemplácelos inmediatamente.</p>
	<p>PELIGRO – EVITE LESIONES DE AMPUTACIÓN, CAJA DE LA BARRENA: No coloque las manos ni los pies cerca o dentro de la caja de la barrena mientras el motor está en funcionamiento. El contacto con la barrena puede resultar en la amputación de manos, pies y dedos de manos y pies.</p>
	<p>ADVERTENCIA — DESCARGAS ELÉCTRICAS: Nunca moje con agua o lave el soplador de nieve con la manguera.</p>
	<p>ADVERTENCIA — DESCARGAS ELÉCTRICAS: Retire la batería antes de guardar la unidad o de intentar hacer algún trabajo de reparación o mantenimiento.</p>

⚠ ADVERTENCIA

Su Responsabilidad: Sólo permita que usen esta máquina eléctrica las personas que lean, comprendan y respeten las advertencias e instrucciones que aparecen en este manual y en la máquina - ¡GUARDE ESTAS INSTRUCCIONES!

BATERÍAS Y CARGADORES

El paquete de baterías no está completamente cargado cuando se saca de la caja. Antes de usar el paquete de baterías y el cargador, lea las instrucciones de seguridad en la sección Prácticas de Operación Seguras y luego siga los procedimientos de carga que se indican en esta sección. Cuando ordene paquetes de baterías de reemplazo, asegúrese de incluir el número de catálogo y voltaje.

Notas importantes para la carga

- Se puede obtener una vida más larga y un mejor rendimiento si el paquete de baterías se carga cuando la temperatura del aire está entre (65 °F - 75 °F (18 °C - 24 °C)). No cargar cuando la temperatura del paquete de baterías está por debajo de +40 °F (+4.5 °C), o por encima de +104 °F (+40 °C). Esto es importante y evitará serios daños al paquete de baterías.
- El cargador y el paquete de baterías pueden estar calientes al tacto durante la carga. Esto es normal, y no indica un problema. Para facilitar el enfriamiento del paquete de baterías después de usar, evite poner el cargador o el paquete de baterías en un ambiente cálido, por ejemplo, en un galpón metálico o en un remolque sin aislamiento.
- Si el paquete de batería no carga correctamente:
 - Verifique el funcionamiento del receptáculo enchufando una lámpara u otro dispositivo;
 - Verifique si el receptáculo está conectado a un interruptor de luz que se apaga cuando apaga las luces;
 - Lleve el cargador y el paquete de baterías a un lugar donde la temperatura del aire circundante sea aproximadamente de 65 °F - 75 °F (18 °C - 24 °C);
 - Si el problema de carga persiste, lleve la herramienta, el paquete de baterías y el cargador a su centro de servicio técnico local.
- Cuando la batería no proporciona energía suficiente para tareas que previamente eran muy fáciles debería volverse a cargar. No CONTINÚE usándola bajo estas condiciones. Siga el procedimiento de carga. Cuando lo desee, también puede cargar un paquete usado parcialmente sin efectos adversos para el paquete de baterías.
- Los materiales extraños de naturaleza conductora, como por ejemplo, a manera enunciativa, polvo de amoladora, virutas de metal, lana de acero, papel de aluminio o cualquier acumulación de partículas metálicas deberían mantenerse lejos de las cavidades del cargador. Siempre desenchufe el cargador del tomacorriente cuando el paquete de baterías no está en la cavidad. Desenchufe el cargador antes de intentar limpiarlo.
- No congele ni sumerja el cargador en agua o en algún otro líquido.

Carga de la batería

NOTA: Utilice únicamente cargadores para el sistema de baterías DeWalt Flexvolt (se recomienda el DCB1104) para la carga de las baterías que utiliza este soplador de nieve.

NOTA: Para asegurar el máximo rendimiento y duración de los paquetes de baterías de ion-litio, cargue completamente la batería antes del primer uso.

- Enchufe el cargador en un tomacorriente adecuado antes de insertar el paquete de baterías.
- Conecte el cargador y el paquete de baterías (Figura 1), verificando que la batería esté perfectamente colocada. La luz (de carga) parpadeará continuamente indicando que ha comenzado el proceso de carga.

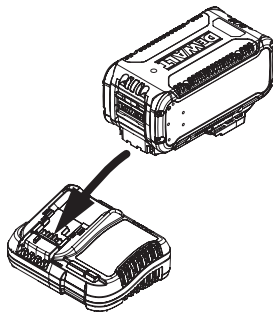








Figura 1

- La luz ENCENDIDA continuamente indicará que la carga está completa. El paquete de batería está totalmente cargado y puede ser retirado y usado en el momento o puede dejarse en el cargador.

NOTA: Para sacar el paquete de baterías, en algunos cargadores es necesario presionar el botón de liberación del paquete de baterías.

Indicadores	
	Carga 
	Totalmente cargada 
	Retardo frío/calor del paquete 

El cargador no cargará un paquete de baterías averiado. Si la luz del cargador no enciende podría ser un indicio de que hay un problema con el cargador.

NOTA: Si la luz del cargador no enciende, lleve el cargador y el paquete de baterías a un centro de servicio técnico autorizado para que lo revisen.

RETARDO FRÍO/CALOR DEL PAQUETE

Cuando el cargador detecta un paquete de baterías que está demasiado caliente o demasiado frío, inicia automáticamente un Retardo frío/calor del paquete, suspendiendo la carga hasta que el paquete de baterías haya alcanzado la temperatura adecuada. Luego el cargador cambia automáticamente al modo de carga del paquete. Esta función garantiza la máxima vida útil de la batería.

Un paquete de baterías frío podría cargar a una velocidad más lenta que un paquete de baterías caliente.

Cuidado de la batería y del cargador de baterías

RECOMENDACIONES PARA EL ALMACENAMIENTO:

1. El mejor lugar de almacenamiento es uno que sea frío y seco, lejos de la luz solar directa y del calor o frío excesivos.
2. Cuando se almacene durante mucho tiempo, se recomienda guardar el paquete de baterías totalmente cargado en un lugar seco fuera del cargador para obtener óptimos resultados.

NOTA: Los paquetes de baterías no deberían guardarse completamente agotados. Se deberá volver a cargar el paquete de baterías antes de usarlo.

INSTRUCCIONES DE LIMPIEZA DEL PAQUETE DE BATERÍAS

Se podrá limpiar la suciedad y grasa del exterior de la batería con un trapo o cepillo suave no metálico. No use agua ni otras soluciones de limpieza.

INSTRUCCIONES DE LIMPIEZA DEL CARGADOR

⚠ ADVERTENCIA

Peligro de descarga. Desconecte el cargador del tomacorriente de CA antes de limpiarlo. Se podrá limpiar la suciedad y grasa del exterior del cargador con un trapo o cepillo suave no metálico. No use agua ni otras soluciones de limpieza.

1. Mantenga el cargador de baterías limpio y sin residuos. No permita el ingreso de material extraño en el conector del cargador (a) o en los bornes (b) (Figura 2). Antes de cada uso inspeccione que el cargador de baterías no tenga material extraño.

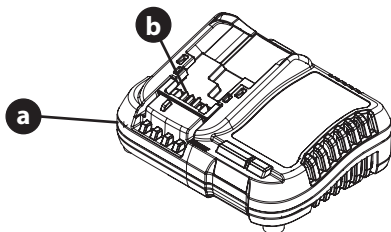


Figura 2

2. Asegúrese de que el cargador no se haya cortocircuitado a causa de residuos. Inspeccione los bornes para detectar hollín y signos de fusión. No intente usar un cargador dañado.

Transporte

⚠ ADVERTENCIA

Peligro de incendio. No almacene ni transporte el paquete de baterías de manera que los bornes de las baterías estén en contacto o expuestos a objetos metálicos. Por ejemplo, no coloque el paquete de baterías en delantales, bolsillos, cajas de herramientas, cajas de conjuntos de productos, cajones, etc., que tengan clavos, tornillos, llaves, etc., sueltos. El transporte de baterías posiblemente pueda provocar incendios si los bornes de la batería entran accidentalmente en contacto con materiales conductores como llaves, monedas, herramientas de mano y similares. Las Regulaciones de Materiales Peligrosos (HMR) del Departamento de Transporte de EE.UU. prohíben actualmente el transporte de baterías en el comercio o en aviones en el equipaje de mano A MENOS que estén correctamente protegidas contra cortocircuitos. Cuando transporte paquetes de baterías individuales, cerciórese de que los bornes de la batería estén protegidos y bien aislados de materiales que podrían entrar en contacto con ellos y provocar un cortocircuito.

NOTA: Las baterías de ion de litio no deberían ponerse en equipaje de bodega.

Información general

- Retire los materiales de empaque del soplador de nieve.
- Gire el asa hasta la posición vertical y trabe las asas en su lugar. Consulte la sección Montaje de la manija.
- Instale el canal. Consulte la sección Opciones de montaje del canal.
- Ensamble el soplador de nieve. Consulte Configuración on page 29.

Herramientas necesarias

- Llave ajustable o juego de llaves de vaso

Montaje

1. Cargue las baterías. Consulte Carga de la batería on page 26.
2. Retire la tuerca (a) y el perno (b) del asa inferior (Figura 3).
3. Con la tuerca y el perno que extrajo en el PASO 3, sujete el sensor (c) al asa inferior.

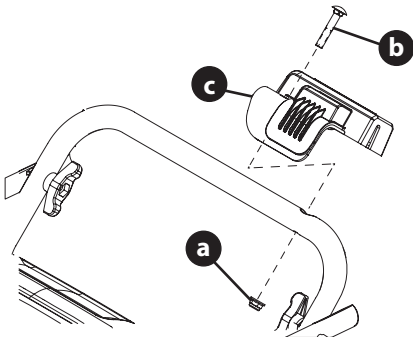


Figura 3

4. Dé vuelta las dos palancas del asa hacia abajo hasta la posición Unlocked (destrabada) (Figura 4).

NOTA: si la palanca del asa no se da vuelta hacia abajo, afloje la perilla de aletas hasta que la palanca del asa se voltee hacia abajo.

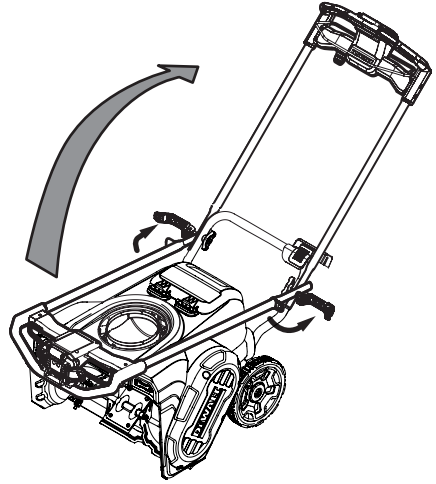


Figura 4

5. Gire la manija superior a la posición de funcionamiento. Asegúrese de no apretar los cables en el proceso (Figura 4).
6. Dé vuelta las dos palancas del asa (que se destrabaron en el PASO 4) hacia arriba hasta la posición en que se bloquean con el fin de sujetar el asa superior en la posición de funcionamiento (Figura 5).

NOTA: asegúrese de que el núcleo de la palanca del asa izquierda se engrana con la ranura del sensor del asa.

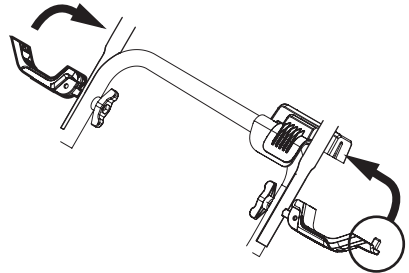


Figura 5

NOTA: si es necesario, ajuste la perilla de aletas de modo que la palanca del asa quede suficientemente ajustada como para sostener el asa superior en la posición de funcionamiento pero suficientemente floja para que la palanca del asa se dé vuelta hacia abajo de modo de destrabar el asa superior para plegarla hacia abajo hasta la posición de almacenamiento.

MONTAJE

Montaje de Canal

1. Extraiga los tornillos de arandela hexagonal (a) de la base del canal (Figura 6).

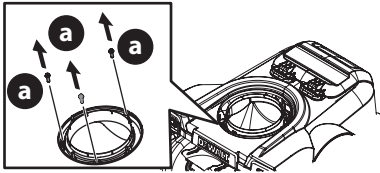


Figura 6

2. Alinee los orificios de la base del canal con las tres lengüetas (b) del canal inferior.
3. Fije la base del canal con los tornillos de la arandela hexagonal (a) quitados en el Paso 2 (Figura 7).

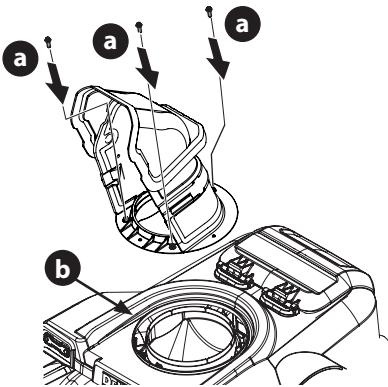


Figura 7

Configuración

CONTROL DEL NIVEL DE CARGA DE LA BATERÍA

Presione el botón del medidor de carga de la batería (Figura 8). El número de luces que se iluminan indicará el nivel de carga actual de la batería. Si las tres luces aparecen oscuras, cargue la batería antes de seguir utilizándola. Consulte Carga de la batería on page 26.

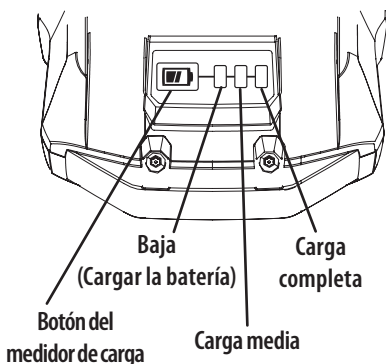


Figura 8

NOTA: mientras se utilizan, las baterías de ion de litio suministran alimentación con un mínimo desvanecimiento. Cuando la batería está totalmente descargada, inmediatamente cortará el suministro de alimentación al soplador de nieve y será necesario realizar la carga.

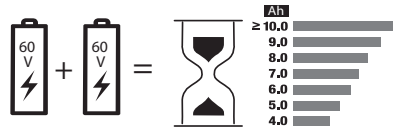
⚠ ADVERTENCIA

No exponga el soplador de nieve a la lluvia o a condiciones húmedas.

INSTALACIÓN DE LA BATERÍA

IMPORTANTE: Utilice únicamente baterías para el sistema de baterías DeWalt Flexvolt (se recomienda el modelo DCB612) con este soplador de nieve.

NOTA: Se puede usar el soplador de nieve con una sola batería completamente cargada pero esto no se recomienda ya que se reducirán el tiempo de funcionamiento y el rendimiento.



1. Levante la tapa del alojamiento de la batería.
2. Deslice una batería (a) dentro del puerto de la batería (b) de modo que la luz indicadora de la batería quede orientada hacia arriba desde el puerto de la batería (Figura 9).
3. Empuje la batería con firmeza hasta que quede trabada en su lugar. Debería escuchar un "clic" cuando la batería esté en su posición.

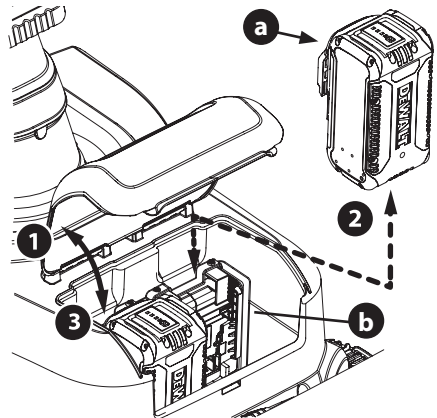


Figura 9

4. Repita los PASOS 2 y 3 para instalar una segunda batería en el puerto para baterías que queda disponible.
5. Cierre la tapa del alojamiento de la batería y compruebe que quede cerrada a presión en el refuerzo.

Características del Modelo

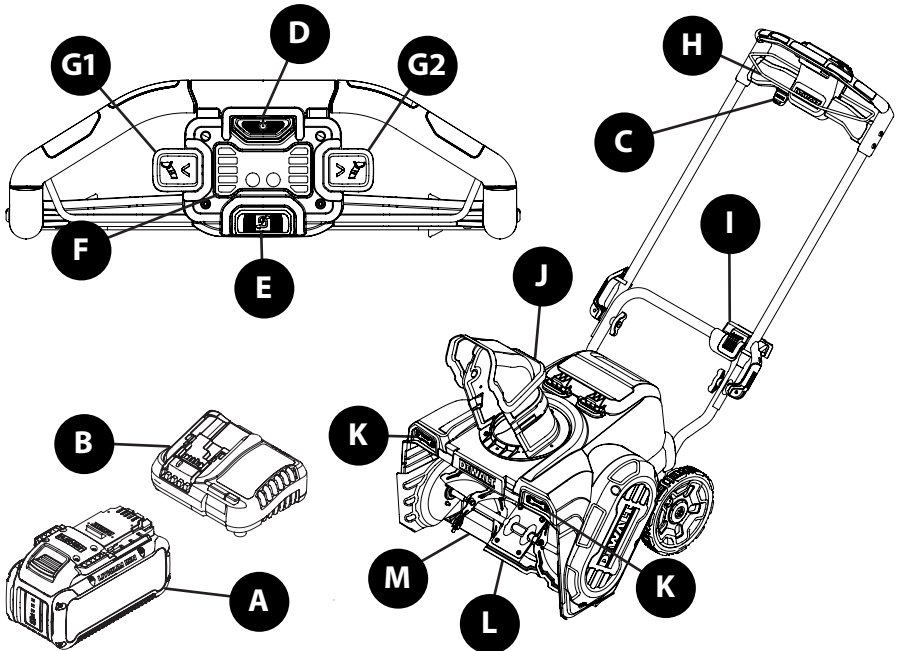


Figura 10

CARACTERÍSTICAS

Los controles y las características del sopleador de nieve se describen a continuación y se ilustran arriba (Figura 10).

NOTA: Este manual de operación corresponde a varios modelos. Las características del sopleador de nieve pueden variar según los modelos. No todas las características en este manual se aplican a todos los modelos de sopleador de nieve y la máquina que se ilustra aquí puede diferir de la suya.

NOTA: Todas las referencias a los lados izquierdo o derecho del sopleador de nieve son desde la posición del operador. En caso de que hubiese una excepción, se especificará claramente.

A. BATERÍA (SI SE INCLUYE)

Las baterías se usan para accionar el sopleador de nieve.

NOTA: Algunos modelos se venden solo como sopleador de nieve. Las baterías están disponibles por separado.

B. CARGADOR DE BATERÍA (SI SE INCLUYE)

El cargador de batería se usa como cargador de baterías.

NOTA: Algunos modelos se venden solo como sopleador de nieve. Los cargadores de baterías están disponibles por separado.

C. LLAVE DE SEGURIDAD

La llave de seguridad es un dispositivo de seguridad. Debe estar completamente insertada para que el motor arranque. Extraiga la llave de seguridad cuando no use el sopleador de nieve.

D. BOTÓN DE ARRANQUE

Enciende/apaga la alimentación de energía al motor del sopleador de nieve.

E. BOTÓN DE MODO

El botón de modo se utiliza para pasar de uno a otro entre los Tres modos de funcionamiento del sopleador de nieve.

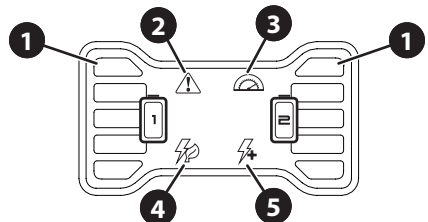
- 1. Modo Eco:** reduce la velocidad y la potencia de la barrena para aumentar el tiempo de funcionamiento de la batería en condiciones con poca nieve.
- 2. Modo estándar:** velocidad de funcionamiento y potencia normales, se utiliza para la mayoría de las aplicaciones.

NOTA: el sopleador de nieve arranca en el modo estándar.

- 3. Modo de potencia máxima:** aumenta la velocidad y la potencia de la barrena. Se usa en condiciones de nieve abundante y húmeda. Con este modo se reduce el tiempo de funcionamiento.

F. PANEL DE INDICADORES

En el panel de indicadores se suministra la siguiente información:



FUNCIONAMIENTO

1. Indicadores de las baterías: indican si hay una batería instalada en una o en ambas ranuras para baterías, y cuánta carga le queda a cada una de ellas. Cuando todas las luces indicadoras están encendidas la batería está con carga completa. Cuando la batería se descarga, baja la intensidad de las luces indicadoras. Cuando la luz indicadora inferior de las baterías empieza a parpadear, significa que la o las baterías están por descargarse completamente.

NOTA: indicador de batería defectuosa: los indicadores de la o las baterías parpadean cuando se detecta que están averiadas. Pare el motor y saque la llave de seguridad y la o las baterías. Vuelva a colocar la o las baterías y la llave de seguridad. Arranque y luego pare el motor. Si el problema persiste, comuníquese con un centro de servicio autorizado.

2. Indicador de averías: indica que el soplador de nieve tiene algún error y se apagará.

- Indicador que parpadea: el soplador de nieve está sobrecalentando por haberlo utilizado excesivamente. Suelte el asa de control de la barrena y deje que el soplador de nieve se enfríe antes de continuar.
- Indicador constante: error o avería en el sistema electrónico, el motor o la batería, y el soplador de nieve se apagará. Pare el motor y saque la llave de seguridad y la o las baterías. Vuelva a colocar la o las baterías y la llave de seguridad. Arranque y luego pare el motor. Si el problema persiste, comuníquese con un centro de servicio autorizado.

3. Indicador de carga pesada: indica que el soplador de nieve está en una condición de carga elevada que reducirá el tiempo de funcionamiento. Ponga en pausa el movimiento del soplador de nieve hacia adelante. Cuando se apaga la luz indicadora de carga pesada, muévalo lentamente hacia adelante para seguir quitando la nieve.

4. Indicador de Modo Eco: señala que el modo eco está activo. Se reduce la velocidad de la barrena para prolongar el tiempo de funcionamiento.

NOTA: el soplador de nieve pasará a modo estándar (no se encenderá ninguna de las luces indicadoras) antes de pasar al modo de potencia máxima.

5. Indicador de modo de potencia máxima: señala que el modo de potencia máxima está activa. - Mayor velocidad de la barrena para quitar la nieve más pesada. Reduce el tiempo de funcionamiento.

G. CONTROLES DE LA DIRECCIÓN DEL CANAL

Se usan el control del lado izquierdo (G1) y el del lado derecho (G2) de la dirección del canal para girarlo. Oprima los controles de la dirección del canal del lado derecho o izquierdo para rotar el conjunto del canal hacia la izquierda o la derecha. Suelte el interruptor en la posición deseada.

NOTA: el canal también dejará de rotar cuando haya girado pasando por el rango completo de movimiento.

H. ASA DE CONTROL DE LA BARRENA

El asa de control de la barrena se utiliza para engranarla o desengranarla. Oprima el asa de control de la barrena contra la manija superior y oprima el botón de arranque para engranar la barrena, suelte el asa para desengranar.

I. SENSOR DEL ASA

El sensor del asa está ubicado en el asa inferior y detecta si el asa está completamente plegada o trabada en la posición vertical. El soplador de nieve no funciona a menos que el asa esté en la posición completamente vertical.

J. INCLINACIÓN MANUAL DEL CANAL

Incline el conjunto del canal superior hacia arriba o abajo para ajustar el ángulo (la inclinación) y la distancia que se sopla la nieve.

K. FAROS DELANTEROS

Los faros (frente del soplador de nieve) permanecerán encendidos cuando el soplador de nieve está en marcha.

L. BARRENA

Cuando está engranada, la rotación de la barrena dirige la nieve dentro de la caja de la barrena y la arroja hacia afuera del conjunto del canal.

M. PLACA DE RASPADO

La placa de raspado mantiene el contacto con el pavimento a medida que se empuja el soplador de nieve, permitiendo que se descargue la nieve que está cerca de la superficie del pavimento.

Cómo usar el soplador de nieve

CÓMO ENCENDER EL SOPLADOR DE NIEVE

- Inserte la llave de seguridad (a) en el borde inferior de la manija superior hasta que quede a presión en su lugar (Figura 11).
- Oprima el asa de control de la barrena contra la manija superior.
- Oprima el botón de arranque (b).

NOTA: oprima el botón de arranque dentro de los 3 segundos de jalar del asa de control de la barrena contra la manija superior. Si el soplador de nieve no arranca, suelte el asa de control de la barrena y repita los PASOS 2 a 3.

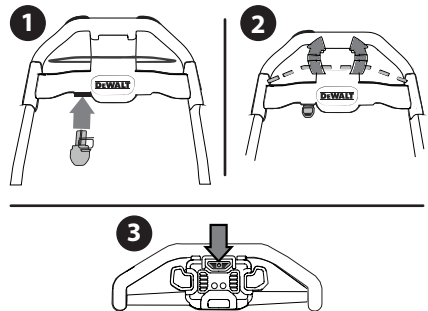


Figura 11

ACTIVACIÓN DE LA BARRENA

Para engranar la barrena y comenzar a quitar la nieve, apriete el asa de control de la barrena contra la manija superior y oprima el botón de arranque. Suelte el asa de control de la barrena para detenerla (Figura 11).

CÓMO APAGAR EL SOPLADOR DE NIEVE

- Suelte el asa de control de la barrena para detener el motor y la barrena (Figura 11).
- Retire la llave de seguridad si desea dejar el soplador de nieve sin supervisión.

FUNCIONAMIENTO

AJUSTE DEL NIVEL DE VELOCIDAD/POTENCIA DE LA BARRENA

NOTA: el soplador de nieve arranca en el modo estándar.

El botón de modo se usa para pasar por los Tres modos de funcionamiento del soplador de nieve (Figura 12).

1. Oprima el botón de modo (a) para cambiar del modo estándar al modo de potencia máxima. Se enciende el indicador del modo de potencia máxima (b).
2. Oprima el botón de modo nuevamente para cambiar del modo de potencia máxima al modo eco. Se apaga el indicador del modo de potencia máxima y se enciende el indicador de modo eco (c).
3. Oprima el botón de modo nuevamente para cambiar del modo eco al modo estándar. Se apagan los indicadores de modo de potencia máxima y eco.

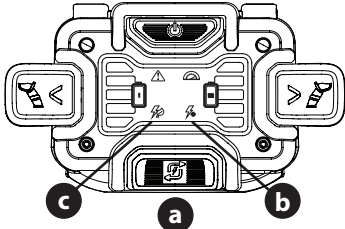


Figura 12

Ajuste de la Dirección e Inclinación del Canal

NOTA: Se debe rotar el Canal hacia la izquierda o la derecha antes de plegar la manija.

DIRECCIÓN DEL CANAL

- Cómo girar el canal hacia la izquierda: oprima y mantenga presionado el control de la dirección del canal del lado izquierdo (b) hasta lograr la posición deseada. Suelte el control de la dirección del canal del lado izquierdo.
- Cómo girar el canal hacia la derecha: oprima y mantenga presionado el control de la dirección del canal del lado derecho (a) hasta lograr la posición deseada. Suelte el control de la dirección del canal del lado derecho.

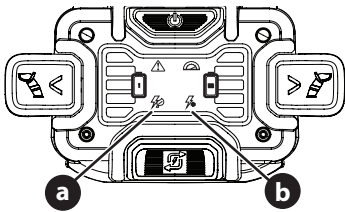


Figura 13

INCLINACIÓN DEL CANAL

NOTA: la inclinación del canal controla el ángulo y la distancia a los que se sopla la nieve.

1. Afloje la tuerca de aletas (a) (Figura 14).
2. Gire el conjunto del canal superior hacia arriba o abajo hasta la posición deseada.
3. Ajuste la tuerca mariposa.

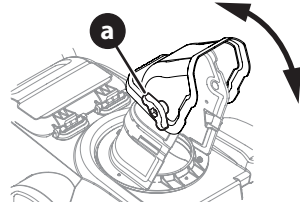


Figura 14

EXTRACCIÓN DE LAS BATERÍAS

IMPORTANTE: Se recomienda usar con dos baterías DCB612.

Cuando una o ambas baterías necesitan ser cargadas, siga los pasos que aparecen a continuación para extraerlas:

1. Levante la tapa del alojamiento de la batería.
2. Presione la lengüeta de liberación de la batería (a).
3. Mientras presiona la lengüeta de liberación de la batería, tire con firmeza de la batería (b) para sacarla del puerto (c).

NOTA: Si fuera necesario, repita los PASOS 2 y 3 para extraer la batería restante del soplador de nieve.

NOTA: Para reemplazar con la batería cargada, consulte la sección Carga de la batería on page 2611.

4. Cierre la tapa del alojamiento de la batería.

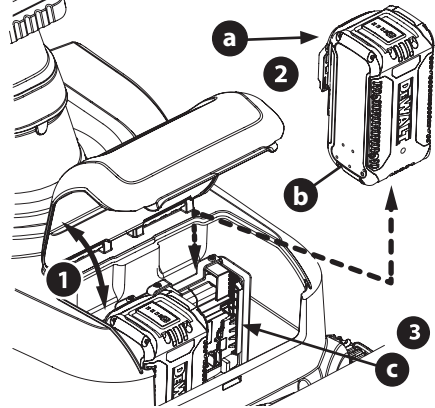


Figura 15

5. Repita los PASOS 2 y 3 para sacar la segunda batería.
6. Cierre la tapa del alojamiento de la batería.

Pliegue y despliegue de la manija

NOTA: al plegar o desplegar la manija, si es necesario, ajuste las perillas de aletas de modo que las palancas del asa queden suficientemente ajustadas como para sostener la manija superior en la posición de funcionamiento pero suficientemente floja para que la palanca de la manija se dé vuelta hacia abajo de modo de destrabar la manija superior para plegarla hacia abajo hasta la posición de almacenamiento.

1. Gire el canal completamente hacia la derecha o la izquierda. Consulte Ajuste de la Dirección e Inclinación del Canal on page 32.
2. Dé vuelta las dos palancas del asa hacia abajo hasta la posición Unlocked (destrabada) (Figura 16).

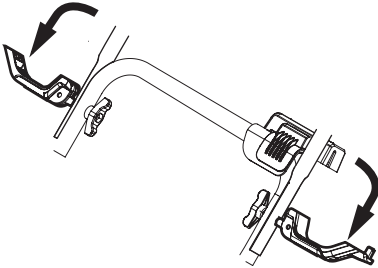


Figura 16

3. Gire la manija superior hacia abajo hasta que queda plegada. Asegúrese de no apretar los cables en el proceso (Figura 17).
4. Dé vuelta las dos palancas del asa (destrabadas en el PASO 2) hasta la posición Locked (trabada).
5. Invierta los PASOS 1 a 4 para desplegar la manija.

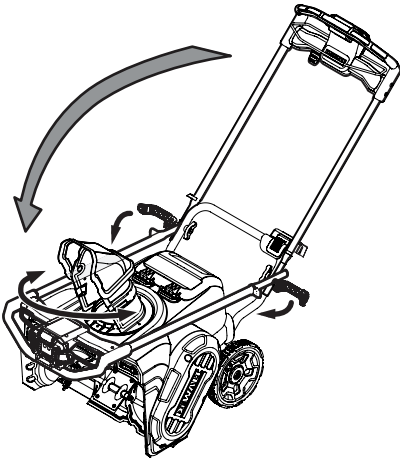


Figura 17

Procedimiento para eliminar la obstrucción de un conjunto de canal tapado

⚠ ADVERTENCIA

Nunca use sus manos para liberar un montaje de canal tapado. Apague el motor y permanezca detrás de las manijas hasta que todas las piezas móviles se hayan detenido antes de utilizar la herramienta de limpieza para despejar el conjunto del canal.

El contacto de las manos con la barrena giratoria que está dentro del conjunto del canal es la causa más común de lesiones asociadas con los sopladores de nieve. Nunca use las manos para limpiar el conjunto del canal.

Para despejar el canal (Figura 18):

1. APAGUE EL SOPLADOR DE NIEVE.
2. Extraiga la llave de seguridad.
3. Espere 10 segundos para estar seguro de que la barrena haya dejado de rotar.

IMPORTANTE: Utilice siempre una herramienta de limpieza (Nº de pieza 931-2643), no use las manos. Consulte el suplemento que se adjunta por separado para obtener la información que se requiere para pedir la herramienta de limpieza.

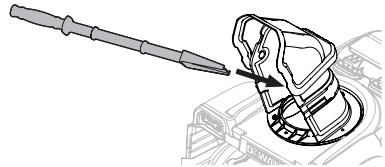
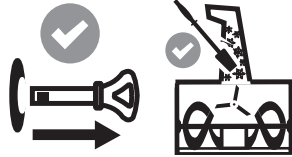


Figura 18

ADVERTENCIA

Antes de realizar tareas de mantenimiento, reparación o inspección en el soplador de nieve, desengrane el asa de control de la barrena. Pare el motor y retire la llave de seguridad para evitar un encendido accidental.

Solución de Problemas

LA BATERÍA NO CARGA

1. El cargador de baterías no está enchufado.
 - Enchufe el cargador de baterías en una fuente de alimentación de CA de 120 V 60 Hz.
2. La batería no está bien insertada en el cargador de baterías.
 - Retire y luego reinserte la batería en el cargador de baterías.
3. La batería y/o el cargador de baterías están demasiado calientes o demasiado fríos.
 - Asegúrese de que la batería y el cargador de baterías están en un ambiente con una temperatura entre 32° y 104 °F (0° y 40 °C). Deje pasar un tiempo para que la batería y/o el cargador se calienten o se enfríen.
4. La batería y/o el cargador de baterías ya no funcionan.
 - Consulte el Suplemento de Garantía para obtener información referida al cambio.

EL SOPLADOR DE NIEVE NO ARRANCA

1. Llave de seguridad no insertada en el alojamiento del arrancador.
 - Inserte la llave de seguridad completamente en el alojamiento del arrancador.
2. Control de la barrena desactivado.
 - Engrane el asa de control de la barrena.
3. Procedimiento de arranque incompleto o realizado en el orden incorrecto.
 - Oprima el asa de control de la barrena contra la manija, luego oprima el botón de arranque para activar el motor.
4. Batería descargada.
 - Cargue la batería.
5. La batería no está bien instalada.
 - Extraiga la llave de seguridad y la o las baterías. Vuelva a colocar la o las baterías y la llave de seguridad.
6. La palanca de bloqueo de la manija no está completamente enganchada con el sensor de la manija.
 - Asegúrese de que la palanca de bloqueo de la manija está completamente en la posición donde queda trabada y que el núcleo de la palanca de bloqueo de la manija esté enganchado con el sensor de la manija.

LA BATERÍA SE DESCARGA RÁPIDAMENTE

1. La batería no está totalmente cargada.
 - Cargue la batería completamente.
2. La batería y/o el cargador de baterías ya no funcionan.
 - Consulte el Suplemento de Garantía para obtener información referida al cambio.

3. Uso de la unidad fuera del rango de temperatura.

- La o las baterías están demasiado calientes - Deje que las baterías se enfríen.
- La o las baterías están demasiado frías - Llévelas a un lugar cerrado para que se calienten hasta tomar la temperatura ambiente.

EL SOPLADOR DE NIEVE SE DETIENE MIENTRAS ESTÁ RETIRANDO NIEVE

1. Batería descargada o con carga insuficiente.
 - Cargue la batería completamente.
2. El conjunto del canal está tapado.
 - Detenga el motor y retire la llave de seguridad. Limpie el canal y el interior de la caja de la barrena con la herramienta de limpieza.
3. La batería recalentó.
 - Deje que la batería se enfríe.
4. Uso de la unidad fuera del rango de temperatura.
 - La o las baterías están demasiado calientes - Deje que las baterías se enfríen.
 - La o las baterías están demasiado frías - Llévelas a un lugar cerrado para que se calienten hasta tomar la temperatura ambiente.

DEMASIADA VIBRACIÓN

1. Hay piezas que están flojas o la barrena está dañada.
 - Pare el motor de inmediato y saque la llave de seguridad y la o las baterías. Controle si la máquina está dañada. Ajuste todos los pernos y las tuercas. Realice las reparaciones necesarias. Si el problema persiste, comuníquese con un centro de servicio autorizado.

LAS BARRENAS SIGUEN GIRANDO.

1. Posible problema eléctrico.
 - Pare el motor y saque la llave de seguridad y la o las baterías. Vuelva a colocar la o las baterías y la llave de seguridad. Arranque y luego pare el motor. Si el problema persiste, comuníquese con un centro de servicio autorizado.

LA UNIDAD NO DESCARGA LA NIEVE.

1. El conjunto del canal está tapado.
 - Detenga el motor y retire la llave de seguridad. Limpie el canal y el interior de la caja de la barrena con la herramienta de limpieza.
2. Hay un objeto extraño en la barrena.
 - Detenga el motor de inmediato y retire la llave de seguridad. Retire el objeto de la barrena.
3. La correa de transmisión de la barrena está floja o dañada.
 - Reemplace la correa de transmisión de la barrena. Consulte Reemplazo de la correa de transmisión de la barrena en la sección Servicio.

Mantenimiento

ALMACENAMIENTO FUERA DE TEMPORADA

Si el soplador de nieve no se usará hasta la próxima temporada, siga las instrucciones de almacenamiento de abajo.

1. Extraiga la llave de seguridad y la o las baterías.
2. Guárdelas en un lugar limpio y seco.

CUIDADO DEL PRODUCTO

- Use aire o un trapo seco para limpiar la parte exterior del soplador de nieve, la batería y el cargador de baterías.

IMPORTANTE: NO lave el soplador de nieve con agua. Si moja el soplador de nieve con agua la garantía quedará anulada.

IMPORTANTE: Cuando se almacena el soplador de nieve o cuando no se le está realizando un servicio, debe permanecer en posición vertical con ambas ruedas y la caja de la barrena sobre el suelo.

NOTA: consulte el Manual del Operador del cargador de baterías para obtener información sobre cómo almacenar las baterías.

- Pliegue la manija

Servicio

REEMPLAZO DE LA CORREA DE TRANSMISIÓN DE LA BARRENA

- Asegúrese de que el soplador de nieve esté apagado y de que se haya extraído la llave de seguridad.
- Retire la o las baterías.
- Extraiga los cuatro tornillos de la arandela hexagonal (a) que sujetan la cubierta de la correa (b) a la placa del motor (Figura 19). Extraiga la cubierta de la correa.

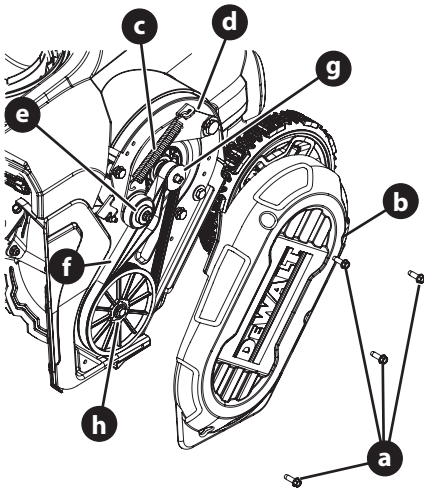


Figura 19

- Con alicates de punta de aguja o un extractor de resortes, afloje la tensión en el resorte de la polea intermedia (c) y desconecte dicho resorte del soporte de esa polea (d).
- Levante la polea intermedia (e) y extraiga la correa (f).
- Pase la nueva correa de la barrena alrededor de la polea de transmisión (g) y por debajo de la polea intermedia.
- Pase el extremo de la correa alrededor de la polea de la barrena (h).
- Reconecte el resorte de la polea intermedia al soporte de la polea intermedia.
- Vuelva a colocar la cubierta de la correa que se retiró en el Paso 3.

REEMPLAZO DE LA PLACA DE RASPADO

NOTA: la placa de raspado está adosada al fondo de la caja de la barrena y sujeta a desgaste. Se la debe controlar periódicamente.

- Asegúrese de que el soplador de nieve esté apagado y de que se haya extraído la llave de seguridad.
- Retire la o las baterías.
- Incline el soplador de nieve hacia atrás hasta que quede apoyado sobre las manijas.
- Extraiga los cuatro tornillos estrella (a) que sujetan la placa de raspado (b) a la caja de la barrena (c) (Figura 20).

NOTA: los dos tornillos estrella centrales también sujetan la cubierta inferior a la caja de la barrena.

- Extraiga la placa de raspado existente.
- Coloque la placa de raspado nueva.
- Con los cuatro tornillos estrella que extrajo en el PASO 4, sujete la nueva placa de raspado y la placa de soporte inferior a la caja de la barrena.

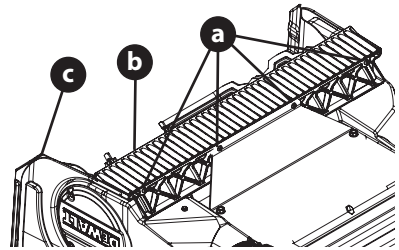


Figura 20

Eliminación de la Batería

EL SELLO RBRC®

El Sello RBRC® (Rechargeable Battery Recycling Corporation) en las baterías (o paquetes de baterías) de níquel cadmio, níquel-metal hidruro o ion de litio indica que el costo de reciclar estas baterías (o paquetes de baterías) al final de su vida útil ya ha sido pagado por el fabricante.

En algunas zonas, es ilegal tirar baterías de níquel cadmio, níquel-metal hidruro o ion de litio a la basura o en el flujo de residuos sólidos municipales y el programa Call 2 Recycle® proporciona una alternativa ambientalmente amigable.

Call 2 Recycle, Inc., en colaboración con el fabricante y otros usuarios de baterías, ha instituido el programa en Estados Unidos y Canadá para facilitar la recolección de baterías de níquel cadmio, níquel-metal hidruro o ion de litio agotadas. Ayude a proteger nuestro medioambiente y a conservar los recursos naturales devolviendo las baterías de níquel cadmio, níquel-metal hidruro o ion de litio agotadas a un centro de servicio técnico autorizado o a su comercio minorista local para su reciclaje. También debe comunicarse con su centro de reciclaje local para obtener información acerca de dónde llevar las baterías agotadas. RBRC® es una marca registrada de Call 2 Recycle, Inc.



CUIDADO DEL PRODUCTO

Garantía limitada de tres años

DeWALT reparará o reemplazará sin cargo, cualquier defecto ocasionado por materiales defectuosos o la mano de obra durante tres años a partir de la fecha de la compra. Esta garantía no cubre las fallas en las piezas que se deben al desgaste normal o a los excesos en el uso de las herramientas. Para obtener más información respecto de la cobertura de la garantía y sobre las reparaciones cubiertas por la garantía, visite www.dewalt.com o llame al 1-800-4-DeWALT (1-800-433-9258). La presente garantía no se aplica a los accesorios ni a los daños ocasionados si las reparaciones fueron realizadas o intentaron realizarlas otros terceros. ESTA GARANTÍA LIMITADA SE OTORGA EN REEMPLAZO DE TODAS LAS OTRAS GARANTÍAS, INCLUIDAS

LA GARANTÍA IMPLÍCITA DE COMERCIABILIDAD Y ADECUACIÓN PARA UN PROPÓSITO EN PARTICULAR Y EXCLUYE TODOS LOS DAÑOS Y PERJUICIOS INDIRECTOS O EMERGENTES. Algunos estados no permiten limitaciones respecto de la duración de las garantías implícitas, o las exclusiones o limitaciones para los daños y perjuicios indirectos o emergentes, por lo que es posible que no sean de aplicación en su caso. Esta garantía le otorga derechos legales específicos y usted puede tener otros derechos, los cuales varían en determinados estados o provincias. Además de la garantía, las herramientas DeWALT están cubiertas por nuestro:

SERVICIO GRATUITO DE REPARACIÓN Y MANTENIMIENTO POR 1 AÑO

DeWALT realizará el mantenimiento de la herramienta y reemplazará las piezas desgastadas como resultado del uso normal. Esto lo hará de manera gratuita en cualquier momento, durante los primeros dos años después de la compra.

SERVICIO GRATUITO DE REPARACIÓN Y MANTENIMIENTO DE LOS PAQUETES DE BATERÍAS DEWALT POR 2 AÑOS

DC9071, DC9091, DC9096, DC9182, DC9280, DC9360, DCB120, DCB122, DCB124, DCB127, DCB201, DCB203BT, DCB207, DCB361

SERVICIO GRATUITO DE REPARACIÓN Y MANTENIMIENTO DE LOS PAQUETES DE BATERÍAS DEWALT POR 3 AÑOS

DCB200, DCB203, DCB204, DCB204BT, DCB205, DCB205BT, DCB206, DCB208, DCB230, DCB240, DCB606, DCB609, DCB612

NOTA: la garantía de las baterías se anula si el paquete de baterías se manipula indebidamente de alguna manera. DeWALT no es responsable de ninguna lesión causada por la manipulación indebida y puede procesar el fraude de garantía en la máxima medida permitida por la ley.

GARANTÍA DE DEVOLUCIÓN DE DINERO DE 90 DÍAS

Si no está completamente satisfecho con el rendimiento de su herramienta eléctrica o clavadora DeWALT por cualquier motivo, puede devolverla dentro de los 90 días a partir de la fecha de compra con un recibo para un reembolso completo, sin responder ninguna pregunta.

AMÉRICA LATINA: esta garantía no se aplica a los productos vendidos en América Latina. Para los productos vendidos en América Latina, consulte la información sobre la garantía específica del país que se incluye en el embalaje, llame a la empresa local o consulte el sitio web para obtener información sobre la garantía.

REEMPLAZO GRATUITO DE ETIQUETAS DE ADVERTENCIA: Si sus etiquetas de advertencia se vuelven ilegibles o faltan, llame al 1-800-4 DeWALT (1-800-433-9258) para un reemplazo gratuito.

Piezas de repuesto


Número de pieza	Descripción
BD-NA262050	Llave de seguridad
754P07144	Correa de la barrena
BD-NA171659	Ruedas
BD-NA110007	Batería Modelo DCB612
BD-N878449	Cargador de batería Modelo DCB1104

Aditamentos y accesorios

Número de pieza	Descripción
931-2643	Herramienta de limpieza del canal

Définitions : Symboles et mots d'alerte de sécurité


Ce manuel d'instructions utilise les symboles et mots d'alerte de sécurité suivants pour vous avertir des situations dangereuses et des risques de blessures ou de dommages matériels.

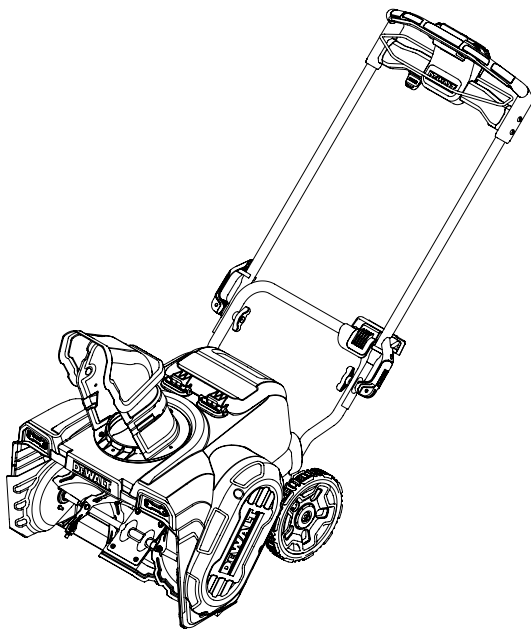
 **Danger** : indique une situation dangereuse imminente qui, si elle n'est pas évitée, **entraînera la mort et une grave blessure**.

 **Avertissement** : Indique une situation potentiellement dangereuse qui, si elle n'est pas évitée, **pourrait entraîner la mort ou une grave blessures**.

 **Mise en garde** : Indique une situation potentiellement dangereuse qui, si elle n'est pas évitée, **pourrait entraîner une blessure mineure ou modérée**.

(Utilisé sans mot) Indique un message relatif à la sécurité.

 **Avis** : Indique une pratique **non liée à une blessure corporelle** qui, si elle n'est pas évitée, **pourrait entraîner des dommages matériels**.



 **AVERTISSEMENT!** *Veuillez lire tous les avertissements de sécurité et toutes les instructions. Le non-respect des avertissements et des instructions peut entraîner une secousse électrique, un incendie et/ou des blessures graves.*

REMARQUE : Ce manuel de l'opérateur couvre plusieurs modèles. Les caractéristiques peuvent varier selon le modèle. Toutes les caractéristiques de ce manuel ne sont pas applicables à tous les modèles et le modèle représenté peut être différent du vôtre.

Si vous avez des questions ou des commentaires sur cet outil ou tout autre outil DEWALT, appelez-nous sans frais au : 1 855 971-1123.

PRATIQUES D'UTILISATION SÉCURITAIRES

AVERTISSEMENT



Ce symbole indique d'importantes consignes de sécurité qui, si elles ne sont pas respectées, peuvent mettre en danger votre propre sécurité et celle d'autrui ou de provoquer des dommages matériels. Veuillez lire et respecter toutes les instructions du présent manuel avant de faire fonctionner cette machine. Le non-respect de ces directives pourrait entraîner des blessures corporelles. Lorsque vous voyez ce symbole **RESPECTER L'AVERTISSEMENT**.

DANGER

Cette machine a été conçue pour être utilisée selon les consignes de sécurité décrites dans le présent manuel. Comme avec tout type de matériel motorisé, une imprudence ou une faute de jugement de la part de l'opérateur peut se solder par de graves blessures. Cet appareil a la capacité d'amputer les doigts, les main, les orteils et les pieds ainsi que projeter des objets. Le non-respect des consignes de sécurité qui suivent pourrait entraîner de graves blessures, voire la mort.

FORMATION

1. Veuillez lire, assimiler et respecter toutes les instructions qui figurent sur la machine et dans le(s) manuel(s) avant de tenter de l'assembler et de l'utiliser. Conservez le présent manuel dans un endroit sûr pour consultation régulière et ultérieure, de même que pour commander des pièces de rechange.
2. Familiarisez-vous avec toutes les commandes et leur utilisation adéquate. Sachez comment arrêter la machine et débrayer rapidement les commandes.
3. Ne permettez jamais à des enfants de moins de 14 ans de se servir de cet appareil. Les enfants de 14 ans et plus doivent lire et comprendre le mode d'emploi de la machine et les consignes de sécurité du présent manuel. Ils doivent être formés et supervisés par un adulte.
4. N'autorisez jamais des adultes à utiliser cet appareil sans instructions appropriées.
5. Les objets projetés peuvent provoquer des blessures corporelles graves. Planifiez votre plan de déneigement de manière à éviter le déversement de matériaux en direction des routes, des passants et autres.
6. Tenez les passants, les enfants et les animaux à au moins 75 pieds (22,5 m) de la machine pendant qu'elle fonctionne. Arrêtez l'appareil si quelqu'un pénètre dans la zone de travail.

PRÉPARATION

Examinez soigneusement la zone où l'équipement sera utilisé. Retirez tous les paillasons, journaux, traîneaux, planches, fils et autres corps étrangers qui pourraient présenter un risque de trébuchement ou qui pourraient être projetés par la machine.

1. Portez toujours des lunettes de sécurité ou une protection des yeux pendant le fonctionnement et lors d'un réglage ou d'une réparation afin de protéger vos yeux. Les objets projetés qui ricochent risquent de blesser grièvement les yeux.
2. N'utilisez pas l'appareil sans porter des vêtements d'hiver adéquats. Ne portez pas de bijoux, de longues écharpes ou d'autres vêtements amples qui pourraient se prendre dans les pièces en mouvement. Portez des chaussures qui permettent de marcher de façon stable sur les surfaces glissantes.
3. Débrayez tous les leviers de commande avant de démarrer le moteur.
4. N'essayez jamais d'effectuer des réglages lorsque le moteur est en marche, sauf si cela est spécifiquement recommandé dans le manuel de l'opérateur.

UTILISATION

1. Ne mettez pas les mains ou les pieds près des pièces en rotation, dans le carter de la tarière ou dans l'assemblage de la goulotte. Le contact avec les pièces en rotation peut amputer les mains et les pieds.
2. La barre de commande de la tarière est un dispositif de sécurité. Ne passez jamais outre son fonctionnement. Cela rendrait la machine dangereuse et pourrait entraîner des blessures.
3. La barre de commande de la tarière doit fonctionner facilement dans les deux sens et revenir automatiquement à la position désengagée lorsqu'elle est relâchée.
4. N'utilisez jamais la machine avec une protection ou une goulotte manquante ou endommagée. Maintenez toutes les protections et tous les dispositifs de sécurité en place et en état de marche.
5. Le capteur de poignée est un dispositif de sécurité. Assurez-vous que la poignée est verrouillée en position verticale et que le bouton du levier de la poignée gauche s'engage dans la fente du capteur de la poignée.
6. N'utilisez pas la machine si vous êtes sous l'influence de l'alcool ou de drogues.
7. N'utilisez pas la machine sur des surfaces gravillonnées. Faites preuve d'une extrême prudence et débrayez la tarière si vous traversez des surfaces gravillonnées. Restez attentif/attentive aux dangers cachés et à la circulation.
8. Faites très attention lors de changements de directions sur une pente. N'utilisez pas la machine sur des pentes raides.
9. Planifiez votre plan de déneigement de manière à éviter les projections vers les fenêtres, les murs, les voitures, etc. Vous éviterez ainsi d'éventuels dommages matériels ou corporels causés par un ricochet.
10. Ne dirigez jamais la décharge vers des enfants, des passants ou des animaux domestiques et ne laissez personne devant la machine.
11. Ne surchargez pas la capacité de la machine en essayant de débrayer la neige à une vitesse trop rapide. Elle sera plus performante et plus sûre au rythme pour lequel elle a été conçue.
12. N'utilisez jamais cette machine sans une bonne visibilité ou un bon éclairage. Ne vous penchez pas trop vers l'avant. Conservez toujours votre équilibre. Tenez fermement les poignées. Marchez, ne courez jamais.
13. Relâchez la barre de commande de la tarière pour couper l'alimentation de la tarière lorsque vous la transportez ou que vous ne débrayez pas la neige.

PRATIQUES D'UTILISATION SÉCURITAIRES

- N'utilisez jamais la machine à des vitesses de transport élevées sur des surfaces glissantes. Regardez au sol et derrière vous et soyez prudent(e) lorsque vous reculez.
- Après avoir heurté un corps étranger ou si la machine commence à vibrer anormalement, arrêtez le moteur, puis retirez la clé de sécurité. Inspectez complètement la machine pour déceler toute trace de dommages. Réparez tout dommage avant le démarrage et l'utilisation.
- Débrayez la barre de commande de la tarière, arrêtez le moteur et retirez la clé de sécurité avant de quitter la position de travail (derrière les poignées). Attendez l'arrêt complet de la tarière avant de déboucher la goulotte, de procéder à des réglages ou à des inspections.
- Ne mettez jamais la main dans les orifices d'évacuation ou de collecte. Utilisez toujours un outil de nettoyage pour déboucher l'orifice d'évacuation. Débrayez la barre de commande de la tarière, arrêtez le moteur, puis retirez la clé de sécurité. Restez derrière les poignées jusqu'à ce que toutes les pièces mobiles se soient immobilisées avant de déboucher.
- N'utilisez que de l'équipement et des accessoires approuvés par le fabricant (par exemple, poids de roues, chaînes pour pneus, cabines, etc.). L'utilisation d'un accessoire non approuvé peut augmenter le risque de blessure.
- En cas de situations qui ne sont pas mentionnées dans le présent manuel, faites preuve de prudence et de bon sens. Contactez le service à la clientèle pour obtenir de l'aide et le nom du centre de réparations le plus proche.
- Les plaques de râclage des souffleuses à neige sont sujettes à l'usure et aux dommages. Pour votre sécurité, vérifiez fréquemment tous les composants et remplacez-les uniquement par des pièces du fabricant de l'équipement d'origine. L'emploi de pièces non conformes aux caractéristiques du matériel d'origine pourrait entraîner une performance inférieure et compromettre la sécurité!
- Vérifiez périodiquement les leviers de commande pour s'assurer qu'ils s'embrayent et se désembrayent correctement et ajustez-les si nécessaire. Reportez-vous à la section relative au réglage dans le présent manuel de l'opérateur pour obtenir des instructions.
- Prenez soin des étiquettes de sécurité et d'instructions, et remplacez-les au besoin.
- Avant de remettre la machine, faites-la tourner quelques minutes pour la débarrasser de la neige et éviter le gel de la tarière.
- Remisez les souffleuses à neige non utilisées à l'intérieur - Lorsqu'elles ne sont pas utilisées, les souffleuses à neige doivent être remises à l'intérieur, dans un endroit sec, fermé à clé, avec la clé de sécurité retirée et hors de portée des enfants.
- Selon la Commission de sécurité des produits de consommation (CPSA), une souffeuse à neige a une **durée de vie utile moyenne** de six (6) ans. À la fin de sa **vie utile moyenne**, faites inspecter annuellement la machine par un centre de réparations autorisé pour vous assurer que les systèmes mécaniques, électriques et de sécurité fonctionnent correctement et ne sont pas trop usés. Le non-respect de ces consignes peut entraîner des accidents, des blessures ou la mort.

NETTOYAGE D'UNE GOULOTTE D'ÉJECTION OBSTRUÉE

Le contact des mains avec la turbine ou la vis sans fin en rotation à l'intérieur de la goulotte d'éjection est la cause la plus fréquente de blessures associées aux souffleuses à neige. N'utilisez jamais la main pour nettoyer la goulotte d'éjection.

Pour dégager la goulotte :

- ÉTEIGNEZ LE MOTEUR!
- Retirez la clé de sécurité.
- Attendez 10 secondes pour vous assurer que le rotor ou la tarière a arrêté de tourner.
- Utilisez toujours un outil de nettoyage et non vos mains.

ENTRETIEN ET REMISAGE

- Ne modifiez jamais les dispositifs de sécurité. Vérifiez régulièrement leur bon fonctionnement. Reportez-vous aux sections d'entretien et de réglage du présent manuel.
- Avant de nettoyer, de réparer ou d'inspecter la machine, désengagez la barre de commande de la tarière, arrêtez le moteur, retirez la clé de sécurité et enlevez la/les batterie(s). Attendez que la tarière soit complètement immobilisée.
- Vérifiez fréquemment que les boulons et les vis sont bien serrés afin de maintenir la machine dans un bon état de marche. Inspectez aussi visuellement la machine pour vérifier qu'elle n'est pas endommagée.

NE MODIFIEZ PAS LA VITESSE DE LA SOUFFLEUSE À NEIGE

Pour éviter des blessures graves ou mortelles, ne modifiez en aucun cas la vitesse de la souffeuse à neige. La modification de la vitesse de fonctionnement peut entraîner des conditions de fonctionnement dangereuses.

SÉCURITÉ ÉLECTRIQUE GÉNÉRALE

- N'exposez pas la souffeuse à la pluie ou à des conditions humides.
- Ne manipulez pas la souffeuse à neige avec les mains mouillées.
- Portez des bottes en caoutchouc lorsque vous utilisez la souffeuse à neige.
- Évitez les environnements dangereux. N'utilisez pas l'appareil sous la pluie, par temps humide ou sur des surfaces humides. L'humidité présente un risque d'électrocution.
- Pour réduire le risque de décharge électrique, évitez tout contact corporel avec des conducteurs de terre, comme les tuyaux métalliques ou les grillages.
- N'utilisez pas la souffeuse à neige dans des atmosphères explosives, comme en présence de liquides, de gaz ou de poussières inflammables.

Le bloc-batterie n'est pas complètement rechargé à sa sortie de la boîte. Avant d'utiliser le bloc-batterie et le chargeur, lisez les consignes de sécurité ci-dessous, puis suivez les procédures de recharge décrites ci-dessous. Au moment de commander des blocs-batteries de recharge, veillez à indiquer le numéro de catalogue et la tension.

PRATIQUES D'UTILISATION SÉCURITAIRES

CONSIGNES DE SÉCURITÉ IMPORTANTES POUR TOUS LES BLOCS-BATTERIES

⚠ AVERTISSEMENT

Lisez tous les avertissements de sécurité, toutes les consignes et toutes les mises en garde concernant le bloc-batterie, le chargeur et le produit. Le non-respect des avertissements et des consignes peut entraîner une secousse électrique, un incendie et/ou des blessures graves.

1. Ne rechargez pas et n'utilisez pas le bloc-batterie dans des atmosphères explosives, par exemple en présence de liquides, de gaz ou de poussières inflammables. L'insertion du bloc-batterie dans le chargeur, ou son retrait, pourrait enflammer la poussière ou les fumées.
2. Lorsque le bloc-batterie n'est pas utilisé, tenez-le à l'écart d'autres objets métalliques, comme des trombones, des pièces de monnaie, des clés, des clous, des vis ou d'autres petits objets métalliques, qui peuvent établir une connexion d'une borne à l'autre. La mise en court-circuit des bornes de la batterie peut provoquer des brûlures ou un incendie.
3. Ne forcez JAMAIS le bloc-batterie dans le chargeur. Ne modifiez en aucun cas le bloc-batterie pour l'adapter à un chargeur non compatible, car le bloc-batterie pourrait se rompre et provoquer des blessures graves.
4. Ne rechargez les batteries qu'avec les chargeurs du fabricant de l'équipement d'origine.
5. N'éclaboussez pas d'eau ou n'immergez pas dans l'eau ou d'autres liquides.
6. Ne rangez pas et n'utilisez pas l'outil et le bloc-batterie dans des endroits où la température peut atteindre ou dépasser 40 °C (104 °F) (comme les hangars extérieurs ou les bâtiments métalliques en été). Pour une durée de vie optimale, les blocs-batteries doivent être conservés dans un endroit frais et sec.
7. N'incinerez pas le bloc-batterie même s'il est gravement endommagé ou complètement usé. Le bloc-batterie peut exploser dans un feu. Des fumées et des matériaux toxiques sont créés lorsque les blocs-batteries au lithium-ion sont brûlés.
8. Si le contenu de la batterie entre en contact avec la peau, lavez immédiatement la zone affectée avec de l'eau et du savon doux. Si le liquide de la batterie pénètre dans l'œil, rincez l'œil ouvert avec de l'eau pendant 15 minutes ou jusqu'à ce que l'irritation cesse. Si des soins médicaux sont nécessaires, l'électrolyte de la batterie est composé d'un mélange de carbonates organiques liquides et de sels de lithium.
9. Le contenu des cellules ouvertes de la batterie peut provoquer une irritation respiratoire. Fournissez de l'air frais. Si les symptômes persistent, consultez un médecin.

⚠ AVERTISSEMENT

Risque de brûlure. Le liquide de la batterie peut être inflammable s'il est exposé à une étincelle ou à une flamme.

⚠ AVERTISSEMENT

Risque d'incendie. N'essayez jamais d'ouvrir le bloc-batterie pour quelque raison que ce soit. Si le boîtier du bloc-batterie est fissuré ou endommagé, ne l'insérez pas dans le chargeur. N'écrasez pas, ne faites pas tomber et n'endommagez pas le bloc-batterie. N'utilisez pas un bloc-batterie ou un chargeur qui a reçu un coup violent, qui est tombé, qui a été écrasé ou qui a été endommagé de quelque manière que ce soit (par exemple, percé avec un clou, frappé avec un marteau, piétiné). Les blocs-batteries endommagés doivent être renvoyés au centre de service pour être recyclés.

CONSIGNES DE SÉCURITÉ IMPORTANTES POUR TOUS LES CHARGEURS DE BATTERIE

⚠ AVERTISSEMENT

Lisez tous les avertissements de sécurité, toutes les consignes et toutes les mises en garde concernant le bloc-batterie, le chargeur et le produit. Le non-respect des avertissements et des consignes peut entraîner une secousse électrique, un incendie et/ou des blessures graves.

1. N'essayez pas de recharger le bloc-batterie avec un chargeur autre que celui du fabricant d'origine. Le chargeur et le bloc-batterie du fabricant d'origine sont spécifiquement conçus pour fonctionner ensemble.
2. Ces chargeurs ne sont pas destinés à d'autres usages que la recharge des batteries rechargeables du fabricant d'origine. Toute autre utilisation peut entraîner un risque d'incendie, de secousse électrique ou d'électrocution.
3. N'exposez pas le chargeur à la pluie ou à la neige.
4. Tirez par la fiche plutôt que par le cordon lorsque vous débranchez le chargeur. Cela réduira le risque d'endommager la fiche et le cordon électriques.
5. Veillez à ce que le cordon soit placé de manière à ne pas être piétiné, à ne pas présenter un risque de trébuchement et à ne pas être endommagé ou soumis à des contraintes.
6. N'utilisez pas de rallonge à moins que cela ne soit absolument nécessaire. L'utilisation d'une rallonge inadéquate peut entraîner un risque d'incendie, de décharge électrique ou d'électrocution.
7. Si vous utilisez un chargeur à l'extérieur, prévoyez toujours un endroit sec et utilisez une rallonge adaptée à l'utilisation en extérieur. L'utilisation d'un cordon adapté à une utilisation en extérieur réduit le risque de secousse électrique.

PRATIQUES D'UTILISATION SÉCURITAIRES

8. Une rallonge doit avoir un calibre de fil adéquat (AWG ou American Wire Gauge) pour des raisons de sécurité. Plus le calibre du fil est petit, plus la capacité du câble est grande, c'est-à-dire que le calibre 16 a une plus grande capacité que le calibre 18. Un cordon sous-dimensionné entraînera une baisse de la tension de la ligne, ce qui provoquera une perte de puissance et une surchauffe. Si vous utilisez plus d'une rallonge pour atteindre la longueur totale, assurez-vous que chaque rallonge individuelle comporte au moins la taille de fil minimale. Le tableau suivant indique la taille correcte à utiliser en fonction de la longueur du cordon et de l'intensité nominale indiquée sur la plaque signalétique. En cas de doute, utilisez le calibre immédiatement supérieur. Plus le numéro de calibre est petit, plus le cordon est lourd.

TAILLE MINIMALE DES FILS DES RALLONGES POUR DES APPAREILS DE 120 VOLTS UTILISANT DE 0 À 6 AMPÈRES

Longueur du cordon (pieds)	25	60	100	150
Calibre du cordon (AWG)	18	16	16	14

9. Ne placez aucun objet sur le chargeur ou ne placez pas le chargeur sur une surface molle qui pourrait bloquer les fentes d'aération et provoquer une chaleur interne excessive. Placez le chargeur à l'écart de toute source de chaleur. Le chargeur est ventilé par des fentes situées dans la partie supérieure et inférieure du boîtier.
10. N'utilisez pas le chargeur avec un cordon ou une fiche endommagé(e); faites-les remplacer immédiatement.
11. N'utilisez pas le chargeur s'il a reçu un coup violent, s'il est tombé ou s'il a été endommagé de quelque manière que ce soit. Apportez-le à un centre de service agréé.
12. Ne démontez pas le chargeur; confiez-le à un centre de service agréé pour réparation ou entretien. Un remontage incorrect peut entraîner un risque de secousse électrique, d'électrocution ou d'incendie.
13. Débranchez le chargeur de la prise de courant avant de procéder au nettoyage. Cela réduira le risque de secousse électrique. Le retrait du bloc-batterie ne réduit pas ce risque.
14. Ne tentez JAMAIS de brancher deux (2) chargeurs ensemble.
15. Le chargeur est conçu pour fonctionner sur une alimentation électrique domestique standard de 120 V. N'essayez pas de l'utiliser sur une autre tension.

⚠ AVERTISSEMENT

Risque de secousse. Ne laissez aucun liquide pénétrer à l'intérieur du chargeur. Une secousse électrique pourrait en résulter.

⚠ AVERTISSEMENT

Risque de brûlure. N'immergez pas le bloc-batterie dans un liquide et ne laissez pas de liquide pénétrer dans le bloc-batterie. N'essayez jamais d'ouvrir le bloc-batterie pour quelque raison que ce soit. Si le boîtier en plastique de la batterie se casse ou se fissure, retournez-le à un centre de service pour qu'il soit recyclé.

⚠ AVERTISSEMENT

Risque de brûlure. Pour réduire le risque de blessure, ne rechargez que les blocs-batteries rechargeables du fabricant d'origine. D'autres types de batteries peuvent surchauffer et éclater, entraînant des blessures et des dégâts matériels.

⚠ AVERTISSEMENT

Dans certaines situations, lorsque le chargeur est branché sur l'alimentation électrique, le chargeur peut être court-circuité par un corps étranger. Les corps étrangers de nature conductrice, tels que, mais sans s'y limiter, la poussière de meulage, les copeaux métalliques, la laine d'acier, le papier d'aluminium ou toute accumulation de particules métalliques, doivent être tenus à l'écart des cavités du chargeur. Débranchez toujours le chargeur de l'alimentation électrique lorsqu'il n'y a pas de bloc-batterie dans la cavité. Débranchez le chargeur avant de procéder au nettoyage.

PRATIQUES D'UTILISATION SÉCURITAIRES

ÉLIMINATION DES BATTERIES ENDOMMAGÉES OU USÉES

⚠ AVERTISSEMENT

Le matériau toxique et corrosif suivant est utilisé dans la batterie de cet appareil :

LITHIUM-ION, une substance toxique.

⚠ AVERTISSEMENT

Pour prévenir la contamination de l'environnement, contactez votre agence locale d'élimination des déchets pour obtenir des instructions particulières avant d'éliminer des batteries au lithium-ion endommagées ou usées. Apportez les batteries dans un centre local de recyclage et/ou d'élimination, homologué pour l'élimination de batteries au lithium-ion.

⚠ AVERTISSEMENT

N'utilisez pas de batteries brisées ou fissurées, et ce, même s'il n'y a pas de fuite. Remplacez les batteries endommagées ou usées par des batteries neuves. **NE TENTEZ PAS DE RÉPARER LES BATTERIES!** En raison des risques d'explosion ou d'électrocution, les tentatives de réparation peuvent entraîner des blessures graves.

Pour éviter les blessures et les dommages à l'environnement :

1. N'essayez pas d'enlever ou de détruire les composants de la batterie. N'ouvrez pas et n'endommagez pas la batterie. En cas de fuite, les électrolytes libérés sont corrosifs et toxiques. Gardez la solution à l'écart des yeux ou de la peau, et ne l'avez pas.
2. Ne jetez pas la batterie avec les ordures ménagères.
3. Ne jetez pas la batterie dans un feu. La cellule risque d'exploser.
4. Ne jetez pas la batterie là où elle fera partie d'un site d'enfouissement de déchets ou de flux de déchets solides municipaux.
5. Recouvrez les bornes de la batterie avec du ruban adhésif de qualité industrielle.
6. Éliminez la batterie conformément aux réglementations fédérale, provinciale et locale.
7. Éliminez rapidement la batterie.

À propos des sceaux de batterie Call2Recycle

Le programme d'intendance de l'industrie de Call2Recycle aide les fabricants de produits et de batteries à répondre aux exigences de recyclage des États-Unis et du Canada, notamment en ce qui a trait au respect de vastes règlements étatiques, provinciaux et fédéraux, comme la Loi des batteries rechargeable et contenant du mercure (Loi sur les batteries). Les titulaires de licences/intendants de l'industrie, fabricants et commerçants de batterie et de produit Call2Recycle® participants achètent les droits d'imprimer les sceaux de batterie Call2Recycle sur leurs batteries et produits rechargeables. Quand vous voyez le sceau de batterie Call2Recycle, vous pouvez avoir confiance, en sachant que votre batterie ou produit peut être recyclé(e) en toute sécurité et de façon responsable.



À propos de Call2Recycle

Depuis 1994, Call2Recycle a détourné plus de 34 millions de kilogrammes (75 millions de livres) de batteries rechargeables des sites d'enfouissement locaux et a mis en place un réseau de 30 000 points de recyclage. Plus de 200 fabricants de produits et/ou de batteries, les intendants de l'industrie Call2Recycle, se sont unis pour faire en sorte que les batteries soient recyclées de façon responsable quand elles atteignent leur fin de vie et pour financer le programme qui est exploité par Call2Recycle, Inc., un organisme de service public à but non lucratif 501(c)4.

Pour trouver le centre de recyclage le plus proche, veuillez composer le 1 800 822-8837.

DÉCLARATION DE LA FCC

⚠ AVERTISSEMENT










Les changements ou modifications non expressément approuvés par la partie responsable de la conformité pourraient annuler l'autorité de l'utilisateur à utiliser l'équipement.

REMARQUE : Cet équipement a été testé et s'est avéré conforme aux limites pour un appareil numérique de classe B, conformément à la partie 15 des règles de la FCC. Ces limites sont conçues pour fournir une protection raisonnable contre les interférences nuisibles dans une installation résidentielle. Cet équipement génère, utilise et peut émettre des fréquences radio et, s'il n'est pas installé et utilisé conformément aux instructions, il peut causer des interférences nuisibles pour les communications radio. Cependant, il n'existe aucune garantie que des interférences ne se produiront pas dans une installation particulière. Si cet équipement produit des interférences nuisibles à la réception radio ou télévisuelle, ce qui peut être déterminé en l'éteignant et le rallumant, l'utilisateur est encouragé à essayer de corriger l'interférence en adoptant l'une ou plusieurs des mesures suivantes :

- Réorientez ou déplacez l'antenne de réception.
- Augmentez la distance entre l'équipement et le récepteur.
- Connectez l'équipement à une sortie sur un circuit différent de celui sur lequel est branché le récepteur.
- Consultez le revendeur ou un technicien radio/télévision expérimenté pour obtenir de l'aide.

SYMBOLES DE SÉCURITÉ

Cette page illustre et explique les symboles de sécurité pouvant figurer sur cette souffleuse à neige. Assurez-vous de lire, comprendre et respecter toutes les instructions sur la souffleuse à neige avant d'essayer de l'assembler et de l'utiliser.

Symbole	Description
 <p>OPESymbol.com</p>	<p>DANGER - LIRE LE MANUEL DE L'UTILISATEUR : Lisez, comprenez et suivez toutes les règles de sécurité et les consignes figurant dans le(s) manuel(s) et sur la souffleuse à neige avant d'essayer d'utiliser cette souffleuse à neige. Le non-respect de ces directives peut entraîner des blessures, voire la mort. Conservez le présent manuel dans un endroit sûr pour consultation régulière et ultérieure. À l'aide d'un téléphone intelligent, scannez le symbole du code QR pour obtenir plus d'informations sur les avertissements figurant sur cette souffleuse à neige. Vous pouvez également consulter le site www.OPESymbol.com pour en savoir plus.</p>
	<p>DANGER - ÉVITEZ LES BLESSURES PAR AMPUTATION, LA GOULOTTE D'ÉJECTION : Ne mettez pas les mains à proximité ou dans la goulotte d'éjection lorsque le moteur est en marche. Le contact avec la turbine ou la tarière en rotation peut amputer les doigts et les mains. Arrêtez le moteur, retirez la clé de sécurité, puis attendez que toutes les pièces mobiles aient cessé de tourner. Utilisez toujours l'outil de nettoyage pour dégager la goulotte d'éjection, jamais la main.</p>
	<p>ATTENTION - OBJET PROJÉTÉ : Utilisez pour le déneigement seulement.</p>
	<p>AVERTISSEMENT — OBJET JETÉ/ENCHEVÊTEMENT : N'utilisez pas la souffleuse à neige si les dispositifs de protection et la goulotte d'éjection ne sont pas installés.</p>
	<p>DANGER — ÉVITER LES BLESSURES DUES À LA PROJECTION D'UN OBJET : Ne passez pas devant une machine en marche. Ne dirigez pas la décharge vers des passants.</p>
	<p>DANGER — LAMES ROTATIVES : Pour réduire le risque de blessures, tenez vos mains et pieds à l'écart. N'utilisez pas la machine si la goulotte d'éjection n'est pas à sa place. En cas de dommages, remplacez immédiatement.</p>
	<p>DANGER — ÉVITER LES BLESSURES PAR AMPUTATION, LE CARTER DE LA TARIÈRE : Ne mettez pas les mains ou les pieds à proximité ou à l'intérieur du carter de la tarière lorsque le moteur est en marche. Le contact avec la tarière peut amputer les doigts, les mains, les orteils et les pieds.</p>
	<p>AVERTISSEMENT — SECOURSÉ ÉLECTRIQUE : N'arrosez jamais la souffleuse à neige avec de l'eau.</p>
	<p>AVERTISSEMENT — SECOURSÉ ÉLECTRIQUE : Retirez la batterie avant de ranger ou d'effectuer toute opération d'entretien.</p>

⚠ AVERTISSEMENT

C'est votre responsabilité — Restreignez l'utilisation de cet appareil motorisé à des personnes qui peuvent lire, assimiler et respecter les avertissements et les instructions qui figurent dans le présent manuel et qui sont apposés sur l'appareil - **CONSERVEZ CES INSTRUCTIONS!**

Le bloc-batterie n'est pas complètement rechargé à sa sortie de la boîte. Avant d'utiliser le bloc-batterie et le chargeur, lisez les consignes de sécurité dans la section Pratiques d'utilisation sûres, puis suivez les procédures de recharge décrites dans cette section. Au moment de commander des blocs-batteries de rechange, veillez à indiquer le numéro de catalogue et la tension.

Remarques importantes concernant la recharge

- La durée de vie la plus longue et les meilleures performances peuvent être obtenues si la batterie est rechargée lorsque la température de l'air se situe entre 18° C et 24° C (65° F et 75° F). Ne rechargez pas le bloc-batterie lorsque la température est inférieure à +4,5° C (+40° F) ou supérieure à +40° C (+104° F). Ceci est important et permet d'éviter d'endommager gravement le bloc-batterie.
- Le chargeur et le bloc-batterie peuvent devenir chauds au toucher pendant la recharge. Il s'agit d'une situation normale et cela n'est pas l'indication d'un problème. Pour faciliter le refroidissement du bloc-batterie après utilisation, évitez de placer le chargeur ou le bloc-batterie dans un environnement chaud, comme par exemple dans un hangar métallique ou une remorque non isolée.
- Si le bloc-batterie ne se recharge pas correctement :
 - Vérifier le fonctionnement de la prise en y branchant une lampe ou un autre appareil;
 - Vérifiez si la prise est connectée à un interrupteur de lampe qui coupe l'alimentation lorsque vous éteignez la lumière;
 - Déplacez le chargeur et le bloc-batterie dans un endroit où la température de l'air ambiant se situe environ entre 18° C et 24° C (65° F et 75° F).
 - Si les problèmes de recharge persistent, apportez l'outil, le bloc-batterie et le chargeur à votre centre de service local.
- Le bloc-batterie doit être rechargé lorsqu'il ne produit pas suffisamment d'énergie pour des tâches qui étaient faciles à réaliser auparavant. Ne CONTINUEZ pas à l'utiliser dans ces conditions. Suivez la procédure de recharge. Vous pouvez également recharger un bloc-batterie partiellement utilisé quand vous le souhaitez, sans effets négatifs sur le bloc-batterie.
- Les corps étrangers de nature conductrice, tels que, mais sans s'y limiter, la poussière de meulage, les copeaux métalliques, la laine d'acier, le papier d'aluminium ou toute accumulation de particules métalliques, doivent être tenus à l'écart des cavités du chargeur. Débranchez toujours le chargeur de l'alimentation électrique lorsqu'il n'y a pas de bloc-batterie dans la cavité. Débranchez le chargeur avant de procéder au nettoyage.
- Ne congélez pas ou n'immergez pas le chargeur dans l'eau ou tout autre liquide.

Recharge d'une batterie

REMARQUE: N'utilisez que des chargeurs de système de batterie DeWalt Flexvolt (DCB1104 recommandé) pour recharger les batteries utilisées avec cette souffleuse à neige.

REMARQUE: Pour garantir des performances et une durée de vie maximales des blocs-batteries au lithium-ion, rechargez complètement le bloc-batterie avant de l'utiliser pour la première fois.

- Branchez le chargeur dans une prise de courant appropriée avant d'insérer le bloc-batterie.
- Connectez le chargeur et le bloc-batterie (Figure 1), en vous assurant que la batterie repose bien en place. Le voyant (recharge) clignotera en continu pour indiquer que le processus de recharge a commencé.

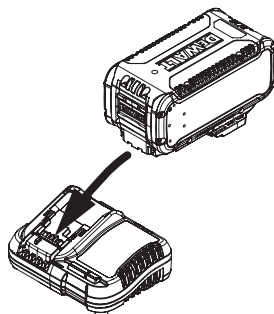


Figure 1

- La fin de la recharge est indiquée par le fait que le voyant reste allumé en permanence. Le bloc-batterie est entièrement rechargé et peut être retiré et utilisé à ce moment-là ou laissé dans le chargeur.

REMARQUE: Pour retirer le bloc-batterie, il s'avère nécessaire, pour certains chargeurs, d'appuyer sur le bouton d'ouverture du bloc-batterie.

Indicateurs		
	Recharge en cours	
	Recharge complète	
	Délai pour le bloc-batterie chaud/froid	

Un chargeur ne rechargera pas un bloc-batterie défectueux. Le refus du chargeur de s'allumer peut indiquer un problème avec le chargeur.

REMARQUE: Si le chargeur refuse de s'allumer, faites tester le chargeur et le bloc-batterie dans un centre de service agréé.

DÉLAI POUR LE BLOC-BATTERIE CHAUD/FROID

Lorsque le chargeur détecte un bloc-batterie trop chaud ou trop froid, il démarre automatiquement un délai d'attente pour le bloc-batterie chaud/froid, suspendant la recharge jusqu'à ce que le bloc-batterie ait atteint une température appropriée. Le chargeur passe alors automatiquement au mode de recharge du bloc-batterie. Cette fonctionnalité garantit une durée de vie maximale du bloc-batterie.

Un bloc-batterie froid peut se recharger plus lentement qu'un bloc-batterie chaud.

Entretien de la batterie et du chargeur de batterie

RECOMMANDATIONS POUR LE REMISAGE

1. Le meilleur lieu de remisage est un endroit frais et sec, à l'abri de la lumière directe du soleil et de l'excès de chaleur ou de froid.
2. Pour un remisage prolongé, il est recommandé de conserver un bloc-batterie entièrement chargé dans un endroit frais et sec, hors du chargeur, afin d'obtenir des résultats optimaux.

REMARQUE : les blocs-batteries ne doivent pas être entreposés complètement déchargés. Le bloc-batterie doit être rechargé avant d'être utilisé.

INSTRUCTIONS DE NETTOYAGE DU BLOC-BATTERIE

Éliminez la saleté et la graisse de l'extérieur de la batterie à l'aide d'un chiffon ou d'une brosse douce non métallique. N'utilisez pas d'eau ni de solutions de nettoyage.

INSTRUCTIONS POUR LE NETTOYAGE DU CHARGEUR

⚠ AVERTISSEMENT

Risque de secousse. Débranchez le chargeur de la prise de courant CA avant de procéder au nettoyage. Éliminez la saleté et la graisse de l'extérieur du chargeur à l'aide d'un chiffon ou d'une brosse douce non métallique. N'utilisez pas d'eau ni de solutions de nettoyage.

1. Gardez le chargeur de batterie sec, propre et exempt de débris. Ne laissez aucun corps étranger pénétrer dans le connecteur du chargeur (a) ou sur les bornes (b) (Figure 2). Avant chaque utilisation, inspectez le chargeur à la recherche de corps étrangers.

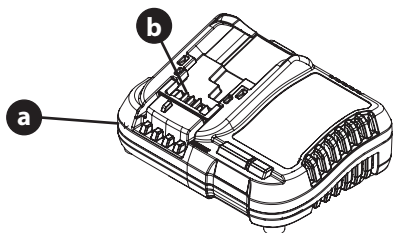


Figure 2

2. Assurez-vous que le chargeur n'a pas été court-circuité par des débris. Inspectez les bornes afin de déceler si de la saie et des signes de fonte sont présents. Ne tentez pas d'utiliser un chargeur endommagé.

Transport

⚠ AVERTISSEMENT

Risque d'incendie. Ne rangez pas et ne transportez pas le bloc-batterie de manière à ce que des objets métalliques puissent entrer en contact avec les bornes exposées de la batterie. Par exemple, ne placez pas le bloc-batterie dans un tablier, une poche, une boîte à outils, une boîte de produits, un tiroir, etc. avec des clous, des vis, des clés en vrac, etc. Le transport des batteries peut provoquer des incendies si les bornes entrent par inadvertance en contact avec des matériaux conducteurs tels que des clés, des pièces de monnaie, des outils à main, etc. Les réglementations du département américain des Transports sur les matières dangereuses (TMD) interdisent en fait le transport de batteries dans le commerce ou à bord des avions, dans les bagages à main, À MOINS qu'elles ne soient correctement protégées contre les courts-circuits. Lorsque vous transportez des blocs-batteries individuels, assurez-vous que les bornes de la batterie sont protégées et bien isolées des matériaux qui pourraient entrer en contact avec elles et provoquer un court-circuit.

REMARQUE : les batteries Li-ion ne doivent pas être placées dans les bagages enregistrés.

ASSEMBLAGE

Vue d'ensemble

- Retirez les matériaux d'emballage de la souffleuse à neige.
- Tournez la poignée en position verticale, puis verrouillez les poignées en place. Reportez-vous à l'assemblage de la poignée.
- Installez la goulotte. Reportez-vous aux options d'assemblage de la goulotte.
- Terminez l'assemblage de la souffleuse à neige. Reportez-vous à la Configuration on page 47.

Outils requis

- Clé à molette réglable ou jeu de douilles

Assemblage

1. Rechargez les batteries. Reportez-vous à Recharge d'une batterie on page 44.
2. Retirez l'écrou (a) et le boulon de (b) la poignée inférieure (Figure 3).
3. À l'aide de l'écrou et du boulon retirés à l'ÉTAPE 3, fixez le capteur de poignée (c) à la poignée inférieure.

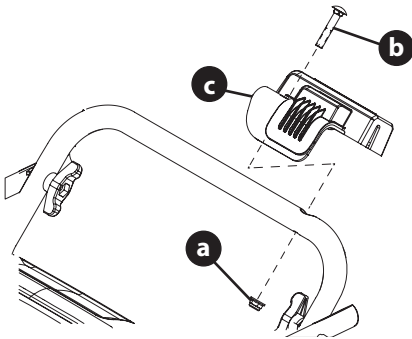


Figure 3

4. Abaissez les deux leviers de la poignée en position déverrouillée. (Figure 4).

REMARQUE : si le levier de la poignée ne s'abaisse pas, desserrez le bouton à ailettes jusqu'à ce que le levier de la poignée s'abaisse.

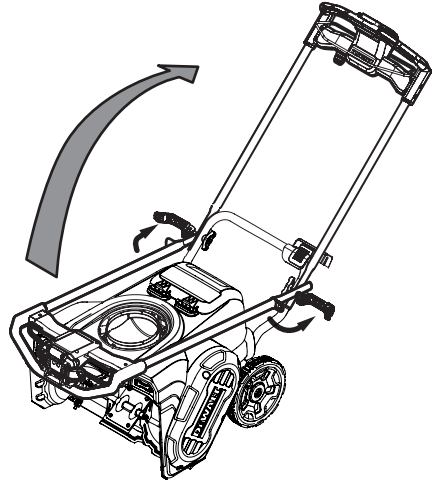


Figure 4

5. Pivotez la poignée supérieure en position de fonctionnement. Veillez à ne pas pincer les câbles au cours de l'opération (Figure 4).
6. Relevez les deux leviers de la poignée (déverrouillés à l'ÉTAPE 4) jusqu'à la position verrouillée pour fixer la poignée supérieure en position de fonctionnement (Figure 5).

REMARQUE : Assurez-vous que le bouton du levier de la poignée gauche s'engage dans la fente du capteur de la poignée.

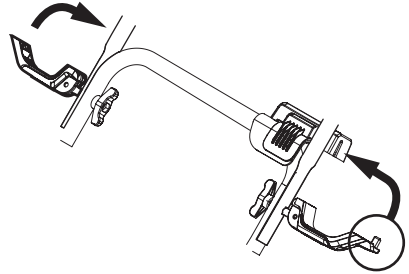


Figure 5

REMARQUE : Si nécessaire, réglez le bouton à ailettes de manière à ce que le levier de la poignée soit suffisamment serré pour maintenir la poignée supérieure en position de fonctionnement, mais suffisamment lâche pour que le levier de la poignée puisse basculer vers le bas afin de déverrouiller la poignée supérieure pour qu'elle soit repliée en position de rangement.

ASSEMBLAGE

Assemblage de la goulotte

1. Retirez les vis à rondelle hexagonale (a) de la base de la goulotte (Figure 6).

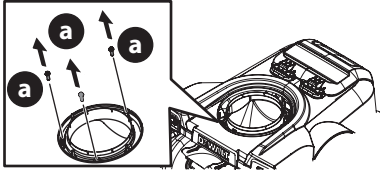


Figure 6

2. Alignez les orifices de la base de la goulotte avec les trois languettes (b) de la goulotte inférieure.
3. Fixez la base de la goulotte avec les vis à rondelle hexagonale (a) retirées à l'étape 2 (Figure 7).

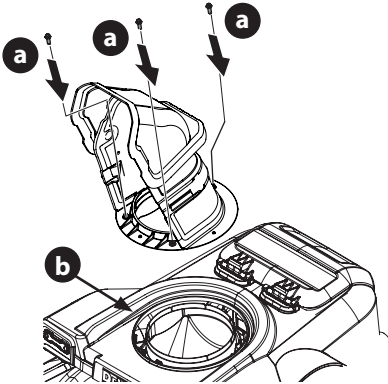


Figure 7

Configuration

VÉRIFICATION DU NIVEAU DE CHARGE DE LA BATTERIE

Appuyez sur le bouton indicateur de charge de la batterie (Figure 8). Le nombre de voyants qui s'allument indique le niveau de charge actuel de la batterie. Si les trois témoins sont assombris, rechargez la batterie avant toute autre utilisation. Reportez-vous à Recharge d'une batterie on page 448.

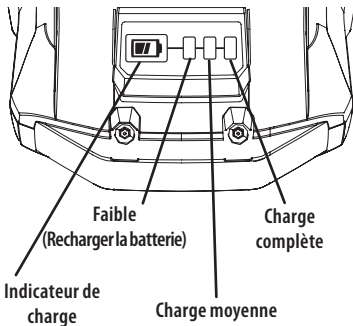


Figure 8

REMARQUE: En cours d'utilisation, les batteries au lithium-ion offrent une alimentation avec un minimum de perte de puissance. Lorsque la batterie est complètement déchargée, elle coupe immédiatement l'alimentation de la souffleuse à neige et doit être rechargée.

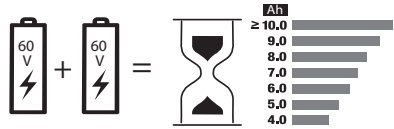
⚠ AVERTISSEMENT

N'exposez pas la souffleuse à la pluie ou à des conditions humides.

INSTALLATION DE LA BATTERIE

IMPORTANT: N'utilisez que des batteries DeWalt Flexvolt (DCB612 recommandé) avec cette souffleuse à neige.

REMARQUE: La souffleuse à neige peut fonctionner avec une seule batterie entièrement chargée, mais cela n'est pas recommandé car l'autonomie et les performances s'en trouveront réduites.



1. Soulevez le couvercle du boîtier de la batterie.
2. Faites glisser une batterie (a) dans le port de la batterie (b) de manière à ce que le voyant de la batterie soit orienté vers le haut par rapport au port de la batterie. (Figure 9).
3. Poussez la batterie fermement jusqu'à ce qu'elle s'enclenche en place. Un « clic » devrait se faire entendre lorsque la batterie est en place.

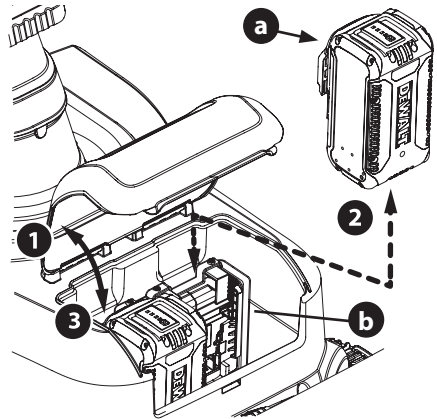


Figure 9

4. Répétez les ÉTAPES 2 et 3 pour installer une deuxième batterie dans l'autre port.
5. Fermez le couvercle du boîtier de la batterie et assurez-vous que le couvercle du boîtier de la batterie s'enclenche dans l'enveloppe.

Caractéristiques du modèle

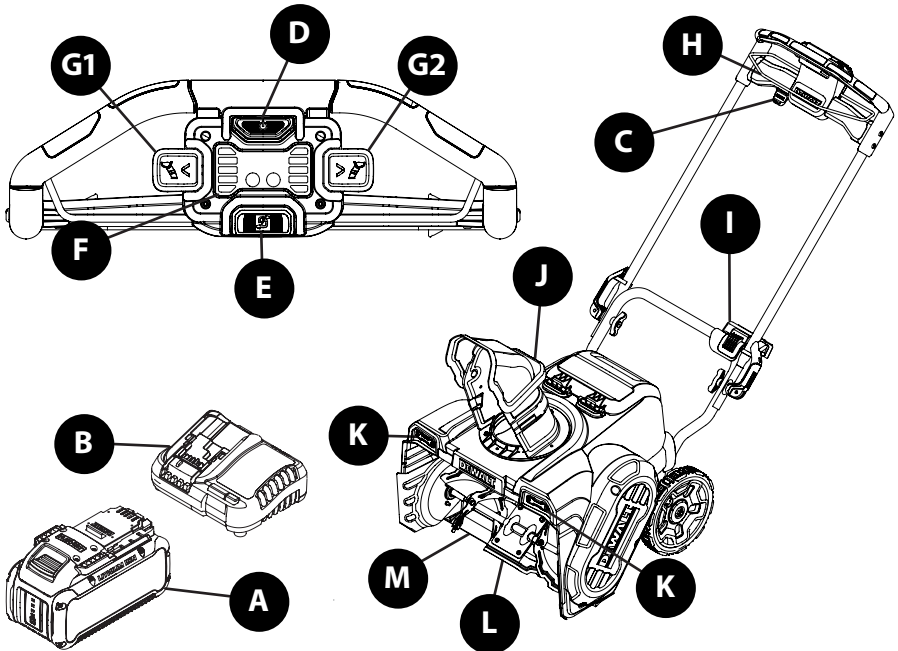


Figure 10

CARACTÉRISTIQUES

Les commandes et les caractéristiques de la souffleuse à neige sont décrites ci-dessous et illustrées ci-dessus. (Figure 10).

REMARQUE : Ce manuel de l'opérateur couvre plusieurs modèles. Les caractéristiques de la souffleuse à neige peuvent varier d'un modèle à l'autre. Toutes les caractéristiques de ce manuel ne s'appliquent pas à tous les modèles de souffleuse à neige et la souffleuse à neige représentée peut être différente de la vôtre.

REMARQUE : Toutes les références au côté gauche ou droit de la souffleuse à neige sont faites à partir de la position de l'utilisateur. Toute exception sera mentionnée.

A. BATTERIE (LE CAS ÉCHÉANT)

Les batteries sont utilisées pour alimenter la souffleuse à neige.

REMARQUE : Certains modèles sont vendus en tant que souffleuse à neige uniquement. Les batteries sont vendues séparément.

B. CHARGEUR DE BATTERIE (LE CAS ÉCHÉANT)

Le chargeur de batterie est utilisé pour recharger les batteries.

REMARQUE : Certains modèles sont vendus en tant que souffleuse à neige uniquement. Les chargeurs de batterie sont vendus séparément.

C. CLÉ DE SÉCURITÉ

La clé de sécurité est un dispositif de sécurité. Elle doit être complètement insérée pour que le moteur puisse démarrer. Retirez la clé de sécurité lorsque la souffleuse n'est pas utilisée.

D. BOUTON DÉMARRAGE

Permet d'activer ou de désactiver le moteur de la souffleuse à neige.

E. BOUTON DE MODE

Le bouton de mode permet de faire défiler les trois modes de fonctionnement de la souffleuse à neige :

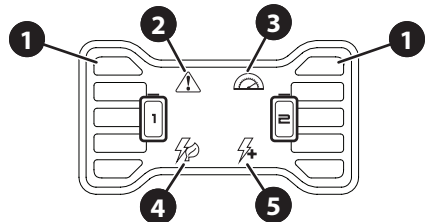
- 1. Mode Eco** - Réduit la vitesse et la puissance de la tarière pour augmenter l'autonomie de la batterie dans des conditions de neige légère.
- 2. Mode standard** - Vitesse et puissance de fonctionnement normales, utilisé pour la plupart des applications.

REMARQUE : La souffleuse à neige démarre en mode standard.

- 3. Mode de puissance maximale** - Augmente la vitesse et la puissance de la tarière. Utilisé dans des conditions de neige lourde et humide. Ce mode réduit la durée d'exécution.

F. PANNEAU INDICATEUR

Le panneau indicateur fournit les informations suivantes :



1. Indicateurs de batterie - indique si une batterie est installée dans l'un des emplacements de batterie ou dans les deux, et le niveau de charge de chaque batterie. Lorsque tous les voyants sont allumés, la batterie est complètement rechargée. Au fur et à mesure que la batterie se décharge, les voyants lumineux diminuent d'intensité. Lorsque le voyant inférieur de la batterie commence à clignoter, la ou les batteries sont presque complètement déchargées.

REMARQUE : Indicateur de défaillance de la batterie - Les indicateurs de batterie clignotent lorsqu'un dysfonctionnement de la batterie est détecté. Arrêtez le moteur, puis retirez la clé de sécurité et la ou les batteries. Réinstallez la ou les batteries et la clé de sécurité. Démarrez, puis arrêtez le moteur. Si le problème persiste, contactez un centre de service agréé.

2. Indicateur de défaillance - Indique une erreur avec la souffleuse et met l'appareil hors tension.

- Indicateur clignotant - La souffleuse à neige surchauffe parce qu'elle est trop sollicitée. Relâchez la barre de commande de la tarière, puis laissez la souffleuse refroidir avant de continuer.
- Indicateur fixe - Erreur ou défaillance de l'électronique, du moteur ou de la batterie et la souffleuse s'arrêtera. Arrêtez le moteur, puis retirez la clé de sécurité et la ou les batteries. Réinstallez la ou les batteries et la clé de sécurité. Démarrez, puis arrêtez le moteur. Si le problème persiste, contactez un centre de service agréé.

3. Indicateur de charge lourde - Indique que la souffleuse à neige est en condition de charge lourde, ce qui se traduit par une durée de fonctionnement plus courte. Immobilisez la souffleuse à neige. Lorsque le témoin de charge lourde s'éteint, avancez lentement pour continuer à déneiger.

4. Indicateur de mode Eco - Indique que le mode Eco est activé. Réduction de la vitesse de la tarière pour prolonger le délai d'exécution.

REMARQUE : La souffleuse passe en mode standard (aucun voyant ne s'allume) avant de passer en mode de puissance maximale.

5. Indicateur de mode de puissance maximale - Indique que le mode de puissance maximale est activé. - Augmentation de la vitesse de la tarière pour évacuer la neige plus lourde. Réduit le délai d'exécution.

G. COMMANDES DE L'ORIENTATION DE LA GOULOTTE.

Les commandes d'orientation de la goulotte du côté gauche (G1) et du côté droit (G2) sont utilisées pour faire tourner la goulotte. Appuyez sur les commandes d'orientation de la goulotte latérale droite ou gauche pour faire pivoter l'ensemble de la goulotte vers la gauche ou la droite. Relâchez l'interrupteur à la position souhaitée.

REMARQUE : La goulotte s'arrêtera également de tourner lorsqu'elle aura tourné sur toute l'amplitude du mouvement.

H. BARRE DE COMMANDE DE LA TARIÈRE

La barre de commande de la tarière est utilisée pour engager ou désengager la tarière. Serrez la barre de commande de la tarière contre la poignée supérieure, puis appuyez sur le bouton de démarrage pour engager la tarière, relâchez le levier pour la désengager.

I. CAPTEUR DE POIGNÉE

Le capteur de la poignée est situé sur la poignée inférieure et détecte si la poignée est complètement pliée ou verrouillée en position verticale. La souffleuse à neige ne fonctionnera pas si la poignée n'est pas en position verticale complète.

J. INCLINAISON MANUELLE DE LA GOULOTTE

Inclinez l'ensemble de la goulotte supérieure vers le haut ou vers le bas pour régler l'angle (l'inclinaison) et la distance à laquelle la neige est soufflée.

K. PHARES

Les phares (à l'avant de la souffleuse) restent allumés lorsque la souffleuse est en marche.

L. TARIÈRE

Lorsqu'elle est enclenchée, la rotation de la tarière aspire la neige dans le carter de la tarière, puis l'expulse par la goulotte.

M. PLAQUE DE RÂCLAGE

La plaque de râclage reste en contact avec la chaussée lorsque la souffleuse est poussée, ce qui permet d'évacuer la neige proche de la surface de la chaussée.

Utilisation de la souffleuse à neige

MISE EN MARCHÉ DE LA SOUFFLEUSE À NEIGE

1. Insérez la clé de sécurité (a) dans le bord inférieur de la poignée supérieure jusqu'à ce qu'elle s'enclenche en place. (Figure 11).
2. Tirez la barre de commande de la tarière contre la poignée supérieure.
3. Appuyez sur le bouton de démarrage (b).

REMARQUE : Appuyez sur le bouton de démarrage dans les 3 secondes qui suivent le moment où vous avez tiré la barre de commande de la tarière contre la poignée supérieure. Si la souffleuse à neige ne démarre pas, relâchez la barre de commande de la tarière, puis répétez les ÉTAPES 2-3.

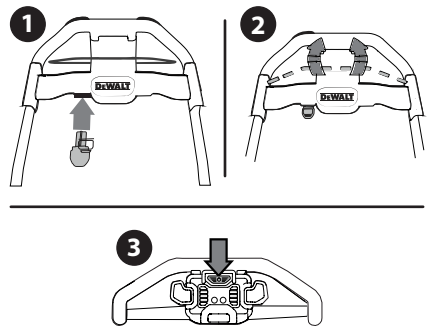


Figure 11

EMBRAYAGE DE LA TARIÈRE

Pour embrayer la tarière et commencer à projeter la neige, serrez la barre de commande de la tarière contre la poignée supérieure, puis appuyez sur le bouton de démarrage. Relâchez la barre de commande de la tarière pour arrêter la tarière. (Figure 11).

ARRÊT DE LA SOUFFLEUSE À NEIGE

1. Relâchez la barre de commande de la tarière pour arrêter le moteur et la tarière (Figure 11).
2. Retirez la clé de sécurité si la souffeuse doit être laissée sans surveillance.

RÉGLAGE DE LA VITESSE/DU NIVEAU DE PUISSANCE DE LA TARIÈRE

REMARQUE : La souffeuse à neige démarre en mode standard.

Le bouton de mode permet de faire défiler les trois modes de fonctionnement de la souffeuse à neige. (Figure 12).

1. Appuyez sur le bouton de mode (a) pour passer du mode standard au mode de puissance maximale. L'indicateur de mode de puissance maximale (b) s'allume.
2. Appuyez à nouveau sur le bouton de mode pour passer du mode puissance maximale au mode Eco. L'indicateur du mode de puissance maximale s'éteint, puis l'indicateur du mode Eco (c) s'allume.
3. Appuyez à nouveau sur le bouton de mode pour passer du mode éco au mode standard. Les indicateurs des modes Eco et puissance maximale s'éteignent.

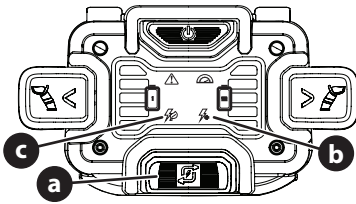


Figure 12

Réglage de l'orientation et de l'inclinaison de la goulotte

REMARQUE : La goulotte doit être tournée vers la gauche ou la droite avant de replier la poignée...

ORIENTATION DE LA GOULOTTE

- Rotation de la goulotte vers la gauche - Appuyez et maintenez la commande d'orientation de la goulotte latérale gauche (b) jusqu'à ce que la position souhaitée soit atteinte. Relâchez la commande d'orientation de la goulotte latérale gauche.
- Rotation de la goulotte vers la droite - Appuyez et maintenez la commande d'orientation de la goulotte latérale droite (a) jusqu'à ce que la position souhaitée soit atteinte. Relâchez la commande d'orientation de la goulotte latérale droite.

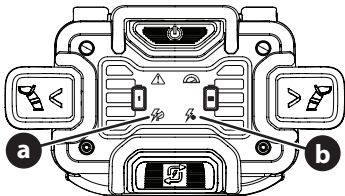


Figure 13

INCLINAISON DE LA GOULOTTE

REMARQUE : L'inclinaison de la goulotte contrôle l'angle et la distance à laquelle la neige est soufflée.

1. Desserrez l'écrou à oreilles (a) (Figure 14).
2. Faites pivoter l'ensemble de la goulotte supérieure vers le haut ou vers le bas jusqu'à la position souhaitée.
3. Serrez l'écrou à oreilles.

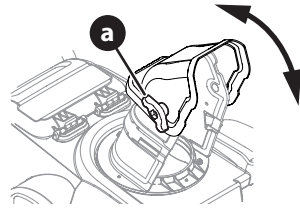


Figure 14

RETRAIT DE DES BATTERIES

IMPORTANT : Utilisation recommandée avec deux batteries DCB612.

Lorsqu'une ou les deux batteries doivent être rechargées, suivez les étapes ci-dessous pour les retirer :

1. Soulevez le couvercle du boîtier de la batterie.
2. Pousser la languette de dégagement de la batterie (a).
3. Tout en poussant la languette de dégagement de la batterie, tirez fermement la batterie (b) hors du port de la batterie (c).

REMARQUE : Si nécessaire, répétez les ÉTAPES 2 et 3 pour retirer la batterie restante de la souffeuse.

REMARQUE : Pour remplacer la batterie par une batterie chargée, reportez-vous à Installation de la batterie on page 47.

4. Fermez le couvercle du boîtier de la batterie.

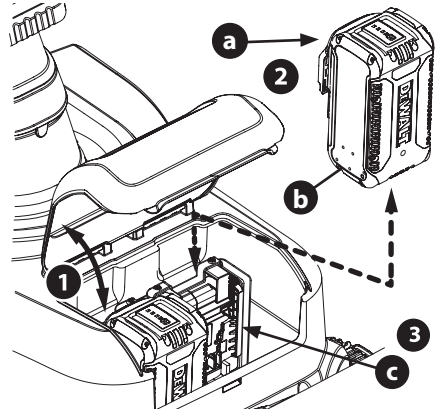


Figure 15

5. Répétez les ÉTAPES 2 et 3 pour retirer la deuxième batterie.
6. Fermez le couvercle du boîtier de la batterie.

Pliage et dépliage de la poignée

REMARQUE : Lors du pliage ou du dépliage de la poignée, si nécessaire, réglez les boutons à ailettes de manière à ce que les leviers de la poignée soient suffisamment serrés pour maintenir la poignée supérieure en position de fonctionnement, mais suffisamment lâches pour que le levier de la poignée puisse basculer vers le bas afin de déverrouiller la poignée supérieure pour qu'elle soit repliée en position de rangement.

1. Tournez complètement la goulotte vers la droite ou la gauche. Reportez-vous à Réglage de l'orientation et de l'inclinaison de la goulotte on page 50.
2. Basculez les deux leviers de la poignée en position déverrouillée. (Figure 16).

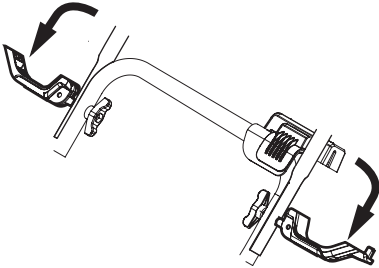


Figure 16

3. Faites pivoter la poignée supérieure vers le bas jusqu'à la position repliée. Veillez à ne pas pincer les câbles au cours de l'opération (Figure 17).
4. Basculez les deux leviers de la poignée (déverrouillés à l'ÉTAPE 2) en position verrouillée.
5. Inversez les ÉTAPES 1 à 4 pour déplier la poignée.

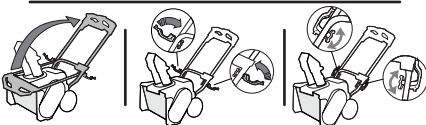
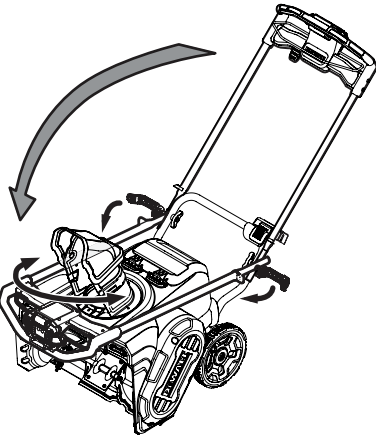


Figure 17

Dégagement d'un assemblage de goulotte obstrué

⚠ AVERTISSEMENT

N'utilisez jamais les mains pour dégager une goulotte obstruée. Arrêtez le moteur et restez derrière les poignées jusqu'à ce que toutes les pièces mobiles se soient immobilisées avant d'utiliser l'outil de nettoyage pour dégager l'assemblage de la goulotte.

Le contact de la main avec la tarière en rotation à l'intérieur de la goulotte est la cause la plus fréquente de blessures associées aux souffleuses à neige. N'utilisez jamais la main pour nettoyer l'assemblage de la goulotte.

Pour dégager la goulotte (Figure 18):

1. ÉTEIGNEZ LA SOUFFLEUSE À NEIGE.
2. Retirez la clé de sécurité.
3. Attendez 10 secondes pour vous assurer que la tarière s'est bien immobilisée.

IMPORTANT : Utilisez toujours un outil de nettoyage (pièce n° 931-2643) et non vos mains. Consultez l'annexe séparée pour les informations relatives à la commande d'outils de nettoyage.

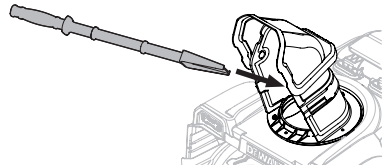
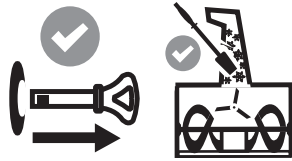


Figure 18

⚠ AVERTISSEMENT

Avant de procéder à l'entretien, à la réparation ou à l'inspection de la souffleuse à neige, désengagez la barre de commande de la tarière. Arrêtez le moteur, puis retirez la clé de sécurité pour éviter tout démarrage accidentel.

Diagnostic de pannes

LA BATTERIE NE SE RECHARGE PAS

1. Le chargeur de batterie n'est pas branché.
 - Branchez le chargeur de batterie dans une source CA de 120 volts 60 Hz.
2. La batterie n'est pas complètement insérée dans le chargeur de batterie.
 - Retirez la batterie, puis remettez-la dans le chargeur de batterie.
3. La batterie et/ou le chargeur sont trop chauds ou trop froids.
 - Assurez-vous que la batterie et le chargeur se trouvent dans un environnement entre 0 et 40 °C (32 et 104 °F). Laissez le temps à la batterie et/ou au chargeur de se réchauffer ou de se refroidir.
4. La batterie et/ou le chargeur de batterie ne sont plus fonctionnels.
 - Reportez-vous au supplément de garantie pour obtenir des informations sur le remplacement.

LA SOUFFLEUSE À NEIGE NE DÉMARRE PAS

1. La clé de sécurité n'est pas insérée dans le boîtier du démarreur.
 - Introduisez la clé de sécurité à fond dans le boîtier du démarreur.
2. La commande de la tarière est désengagée.
 - Embrayez la barre de commande de la tarière.
3. Procédure de démarrage incomplète ou effectuée dans le mauvais ordre.
 - Appuyez sur la barre de commande de la tarière, puis appuyez sur le bouton de démarrage pour mettre le moteur en marche.
4. Batterie déchargée
 - Rechargez la batterie.
5. La batterie n'est pas installée correctement.
 - Retirez la clé de sécurité et la ou les batteries. Réinstallez la ou les batteries et la clé de sécurité.
6. Le levier de verrouillage de la poignée n'est pas complètement engagé dans le capteur de la poignée.
 - Assurez-vous que le levier de verrouillage de la poignée est complètement en position verrouillée et que le bouton du levier de verrouillage de la poignée est engagé dans le capteur de la poignée.

LA BATTERIE SE DÉCHARGE RAPIDEMENT

1. La batterie n'est pas complètement rechargée.
 - Rechargez la batterie complètement.
2. La batterie et/ou le chargeur de batterie ne sont plus fonctionnels.
 - Reportez-vous au supplément de garantie pour obtenir des informations sur le remplacement.

3. L'appareil est utilisé en dehors de la plage de température.
 - Batterie(s) trop chaude(s) - Laissez refroidir.
 - Batterie(s) trop froide(s) - Mettre la ou les batteries à l'intérieur pour qu'elle(s) se réchauffe(nt) à la température ambiante.

LA SOUFFLEUSE À NEIGE S'ARRÊTE PENDANT LE DÉNEIGEMENT.

1. Batterie déchargée ou insuffisamment rechargée
 - Rechargez la batterie complètement.
2. Assemblage de la tarière obstrué
 - Arrêtez le moteur, puis retirez la clé de sécurité. Nettoyez la goulotte et l'intérieur du carter de la tarière à l'aide de l'outil de nettoyage.
3. La batterie surchauffe.
 - Laissez refroidir la batterie.
4. L'appareil est utilisé en dehors de la plage de température.
 - Batterie(s) trop chaude(s) - Laissez refroidir.
 - Batterie(s) trop froide(s) - Mettre la ou les batteries à l'intérieur pour qu'elle(s) se réchauffe(nt) à la température ambiante.

VIBRATION EXCESSIVE

1. Pièces desserrées ou tarière endommagée.
 - Arrêtez immédiatement le moteur, puis retirez la clé de sécurité et la ou les batteries. Vérifiez l'absence de tout dommage. Serrez tous les écrous et les boulons. Réparez au besoin. Si le problème persiste, contactez un centre de service agréé.

LES TARIÈRES CONTINUENT À TOURNER.

1. Problème électrique potentiel
 - Arrêtez le moteur, puis retirez la clé de sécurité et la ou les batteries. Réinstallez la ou les batteries et la clé de sécurité. Démarrez, puis arrêtez le moteur. Si le problème persiste, contactez un centre de service agréé.

LA NEIGE NE SE DÉCHARGE PAS

1. Assemblage de la tarière obstrué
 - Arrêtez le moteur, puis retirez la clé de sécurité. Nettoyez la goulotte et l'intérieur du carter de la tarière à l'aide de l'outil de nettoyage.
2. Corps étranger logé dans la tarière
 - Arrêtez le moteur immédiatement, puis retirez la clé de sécurité. Retirez le corps étranger de la tarière.
3. La courroie d'entraînement de la tarière est lâche ou endommagée.
 - Remplacez la courroie d'entraînement de la tarière. Voir Remplacement de la courroie d'entraînement de la tarière dans la section Entretien.

Entretien

REMISAGE HORS SAISON

Si la souffleuse ne sera pas utilisée avant la saison prochaine, suivez les instructions de remisage ci-dessous.

1. Retirez la clé de sécurité et la ou les batteries.
2. Remisez la souffleuse à neige dans un endroit propre et sec.

ENTRETIEN DU PRODUIT

3. Utilisez de l'air ou un chiffon sec pour nettoyer l'extérieur de la souffleuse, de la batterie et du chargeur de batterie.

IMPORTANT : NE LAVEZ PAS la souffleuse à neige avec de l'eau. La garantie sera annulée si de l'eau est utilisée sur la souffleuse à neige.

IMPORTANT : Lorsque vous remisez la souffleuse à neige ou lorsqu'elle ne fait pas l'objet d'un entretien, elle doit rester en position verticale, les deux roues et le carter de la tarière reposant sur le sol.

REMARQUE : Reportez-vous au manuel d'utilisation du chargeur de batterie pour plus d'informations sur le remisage de vos batteries.

4. Repliez la poignée.

Entretien

REMPLACEMENT DE LA COURROIE D'ENTRAÎNEMENT DE LA TARIÈRE

1. Assurez-vous que la souffleuse est éteinte et que la clé de sécurité est retirée.
2. Retirez la ou les batteries.
3. Retirez les quatre vis à rondelle hexagonale (a) qui retiennent le couvercle de la courroie (b) à la plaque du moteur (Figure 19). Retirez le couvercle de la courroie.

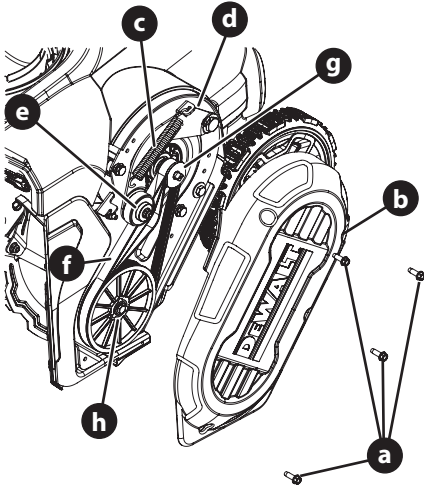


Figure 19

4. À l'aide d'une pince à bec effilé ou d'un extracteur de ressort, relâchez la tension sur le ressort de la poulie de tension (c), puis déconnectez le ressort de la poulie de tension du support de la poulie de tension (d).
5. Soulevez la poulie de tension (e), puis retirez la courroie (f).
6. Faites passer la nouvelle courroie de la tarière autour de la poulie motrice (g) et sous la poulie de tension.
7. Faites passer l'extrémité de la courroie autour de la poulie de la tarière (h).
8. Reconnectez le ressort de la poulie de tension au support de la poulie de tension.
9. Réinstallez le couvercle de la courroie retiré à l'étape 3.

REMPLACEMENT DE LA PLAQUE DE RÂCLAGE.

REMARQUE : La plaque de râclage est fixée au bas du carter de la tarière et est sujette à l'usure. Elle doit être vérifiée périodiquement.

1. Assurez-vous que la souffleuse est éteinte et que la clé de sécurité est retirée.
2. Retirez la ou les batteries.
3. Basculez la souffleuse vers l'arrière jusqu'à ce qu'elle repose sur les poignées.
4. Retirez les quatre vis à tête étoilée (a) qui retiennent la plaque de râclage (b) au carter de la tarière (c) (Figure 20).

REMARQUE : les deux vis à tête étoilée centrales retiennent également le carénage inférieur au carter de la tarière.

5. Retirez la plaque de râclage existante.
6. Installez la nouvelle plaque de râclage.
7. En utilisant les quatre vis à tête étoilée retirées à l'ÉTAPE 4, fixez la nouvelle plaque de râclage et la plaque de support inférieure au carter de la tarière.

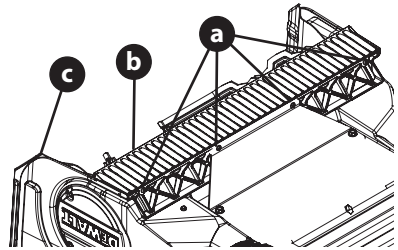


Figure 20

Mise au rebut de la batterie

LE SCEAU RBRC®

Le sceau RBRC® (Rechargeable Battery Recycling Corporation) apposé sur les batteries (ou blocs-batteries) au nickel-cadmium, au nickel-hydrure métallique ou au lithium-ion indique que les coûts de recyclage de ces batteries (ou blocs-batteries) à la fin de leur durée de vie utile ont déjà été pris en charge par le fabricant. Dans certaines régions, il est illégal de jeter les batteries au nickel-cadmium, nickel-métal-hydrure ou au lithium-ion usagées à la poubelle ou dans le flux des déchets solides municipaux. Le programme Call 2 Recycle® offre une solution de rechange respectueuse de l'environnement.

Call 2 Recycle, Inc. en coopération avec le fabricant et d'autres utilisateurs de batteries, a mis en place le programme aux États-Unis et au Canada pour faciliter la collecte des batteries au nickel-cadmium, au nickel-métal-hydrure ou au lithium-ion usagées. Contribuez à la protection de l'environnement et à la préservation des ressources naturelles en renvoyant les batteries au nickel-cadmium, au nickel-métal-hydrure ou au lithium-ion usagées à un centre de service agréé ou à votre revendeur local pour qu'elles soient recyclées. Vous pouvez également contacter votre centre de recyclage local pour savoir où déposer la batterie usagée. RBRC® est une marque déposée de Call 2 Recycle, Inc.



ENTRETIEN DU PRODUIT

Garantie limitée de trois ans

DeWALT réparera ou remplacera, sans frais, tout défaut dû à un vice de matériau ou de fabrication pendant trois ans à compter de la date d'achat. Cette garantie ne couvre pas les défaillances de pièces dues à l'usure normale ou à l'utilisation abusive d'outils. Pour plus de détails sur la couverture et la réparation de la garantie, visitez le site www.dewalt.com ou appelez le 1 800 4 DeWALT (1 800 433-9258). Cette garantie ne s'applique pas aux accessoires ou aux dommages causés lorsque des réparations ont été effectuées ou tentées par autrui. **CETTE GARANTIE LIMITÉE EST DONNÉE EN LIEU ET PLACE DE TOUTE AUTRE, NOTAMMENT**

LA GARANTIE IMPLICITE DE QUALITÉ MARCHANDE ET D'ADÉQUATION À UN USAGE PARTICULIER, ET EXCLUT TOUS LES DOMMAGES ACCESSOIRES OU INDIRECTS. Certains États n'autorisent pas la limitation de la durée d'une garantie implicite ou l'exclusion ou la limitation des dommages accessoires ou indirects, de sorte que ces limitations peuvent ne pas s'appliquer à vous. Cette garantie vous donne des droits légaux spécifiques et vous pouvez avoir d'autres droits qui varient dans certains États ou provinces. En plus de la garantie, les outils DeWALT sont couverts par notre :

SERVICE GRATUIT PENDANT UN AN

DeWALT entretiendra l'outil et remplacera les pièces usées causées par une utilisation normale, gratuitement, à tout moment au cours des deux premières années suivant l'achat.

2 ANS DE SERVICE GRATUIT SUR LES BLOCS-BATTERIES DEWALT

DC9071, DC9091, DC9096, DC9182, DC9280, DC9360, DCB120, DCB122, DCB124, DCB127, DCB201, DCB203BT, DCB207, DCB361

3 ANS DE SERVICE GRATUIT SUR LES BLOCS-BATTERIES DEWALT

DCB200, DCB203, DCB204, DCB204BT, DCB205, DCB205BT, DCB206, DCB208, DCB230, DCB240, DCB606, DCB609, DCB612

REMARQUE : La garantie de la batterie est annulée si le bloc-batterie est altéré de quelque manière que ce soit. DeWALT n'est pas responsable des blessures causées par des manipulations et peut poursuivre les fraudes à la garantie dans toute la mesure permise par la loi.

GARANTIE DE REMBOURSEMENT DE 90 JOURS

Si, pour quelque raison que ce soit, vous n'êtes pas entièrement satisfait(e) des performances de votre outil électrique ou de votre cloueuse DeWALT, vous pouvez le/la retourner dans les 90 jours suivant la date d'achat, accompagné d'un reçu, pour obtenir un remboursement intégral, sans aucune question.

AMÉRIQUE LATINE : Cette garantie ne s'applique pas aux produits vendus en Amérique latine. Pour les produits vendus en Amérique latine, consultez les informations de garantie spécifiques au pays contenues dans l'emballage, appelez la société locale ou consultez le site Web pour les informations de garantie.

REPLACEMENT GRATUIT DE L'ÉTIQUETTE D'AVERTISSEMENT : Si les étiquettes d'avertissement deviennent illisibles ou manquent, appelez le 1 800 4 DeWALT (1 800 433-9258) pour les remplacer gratuitement.

Pièces de rechange

Numéro de pièce	Description
BD-NA262050	Clé de sécurité
754P07144	Courroie de tarière
BD-NA171659	Roues
BD-NA110007	Batterie Modèle DCB612
BD-NA878449	Chargeur de batterie Modèle DCB1104

Accessoires

Numéro de pièce	Description
931-2643	Outil de dégagement de la goulotte