

If you have questions or comments, contact us.  
 Pour toute question ou tout commentaire, nous contacter.  
 Si tiene dudas o comentarios, contáctenos.

1-800-4-DEWALT • www.dewalt.com

INSTRUCTIVO DE OPERACIÓN, CENTROS DE SERVICIO Y PÓLIZA DE GARANTÍA. ADVERTENCIA: LEASE ESTE INSTRUCTIVO ANTES DE USAR EL PRODUCTO.

INSTRUCTION MANUAL  
 GUIDE D'UTILISATION  
 MANUAL DE INSTRUCCIONES

# DEWALT®

D26676, D26677  
 3-1/4" (82 mm) Hand Planer  
 Raboteuse portative de 82 mm (3-1/4 po)  
 Cepilladora manual de 82 mm (3-1/4 pulg.)

DeWALT Industrial Tool Co., 701 Joppa Road, Baltimore, MD 21286

(APR10) Part No. N070577 D26676, D26677 Copyright © 2010 DeWALT

The following are trademarks for one or more DeWALT power tools: the yellow and black color scheme; the "D" shaped air intake grill; the array of pyramids on the handgrip; the kit box configuration; and the array of lozenge-shaped humps on the surface of the tool.

### Definitions: Safety Guidelines

The definitions below describe the level of severity for each signal word. Please read the manual and pay attention to these symbols.

**⚠ DANGER:** Indicates an imminently hazardous situation which, if not avoided, will result in death or serious injury.

**⚠ WARNING:** Indicates a potentially hazardous situation which, if not avoided, could result in death or serious injury.

**⚠ CAUTION:** Indicates a potentially hazardous situation which, if not avoided, may result in minor or moderate injury.

**NOTICE:** Indicates a practice not related to personal injury which, if not avoided, may result in property damage.

IF YOU HAVE ANY QUESTIONS OR COMMENTS ABOUT THIS OR ANY DeWALT TOOL, CALL US TOLL FREE AT: 1-800-4-DeWALT (1-800-433-9258).

**⚠ WARNING:** To reduce the risk of injury, read the instruction manual.

### General Power Tool Safety Warnings

**⚠ WARNING!** Read all safety warnings and instructions. Failure to follow the warnings and instructions may result in electric shock, fire and/or serious injury.

### SAVE ALL WARNINGS AND INSTRUCTIONS FOR FUTURE REFERENCE

The term "power tool" in the warnings refers to your mains-operated (corded) power tool or battery-operated (cordless) power tool.

#### 1) WORK AREA SAFETY

- Keep work area clean and well lit. Cluttered or dark areas invite accidents.
- Do not operate power tools in explosive atmospheres, such as in the presence of flammable liquids, gases or dust. Power tools create sparks which may ignite the dust or fumes.
- Keep children and bystanders away while operating a power tool. Distractions can cause you to lose control.

#### 2) ELECTRICAL SAFETY

- Power tool plugs must match the outlet. Never modify the plug in any way. Do not use any adapter plugs with earthed (grounded) power tools. Unmodified plugs and matching outlets will reduce risk of electric shock.
- Avoid body contact with earthed or grounded surfaces such as pipes, radiators, ranges and refrigerators. There is an increased risk of electric shock if your body is earthed or grounded.
- Do not expose power tools to rain or wet conditions. Water entering a power tool will increase the risk of electric shock.
- Do not abuse the cord. Never use the cord for carrying, pulling or unplugging the power tool. Keep cord away from heat, oil, sharp edges or moving parts. Damaged or entangled cords increase the risk of electric shock.
- When operating a power tool outdoors, use an extension cord suitable for outdoor use. Use of a cord suitable for outdoor use reduces the risk of electric shock.
- If operating a power tool in a damp location is unavoidable, use a ground fault circuit interrupter (GFCI) protected supply. Use of a GFCI reduces the risk of electric shock.

#### 3) PERSONAL SAFETY

- Stay alert, watch what you are doing and use common sense when operating a power tool. Do not use a power tool while you are tired or under the influence of drugs, alcohol or medication. A moment of inattention while operating power tools may result in serious personal injury.
- Use personal protective equipment. Always wear eye protection. Protective equipment such as dust mask, non-skid safety shoes, hard hat, or hearing protection used for appropriate conditions will reduce personal injuries.
- Prevent unintentional starting. Ensure the switch is in the off position before connecting to power source and/or battery pack, picking up or carrying the tool. Carrying power tools with your finger on the switch or energising power tools that have the switch on invites accidents.
- Remove any adjusting key or wrench before turning the power tool on. A wrench or a key left attached to a rotating part of the power tool may result in personal injury.

- Do not overreach. Keep proper footing and balance at all times. This enables better control of the power tool in unexpected situations.
- Dress properly. Do not wear loose clothing or jewellery. Keep your hair, clothing and gloves away from moving parts. Loose clothes, jewellery or long hair can be caught in moving parts.
- If devices are provided for the connection of dust extraction and collection facilities, ensure these are connected and properly used. Use of dust collection can reduce dust-related hazards.

#### 4) POWER TOOL USE AND CARE

- Do not force the power tool. Use the correct power tool for your application. The correct power tool will do the job better and safer at the rate for which it was designed.
- Do not use the power tool if the switch does not turn it on and off. Any power tool that cannot be controlled with the switch is dangerous and must be repaired.
- Disconnect the plug from the power source and/or the battery pack from the power tool before making any adjustments, changing accessories, or storing power tools. Such preventive safety measures reduce the risk of starting the power tool accidentally.
- Store idle power tools out of the reach of children and do not allow persons unfamiliar with the power tool or these instructions to operate the power tool. Power tools are dangerous in the hands of untrained users.
- Maintain power tools. Check for misalignment or binding of moving parts, breakage of parts and any other condition that may affect the power tool's operation. If damaged, have the power tool repaired before use. Many accidents are caused by poorly maintained power tools.
- Keep cutting tools sharp and clean. Properly maintained cutting tools with sharp cutting edges are less likely to bind and are easier to control.
- Use the power tool, accessories and tool bits, etc. in accordance with these instructions, taking into account the working conditions and the work to be performed. Use of the power tool for operations different from those intended could result in a hazardous situation.

#### 5) SERVICE

- Have your power tool serviced by a qualified repair person using only identical replacement parts. This will ensure that the safety of the power tool is maintained.

### Additional Safety Instructions for Planers

- Wait for the cutter to stop before setting the tool down. An exposed cutter may engage the surface leading to possible loss of control and serious injury
- Use clamps or another practical way to secure and support the workpiece to a stable platform. Holding the work by hand or against your body leaves it unstable and may lead to loss of control.
- Be sure the voltage agrees with specific data on the nameplate.
- Make certain that the switch is in the off position before connecting plug to a power source.
- Be sure to switch OFF immediately if tool is jammed in work.
- Be sure tool is set for correct depth before turning switch to ON.
- Be sure to maintain tool with care. Follow instructions for lubricating and changing accessories.
- Stay alert – never operate the unit when tired or under the influence of drugs, alcohol, or medication.
- Be sure to store tool in a clean dry place after disconnecting from power source.
- Do not use in dangerous environments. Do not use near flammable substances, in damp or wet locations, or expose to rain.
- Be sure that the blades are mounted as described in the instruction manual and check that all screws are firmly tightened before connecting unit to power source.
- Keep air vents unobstructed for proper motor cooling.
- DO NOT lay tool down on shoe when the blades are exposed. This can chip the blades.
- Keep side discharge chute unobstructed at all times.
- Never reach under the tool for any reason unless it is turned off and UNPLUGGED. BLADES ARE EXPOSED AND EXTREMELY SHARP.
- Use this tool for working with wood and wood products only.
- Never operate without securely holding the front handle.
- Always operate planer with two hands.
- Planer blades are extremely sharp. Handle with great care.
- Clean out your tool often, especially after heavy use.
- Air vents often cover moving parts and should be avoided. Loose clothes, jewellery or long hair can be caught in moving parts.
- An extension cord must have adequate wire size (AWG or American Wire Gauge) for safety. The smaller the gauge number of the wire, the greater the capacity of the cable, that is 16 gauge has more capacity than 18 gauge. An undersized cord will cause a drop in line voltage resulting in loss of power and overheating. When using more than one extension to make up the total length, be sure each individual extension contains at least the minimum wire size. The following table shows the correct size to use depending on cord length and nameplate ampere rating. If in doubt, use the next heavier gauge. The smaller the gauge number, the heavier the cord.

		Minimum Gauge for Cord Sets				
		Volts	Total Length of Cord in Feet (meters)			
Ampere Rating		120V	25 (7.6)	50 (15.2)	100 (30.5)	150 (45.7)
		240V	50 (15.2)	100 (30.5)	200 (61.0)	300 (91.4)
		AWG				
More Than	Not More Than					
0	6		18	16	16	14
6	10		18	16	14	12
10	12		16	16	14	12
12	16		14	12	Not Recommended	

**⚠ WARNING:** ALWAYS use safety glasses. Everyday eyeglasses are NOT safety glasses. Also use face or dust mask if cutting operation is dusty. ALWAYS WEAR CERTIFIED SAFETY EQUIPMENT:

- ANSI Z87.1 eye protection (CAN/CSA Z94.3),
- ANSI S12.6 (S3.19) hearing protection,
- NIOSH/OSHA/MSHA respiratory protection.

**⚠ WARNING:** Some dust created by power sanding, sawing, grinding, drilling, and other construction activities contains chemicals known to cause cancer, birth defects or other reproductive harm. Some examples of these chemicals are:

- lead from lead-based paints,
- crystalline silica from bricks and cement and other masonry products, and
- arsenic and chromium from chemically-treated lumber (CCA).

Your risk from these exposures varies, depending on how often you do this type of work. To reduce your exposure to these chemicals: work in a well ventilated area, and work with approved safety equipment, such as those dust masks that are specially designed to filter out microscopic particles.

- Avoid prolonged contact with dust from power sanding, sawing, grinding, drilling, and other construction activities. Wear protective clothing and wash exposed areas with soap and water. Allowing dust to get into your mouth, eyes, or lay on the skin may promote absorption of harmful chemicals.

**⚠ WARNING:** Use of this tool can generate and/or disburse dust, which may cause serious and permanent respiratory or other injury. Always use NIOSH/OSHA approved respiratory protection appropriate for the dust exposure. Direct particles away from face and body.

**⚠ WARNING:** Always wear proper personal hearing protection that conforms to ANSI S12.6 (S3.19) during use. Under some conditions and duration of use, noise from this product may contribute to hearing loss.

- The label on your tool may include the following symbols. The symbols and their definitions are as follows:

V.....volts	A.....amperes
Hz.....hertz	W.....watts
min.....minutes	~ .....alternating current
== .....direct current	⊜ .....alternating or direct current
⚠ .....Class I Construction (grounded)	n <sub>0</sub> .....no load speed
⊞ .....Class II Construction (double insulated)	⊕ .....earthing terminal
.../min .....per minute	⚠ .....safety alert symbol
IPM.....impacts per minute	BPM .....beats per minute
	RPM.....revolutions per minute

**SAVE THESE INSTRUCTIONS**

## COMPONENTS (Fig. 1)

**⚠ WARNING:** Never modify the power tool or any part of it. Damage or personal injury could result.

- |                          |   |
|--------------------------|---|
| A. On/Off switch         | H. Rabbet fence tightening knob               |
| B. Lock-on button        | I. Planing depth graduation                   |
| C. Main handle           | J. Planing depth adjustment knob/front handle |
| D. Rear shoe             | K. Chip discharge chute                       |
| E. Drive belt cover      | L. Dust adapter                               |
| F. Hole for rabbet fence | M. Rabbetting cover                           |
| G. Front shoe            |   |

## OPERATION

**⚠ WARNING:** To reduce the risk of serious personal injury, turn tool off and disconnect tool from power source before making any adjustments or removing/installing attachments or accessories.

### Motor

Be sure your power supply agrees with the nameplate marking. Voltage decrease of more than 10% will cause loss of power and overheating. DeWALT tools are factory tested; if this tool does not operate, check power supply.

### Switch (Fig. 1)

**⚠ CAUTION:** Check that the tool is not locked ON before connecting it to a power supply. If the trigger switch is locked ON when the tool is connected to the power supply, it will start immediately. Damage to your tool or personal injury may result.

**⚠ CAUTION:** Allow the tool to reach full speed before touching tool to the work surface. Lift the tool from the work surface before turning the tool off.

To start the planer depress the on/off switch (A).

To turn the planer off, release the on/off switch.

### LOCK-ON BUTTON

The tool can be locked on for continuous use. To lock the tool on, depress the trigger switch (A) and push in the lock-on button (B). Hold the lock-on button in as you gently release the trigger switch. The tool will continue to run.

To turn the tool off from a locked-on position, squeeze and release the trigger once.

### Adjusting the Planing Depth (Fig. 1)

To adjust the depth of cut, turn the planing depth adjustment knob (J). Each click is equal to 0.1 mm of depth up to the maximum depth of cut of approximately 1/16" (1.6 mm).

It is recommended that test cuts be made in scrap wood after each re-adjustment to make sure that the desired amount of wood is being removed by the planer. Several shallow passes (rather than one deep one) will produce a smoother finish.

### Planing (Fig. 1-4)

**⚠ CAUTION:** Allow the tool to reach full speed before touching tool to the work surface. Lift the tool from the work surface before turning the tool off.

Hold the planer in the correct position with one hand on the front handle (J) and the other hand on the main handle (C) as shown in Figure 2. Place the front shoe (G) on the surface to be planed, making certain that the cutting blades are not touching the surface. Push down firmly on the front handle of the planer so that the front shoe is ABSOLUTELY FLAT on the work surface. Squeeze the trigger switch and allow the motor to reach full speed before touching the planer blades to the work surface.

Move the tool slowly into the work and maintain downward pressure to keep the planer flat. Be particularly careful to keep the tool flat at the beginning and the end of the work surface.

**Planing Tip:** For a smoother appearance, fasten a piece of scrap wood to the end of the piece you are planing. Don't stop planing until the cutting blades of the planer are past your workpiece and into the scrap material.

### Rabbet Fence (Fig. 5, 6)

**⚠ WARNING:** Allow the tool to reach full speed before touching tool to the work surface. Lift the tool from the work surface before turning the tool off.

The rabbet fence (N) is used for optimum tool control on narrow workpieces and can be installed on either side of your planer. The planer makes rabbet cuts up to 23/64" (9 mm).

#### TO INSTALL RABBET FENCE

- Loosen the rabbet fence tightening knob (H).
- Slide the crossbar on the rabbet fence (N) into the hole (F) on the side of the planer as shown in Figure 5.
- Set the width of cut by adjusting the edge guide across the width of the shoe.
- Securely tighten rabbet fence tightening knob.

**NOTE:** The rabbet fence should be below the planer when installed correctly as shown in Figure 6

#### TO MAKE A RABBET CUT

- Turn the rabbet fence tightening knob (H) to adjust the desired width of cut.
- Make several cuts until the desired depth is reached.

**NOTE:** It will be necessary to make quite a few cuts for most rabbet applications.

### To Change Blades (Fig. 7, 8)

The planer is capable of using high-speed steel and carbide blades. Be sure to check the planer to verify which blade it is fitted with.

#### HIGH-SPEED STEEL BLADES (FIG. 7)

D26676

##### 1. To Remove Blade from Planer (Fig. 7B)

- Loosen and remove the three hex head screws (O) with the 9 mm hex wrench provided. Remove the drum cover (P) from the drum (Q).
- Cautiously remove the guide bar/high-speed steel blade assembly (V, U, T).

##### 2. To Adjust Blade Using Gauge Plate (provided with tool) (Fig. 7C)

- Place the guide bar/high-speed steel blade assembly on the gauge plate (R) with the cutting edge of the high-speed steel blade flush against the gauge plate inside wall (S). The heel of the guide bar (T) will overlap the end of the gauge plate (R).
- Loosen the two cross-shaped screws (U) with the wrench provided.
- Simultaneously push the high-speed steel blade (V) and the guide bar (T) into the gauge plate inside wall (S) and securely tighten cross-shaped screws (U).

##### 3. To Reinstall Blade (Fig. 7A, 7B)

- Cautiously remove the adjusted guide bar/high-speed steel blade assembly from the gauge plate (R) and place the heel of the guide bar (T) into the groove in the drum (Q).
- Set the drum cover (P) over the adjusted guide bar/high-speed steel blade assembly and securely tighten the three hex screws (O) to the drum.

##### 4. Repeat procedure for the other blade.

**NOTE:** If your planer is not fitted with high-steel blades, the sharpening holder (Y) required to sharpen high-speed blades is available at additional cost from your local DeWALT authorized service center.

#### REVERSIBLE CARBIDE BLADES (FIG. 8)

D26677

##### 1. To Remove Blade from Planer (Fig. 8B)

- Loosen and remove the three hex head screws (O) with the 9 mm hex wrench provided. Remove the drum cover (P) from the drum (Q).
- Remove the blade carrier/guide bar assembly (T, U, X, W). Carefully remove the carbide blade (W).

##### 2. To Adjust Blade Using Gauge Plate (provided with tool) (Fig. 8C)

- Cautiously place the carbide blade on the gauge plate (R) with the grooved side of the carbide blade facing up. Either edge of the reversible carbide blade can be set flush against the gauge plate inside wall (S).
- Place the blade carrier/guide bar assembly on the blade so that the rib on the blade carrier (X) fits into the groove on the carbide blade (W). The heel of the blade carrier (X) will overlap the end of the gauge plate (R).
- Loosen the two cross-shaped screws (U) with the wrench provided.
- Simultaneously push the blade carrier (X) and the guide bar (T) into the gauge plate inside wall (S), making sure that the carbide blade (W) is held firmly against the gauge plate inside wall (S) and securely tighten the two cross-shaped screws (U).

##### 3. To Reinstall Blade (Fig. 8A, 8B)

- Remove the adjusted blade carrier/guide bar assembly from the gauge plate (R) and place the heel of the guide bar (T) into the groove on the drum (Q).

FIG. 1

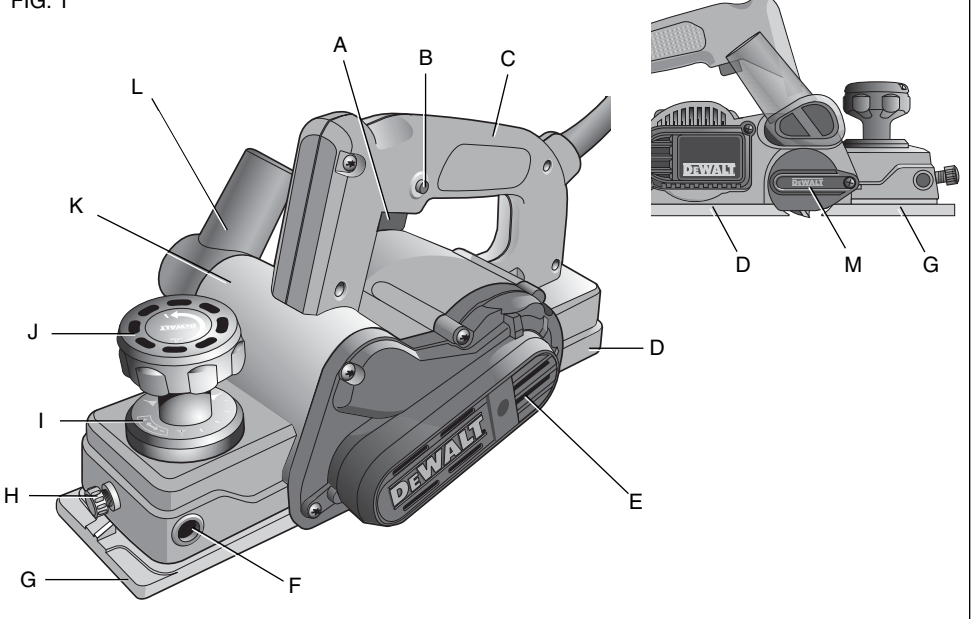


FIG. 2

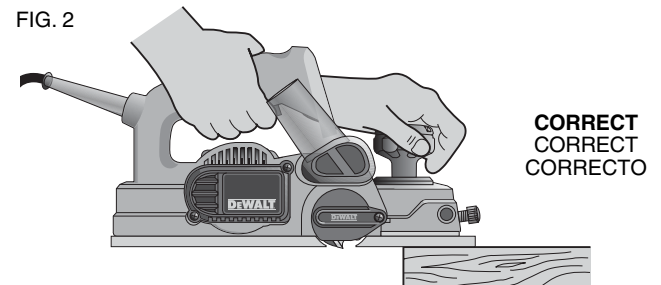


FIG. 3

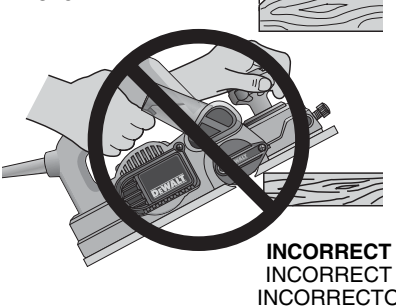


FIG. 4



FIG. 5

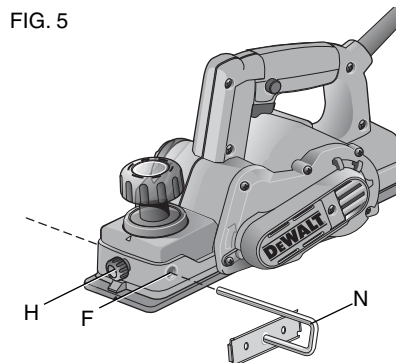


FIG. 6

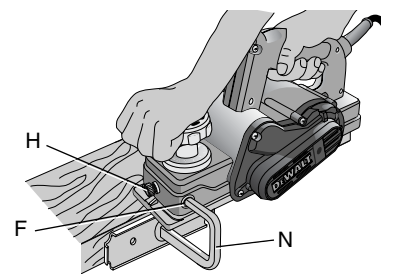


FIG. 7

#### HIGH-SPEED STEEL BLADE / LAME EN ACIER À COUPE RAPIDE / HOJA DE ACERO DE ALTA VELOCIDAD

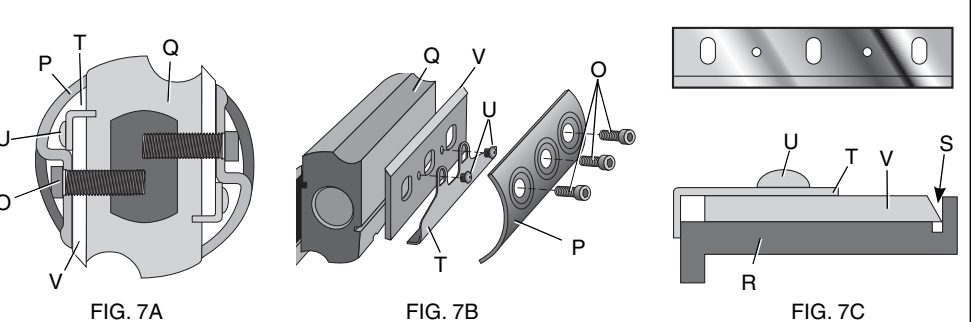


FIG. 8

#### CARBIDE BLADE / LAME AU CARBURE / HOJA DE CARBURO

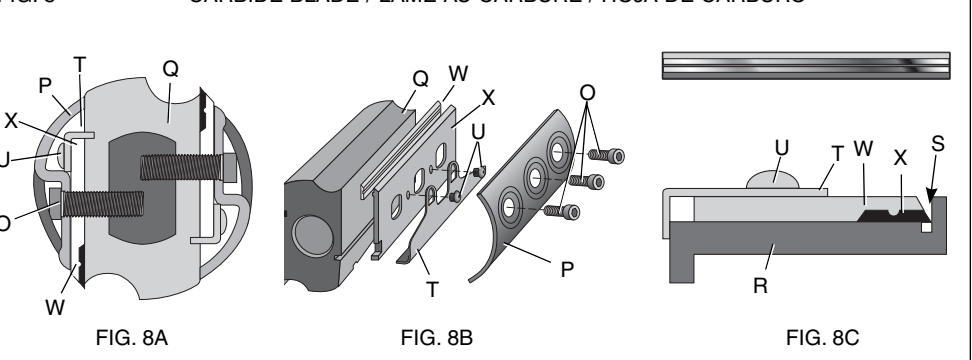


FIG. 9

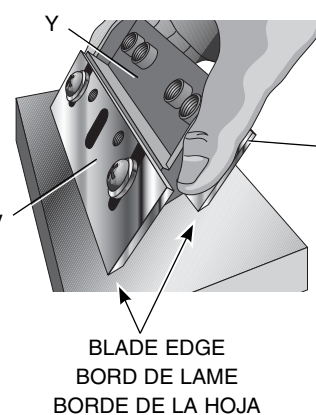


FIG. 10

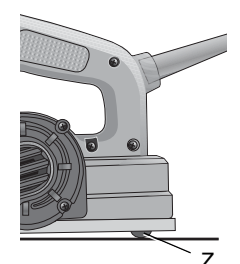
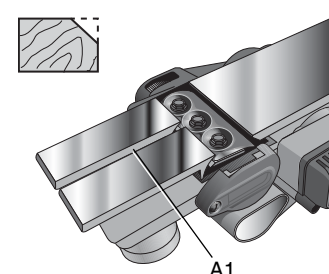


FIG. 11



- Place the drum cover (P) over the blade carrier/guide bar assembly. Loosely screw the three hex screws (O) into the drum (Q) so that there is a small gap between the drum and the blade carrier (X).
  - Slide the carbide blade between the drum (Q) and the blade carrier (X) so that the rib on the blade carrier sets into the groove in the blade.
  - Center the carbide blade (W) under the blade carrier (X) making sure the blade is clear of the tool housing on both sides.
  - Securely tighten the three hex screws (O) to the drum.
4. Repeat procedure for the other blade.

**NOTE:** If your planer is not fitted with carbide blades, the blade carrier (X) required for carbide blades is available at additional cost from your local DeWALT authorized service center.

### Sharpening High-Speed Steel Blades (Fig. 9)

**NOTE:** Carbide blades cannot be sharpened.

- Fasten the blades to the sharpening holder (Y). Make sure both blade edges (V) are facing the same direction.
- Place the blade edges so they rest flat on the grinding stone (not included).
- Firmly grip the sharpening holder and move it back and forward to sharpen the blades (V).

### Kickstand (Fig. 10)

Your planer is equipped with a kickstand (Z) that automatically lowers when the tool is lifted from the work surface allowing the planer to set on the work surface without the blade touching it. When planing, the kickstand raises as the tool is pushed forward through the material.

**CAUTION:** Do not lock the trigger switch on and engage the kickstand. The vibration of the running motor will cause the planer to move, possibly falling from the workpiece.

### Edge Chamfering (Fig. 11)

Your planer has a precision machined chamfering groove (A1) in the front shoe for planing along a corner of the wood. The width of the groove is 4.5 to 8 mm. It's a good idea to try a piece of scrap wood before doing finish work.

### Dust Adapter (Fig. 1)

A dual adapter (L) is available for the hand planer. The adapter can be attached to both 1" (inside diameter) and 3/8" (outside diameter) vacuum hose connectors for dust collection. Insert the adapter (L) onto chip discharge chute (K) and attach the appropriate vacuum hose connector to the adapter.

If the adapter is not included with your planer please contact your local DeWALT authorized service center to obtain one at additional cost.

## MAINTENANCE

**WARNING:** To reduce the risk of serious personal injury, turn tool off and disconnect tool from power source before making any adjustments or removing/installing attachments or accessories.

### Cleaning

**WARNING:** Clean the chip discharge chute (K) regularly. ALWAYS WEAR SAFETY GLASSES.

**WARNING:** Blow dirt and dust out of all air vents with dry air at least once a week. Wear proper ANSI Z87.1 (CAN/CSA Z94.3) eye protection and proper NIOSH/OSHA/MSHA respiratory protection when performing this.

**WARNING:** Never use solvents or other harsh chemicals for cleaning the non-metallic parts of the tool. These chemicals may weaken the plastic materials used in these parts. Use a cloth dampened only with water and mild soap. Never let any liquid get inside the tool; never immerse any part of the tool into a liquid.

### Lubrication

Your power tool requires no additional lubrication.

### Accessories

**WARNING:** Since accessories, other than those offered by DeWALT, have not been tested with this product, use of such accessories with this tool could be hazardous. To reduce the risk of injury, only DeWALT, recommended accessories should be used with this product.

Recommended accessories for use with your tool are available at extra cost from your local dealer or authorized service center. If you need assistance in locating any accessory, please contact DeWALT Industrial Tool Co., 701 East Joppa Road, Baltimore, MD 21286, call 1-800-4-DeWALT (1-800-433-9258) or visit our website www.dewalt.com.

### Repairs

To assure product SAFETY and RELIABILITY, repairs, maintenance and adjustments (including brush inspection and replacement) should be performed by a DeWALT factory service center, a DeWALT authorized service center or other qualified service personnel. Always use identical replacement parts.

### Three Year Limited Warranty

DeWALT will repair, without charge, any defects due to faulty materials or workmanship for three years from the date of purchase. This warranty does not cover part failure due to normal wear or tool abuse. For further detail of warranty coverage and warranty repair information, visit www.dewalt.com or call 1-800-4-DeWALT (1-800-433-9258). This warranty does not apply to accessories or damage caused where repairs have been made or attempted by others. This warranty gives you specific legal rights and you may have other rights which vary in certain states or provinces.

In addition to the warranty, DeWALT tools are covered by our:

#### 1 YEAR FREE SERVICE

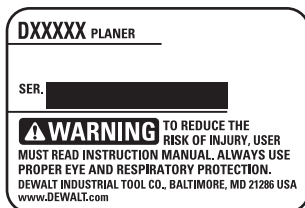
DeWALT will maintain the tool and replace worn parts caused by normal use, for free, any time during the first year after purchase.

#### 90 DAY MONEY BACK GUARANTEE

If you are not completely satisfied with the performance of your DeWALT Power Tool, Laser, or Nailer for any reason, you can return it within 90 days from the date of purchase with a receipt for a full refund – no questions asked.

**LATIN AMERICA:** This warranty does not apply to products sold in Latin America. For products sold in Latin America, see country specific warranty information contained either in the packaging, call the local company or see website for warranty information.

**FREE WARNING LABEL REPLACEMENT:** If your warning labels become illegible or are missing, call 1-800-4-DeWALT (1-800-433-9258) for a free replacement.



**AVERTISSEMENT:** afin de réduire le risque de blessures, lire le mode d'emploi de l'outil.

## Avvertissements de sécurité généraux pour les outils électriques



**AVERTISSEMENT!** Lire tous les avertissements de sécurité et les directives. Le non-respect des avertissements et des directives pourrait se solder par un choc électrique, un incendie et/ou une blessure grave.

## CONSERVER TOUS LES AVERTISSEMENTS ET TOUTES LES DIRECTIVES POUR UN USAGE ULTÉRIEUR

Le terme « outil électrique » cité dans les avertissements se rapporte à votre outil électrique à alimentation sur secteur (avec fil) ou par piles (sans fil).

### 1) SÉCURITÉ DU LIEU DE TRAVAIL

- Tenir l'aire de travail propre et bien éclairée.** Les lieux encombrés ou sombres sont propices aux accidents.
- Ne pas faire fonctionner d'outils électriques dans un milieu déflagrant, tel qu'en présence de liquides, de gaz ou de poussières inflammables.** Les outils électriques produisent des étincelles qui pourraient enflammer la poussière ou les vapeurs.
- Éloigner les enfants et les personnes à proximité pendant l'utilisation d'un outil électrique.** Une distraction pourrait en faire perdre la maîtrise à l'utilisateur.

### 2) SÉCURITÉ EN MATIÈRE D'ÉLECTRICITÉ

- Les fiches des outils électriques doivent correspondre à la prise. Ne jamais modifier la fiche d'aucune façon. Ne jamais utiliser de fiche d'adaptation avec un outil électrique mis à la terre.** Le risque de choc électrique sera réduit par l'utilisation de fiches non modifiées correspondant à la prise.
- Éviter tout contact physique avec des surfaces mises à la terre comme des tuyaux, des radiateurs, des cuisinières et des réfrigérateurs.** Le risque de choc électrique est plus élevé si votre corps est mis à la terre.
- Ne pas exposer les outils électriques à la pluie ou à l'humidité.** La pénétration de l'eau dans un outil électrique augmente le risque de choc électrique.
- Ne pas utiliser le cordon de façon abusive. Ne jamais utiliser le cordon pour transporter, tirer ou débrancher un outil électrique. Tenir le cordon éloigné de la chaleur, de l'huile, des bords tranchants et des pièces mobiles.** Les cordons endommagés ou enchevêtrés augmentent les risques de choc électrique.
- Pour l'utilisation d'un outil électrique à l'extérieur, se servir d'une rallonge convenant à cette application.** L'utilisation d'une rallonge conçue pour l'extérieur réduira les risques de choc électrique.
- S'il est impossible d'éviter l'utilisation d'un outil électrique dans un endroit humide, brancher l'outil dans une prise ou sur un circuit d'alimentation dotés d'un disjoncteur de fuite à la terre (GFCI).** L'utilisation de ce type de disjoncteur réduit les risques de choc électrique.

### 3) SÉCURITÉ PERSONNELLE

- Être vigilant, surveiller le travail effectué et faire preuve de jugement lorsqu'un outil électrique est utilisé. Ne pas utiliser d'outil électrique en cas de fatigue ou sous l'influence de drogues, d'alcool ou de médicaments.** Un simple moment d'inattention en utilisant un outil électrique peut entraîner des blessures corporelles graves.
- Utiliser des équipements de protection individuelle. Toujours porter une protection oculaire.** L'utilisation d'équipements de protection comme un masque antipoussière, des chaussures antidérapantes, un casque de sécurité ou des protecteurs auditifs lorsque la situation le requiert réduira les risques de blessures corporelles.
- Empêcher les démarrages intempestifs. S'assurer que l'interrupteur se trouve à la position d'arrêt avant de relier l'outil à une source d'alimentation et/ou d'insérer un bloc-piles, de ramasser ou de transporter l'outil.** Transporter un outil électrique alors que le doigt repose sur l'interrupteur ou brancher un outil électrique dont l'interrupteur est à la position de marche risque de provoquer un accident.
- Retirer toute clé de réglage ou clé avant de démarrer l'outil.** Une clé ou une clé de réglage attachée à une partie pivotante de l'outil électrique peut provoquer des blessures corporelles.
- Ne pas trop tendre les bras. Conserver son équilibre en tout temps.** Cela permet de mieux maîtriser l'outil électrique dans les situations imprévues.
- S'habiller de manière appropriée. Ne pas porter de vêtements amples ni de bijoux. Garder les cheveux, les vêtements et les gants à l'écart des pièces mobiles.** Les vêtements amples, les bijoux ou les cheveux longs risquent de rester coincés dans les pièces mobiles.
- Si des composants sont fournis pour le raccordement de dispositifs de dépoussiérage et de ramassage, s'assurer que ceux-ci sont bien raccordés et utilisés.** L'utilisation d'un dispositif de dépoussiérage peut réduire les dangers engendrés par les poussières.

### 4) UTILISATION ET ENTRETIEN D'UN OUTIL ÉLECTRIQUE

- Ne pas forcer un outil électrique. Utiliser l'outil électrique approprié à l'application.** L'outil électrique approprié effectuera un meilleur travail, de façon plus sûre et à la vitesse pour laquelle il a été conçu.
- Ne pas utiliser un outil électrique dont l'interrupteur est défectueux.** Tout outil électrique dont l'interrupteur est défectueux est dangereux et doit être réparé.
- Débrancher la fiche de la source d'alimentation et/ou du bloc-piles de l'outil électrique avant de faire tout réglage ou changement d'accessoire ou avant de ranger l'outil.** Ces mesures préventives réduisent les risques de démarrage accidentel de l'outil électrique.
- Ranger les outils électriques hors de la portée des enfants et ne permettre à aucune personne n'étant pas familière avec un outil électrique ou son mode d'emploi d'utiliser cet outil.** Les outils électriques deviennent dangereux entre les mains d'utilisateurs inexpérimentés.
- Entretien des outils électriques. Vérifier si les pièces mobiles sont mal alignées ou coincées, si des pièces sont brisées ou présentent toute autre condition susceptible de nuire au bon fonctionnement de l'outil électrique. En cas de dommage, faire réparer l'outil électrique avant toute nouvelle utilisation.** Beaucoup d'accidents sont causés par des outils électriques mal entretenus.
- S'assurer que les outils de coupe sont aiguisés et propres.** Les outils de coupe bien entretenus et affûtés sont moins susceptibles de se coincer et sont plus faciles à maîtriser.
- Utiliser l'outil électrique, les accessoires, les forets, etc. conformément aux présentes directives en tenant compte des conditions de travail et du travail à effectuer.** L'utilisation d'un outil électrique pour toute opération autre que celle pour laquelle il a été conçu est dangereuse.

### 5) RÉPARATION

- Faire réparer l'outil électrique par un réparateur professionnel en n'utilisant que des pièces de rechange identiques.** Cela permettra de maintenir une utilisation sécuritaire de l'outil électrique.

## Consignes additionnelles de sécurité propres aux raboteuses

- Attendre l'arrêt complet de l'organe de coupe avant de poser l'outil sur une surface quelconque.** L'organe de coupe à nu pourrait attaquer la surface et causer la perte de contrôle de l'outil et des dommages corporels graves.
- Utiliser des serre-joints, ou tout autre moyen, pour fixer et immobiliser le matériau sur une surface stable.** Tenir la pièce à la main ou contre son corps offre une stabilité insuffisante qui pourrait vous en faire perdre le contrôle.
- S'assurer que le voltage utilisé correspond bien à celui indiqué sur la plaque signalétique.**
- S'assurer que l'interrupteur de l'outil est en position d'arrêt avant de le brancher sur le secteur.**
- S'assurer de mettre immédiatement l'interrupteur en position d'ARRÊT si l'outil s'enraye.**
- S'assurer que l'outil est réglé à la bonne profondeur de coupe avant de le mettre en MARCHE.**
- S'assurer d'effectuer une bonne maintenance de l'outil. Suivre toute instruction relative à la lubrification et au changement d'accessoire.**
- Rester vigilant – ne jamais utiliser l'appareil en cas de fatigue ou sous l'influence de drogue, alcool ou médicaments.**
- S'assurer de bien ranger l'outil dans un endroit propre et sec après l'avoir débranché.**
- Ne pas l'utiliser dans un environnement dangereux. Ne pas utiliser l'outil à proximité de substances inflammables, sur des lieux humides ou détrempés, ou l'exposer à la pluie.**
- S'assurer que l'organe de coupe a bien été monté suivant les instructions du manuel, et que toute vis sur l'appareil est bien serrée avant de le brancher.**
- Maintenir tout évent libre de toute obstruction pour assurer le refroidissement correct du moteur.**

## Définitions : lignes directrices en matière de sécurité

Les définitions ci-dessous décrivent le niveau de danger pour chaque mot-indicateur employé. Veuillez lire le mode d'emploi et porter une attention particulière à ces symboles.

**▲DANGER :** indique une situation dangereuse imminente qui, si elle n'est pas évitée, causera la mort ou des blessures graves.

**▲AVERTISSEMENT :** indique une situation potentiellement dangereuse qui, si elle n'est pas évitée, pourrait se solder par un décès ou des blessures graves.

**▲ATTENTION :** indique une situation potentiellement dangereuse qui, si elle n'est pas évitée pourrait se solder par des blessures mineures ou modérées.

**AVIS :** indique une pratique ne posant aucun risque de dommages corporels mais qui par contre, si rien n'est fait pour l'éviter, pourrait poser des risques de dommages matériels.

POUR TOUTE QUESTION OU TOUT COMMENTAIRE RELATIF À CET OUTIL OU À PROPOS DE TOUT AUTRE OUTIL DeWALT, COMPOSER SANS FRAIS LE : 1-800-4-DeWALT (1-800-433-9258).

- NE PAS poser l’outil sur son patin lorsque ses lames sont à nu.. Ces dernières pourraient subir des dommages.*
- Maintenir systématiquement tout orifice latéral d’éjection libre de toute obstruction.
- Ne jamais passer la main sous l’outil à moins qu’il ne soit à l’arrêt et DÉBRANCHÉ. SES LAMES SONT À NU ET EXTRÊMEMENT COUPANTES.
- N'utiliser cet outil que pour travailler le bois ou tout produit du bois.
- Maintenir systématiquement l'appareil solidement par sa poignée avant, pendant toute utilisation.
- Utiliser systématiquement la raboteuse à deux mains.
- L'organe de coupe de la raboteuse est extrêmement acéré. Utiliser la raboteuse avec la plus grande vigilance.
- Nettoyer l'outil souvent, particulièrement après un usage intensif.
- Prendre des précautions à proximité des événements, car ils cachent des pièces mobiles.** Vêtements amples, bijoux ou cheveux longs risquent de rester coincés dans ces pièces mobiles.
- Pour la sécurité de l'utilisateur, utiliser une rallonge de calibre adéquat (AWG, American Wire Gauge [calibrage américain normalisé des fils électriques]).** Plus le calibre est petit, et plus sa capacité est grande. Un calibre 16, par exemple, a plus de capacité qu'un calibre 18. L'usage d'une rallonge de calibre insuffisant causera une chute de tension entraînant perte de puissance et surchauffe. Si plusieurs rallonges sont nécessaires pour obtenir une certaine longueur, s'assurer que chaque rallonge présente au moins le calibre de fil minimum. Le tableau ci-dessous illustre les calibres à utiliser selon la longueur de rallonge et l'intensité nominale indiquée sur la plaque signalétique. En cas de doute, utiliser le calibre suivant. Plus le calibre est petit, plus la rallonge peut supporter de courant.

Calibres minimaux des rallonges						
		Volts	Longueur totale de cordon en mètres (pieds)			
Intensité (en ampères)		120V	7,6 (25)	15,2 (50)	30,5 (100)	45,7 (150)
		240V	15,2 (50)	30,5 (100)	61,0 (200)	91,4 (300)
Plus de	Pas plus de	AWG				
0	6		18	16	16	14
6	10		18	16	14	12
10	12		16	16	14	12
12	16		14	12	Non recommandé	

**▲AVERTISSEMENT : Porter **SYSTÉMATIQUEMENT** des lunettes de protection. Les lunettes courantes NE sont PAS des lunettes de protection. Utiliser aussi un masque antipoussières si la découpe doit en produire beaucoup. PORTER SYSTÉMATIQUEMENT UN ÉQUIPEMENT DE SÉCURITÉ HOMOLOGUÉ :**

- Protection oculaire ANSI Z87.1 (CAN/CSA Z94.3 ;
- Protection auditive ANSI S12.6 (S3.19) ;
- Protection des voies respiratoires NIOSH/OSHA/MSHA.

**▲AVERTISSEMENT : Les scies, meules, ponceuses, perceuses ou autres outils de construction peuvent produire des poussières contenant des produits chimiques reconnus pour causer cancers, malformations congénitales ou être nocifs au système reproducteur. Parmi ces produits chimiques, on retrouve :**

- le plomb dans les peintures à base de plomb ;
- la silice cristallisée dans les briques et le ciment ou autres articles de maçonnerie ; et
- l'arsenic et le chrome dans le bois ayant subi un traitement chimique.

*Le risque associé à de telles expositions varie selon la fréquence à laquelle on effectue ces travaux. Pour réduire toute exposition à ces produits : travailler dans un endroit bien aéré, en utilisant du matériel de sécurité homologué tel un masque antipoussières spécialement conçu pour filtrer les particules microscopiques.*

- Limiter tout contact prolongé avec les poussières provenant du ponçage, sciage, meulage, perçage ou toute autre activité de construction. Porter des vêtements de protection et nettoyer à l’eau savonneuse les parties du corps exposées.** Le fait de laisser la poussière pénétrer dans la bouche, les yeux ou la peau peut provoquer l’absorption de produits chimiques dangereux.

**▲AVERTISSEMENT : Cet outil peut produire et/ou répandre de la poussière susceptible de causer des dommages sérieux et permanents au système respiratoire. Toujours utiliser un appareil respiratoire antipoussières homologué par le NIOSH ou l’OSHA. Diriger les particules dans le sens opposé au visage et au corps.**

**▲AVERTISSEMENT : Pendant l’utilisation, porter systématiquement une protection auditive individuelle adéquate homologuée ANSI S12.6 (S3.19).** Sous certaines conditions et suivant la longueur d'utilisation, le bruit émanant de ce produit pourrait contribuer à une perte de l’acuité auditive.

- L’étiquette apposée sur votre outil peut inclure les symboles suivants. Les symboles et leur définition sont définis ci-après :

V..... volts

Hz..... hertz

min ..... minutes

⎓ ..... courant continu

ⓘ ..... Classe / Fabrication (mis à la terre)

☐..... Classe II Fabrication (double isolation)

.../min ..... par minute

IPM.....impacts par minute

A..... ampères

W..... watts

~ ..... courant alternatif

⌚ ..... courant alternatif ou continu

n<sub>o</sub>..... vitesse à vide

⊕ ..... borne de terre

▲ ..... symbole d'avertissement

BPM..... battements par minute

r/min ..... tours par minute

## CONSERVER CES CONSIGNES

### DESCRIPTION (FIG. 1)

**▲AVERTISSEMENT : ne jamais modifier l’outil électrique ni aucun de ses composants, car il y a risques de dommages corporels ou matériels.**

- A. Interrupteur marche/arrêt
- B. Bouton de verrouillage en position de marche
- C. Poignée principale
- D. Patin arrière
- E. Couvercle de courroie
- F. Orifice du guide à rainure
- G. Patin avant
- H. Bouton de serrage du guide à rainure
- I. Réglette de profondeur de rabotage
- J. Bouton de réglage de profondeur de rabotage/poignée avant
- K. Couloir d’éjection
- L. Buse de dépoussiérage
- M. Couvercle de refeuillement

### UTILISATION

**▲AVERTISSEMENT : pour réduire tout risque de dommages corporels graves, arrêter et débrancher l’outil avant tout réglage ou avant de retirer ou installer toute pièce ou tout accessoire.**

#### Moteur

S'assurer que le courant utilisé correspond à celui indiqué sur la plaque signalétique. Une baisse de tension de plus de 10 % causera perte de puissance et surchauffe. Tous les outils DeWALT. sont soumis à des essais en usine ; si cet outil ne fonctionne pas, vérifier le secteur.

### Interrupteur (Fig. 1)

**▲ATTENTION : s’assurer que l’outil n’est pas verrouillé en position de MARCHE avant de le brancher. Si c’est le cas, lorsque l’outil sera branché, il se mettra immédiatement en marche. Cela pose des risques de dommages corporels et matériels.**

**▲ATTENTION : laisser l’outil atteindre sa vitesse maximum avant de le mettre en contact avec la surface à travailler. Retirer l’outil de la pièce à travailler avant de l’arrêter.**

Pour mettre la raboteuse en marche, appuyez sur l’interrupteur marche/arrêt (A).

Pour arrêter l’outil, relâchez l’interrupteur marche/arrêt.

#### BOUTON DE VERROUILLAGE EN POSITION DE MARCHE

L’outil peut être verrouillé en position de marche continue. Pour verrouiller l’outil en position de marche, appuyez sur l’interrupteur à gâchette (A) puis poussez le bouton de verrouillage en position de marche (B). Maintenez ce bouton de verrouillage enfoncé tout en relâchant lentement l’interrupteur. L’outil continuera de tourner.

Pour arrêter l’outil lorsqu’il est verrouillé en position de marche, appuyez une fois sur l’interrupteur à gâchette puis relâchez.

### Réglage de la profondeur de rabotage (Fig. 1)

Pour régler la profondeur de coupe, tournez le bouton de réglage de profondeur de rabotage (J). Chaque clic correspond à 0,1 mm de profondeur, et ce, jusqu’à une profondeur maximum de coupe de 1,6 mm (1/16 po).

Il est recommandé de faire un essai sur un morceau de bois après chaque réajustement pour s’assurer que seule la quantité de bois désirée sera enlevée par la raboteuse. Plusieurs passages légers (plutôt qu’un seul profond) produiront un fini plus satiné.

### Rabotage (Fig. 1 à 4)

**▲ATTENTION : laisser l’outil tourner à plein régime avant de le mettre en contact avec la surface à travailler. Retirer l’outil de la pièce à travailler avant de l’arrêter.**

Maintenez la raboteuse dans la bonne position, une main sur la poignée avant (J) et l’autre sur la poignée principale (C), comme illustré en figure 2. Placez le patin avant (G) sur la surface à raboter, en s’assurant que l’organe de coupe ne touche pas la surface. Appuyez fermement sur la poignée avant de la raboteuse pour que le patin avant soit COMPLÈTEMENT À PLAT sur la surface à travailler. Appuyez sur la gâchette et laissez l’outil atteindre sa vitesse maximum avant de laisser les lames entrer en contact avec la surface à travailler.

Faites avancer l’outil lentement sur la surface à travailler en exerçant une certaine pression pour maintenir la raboteuse horizontale. Faites particulièrement attention à maintenir l’outil à l’horizontale aux deux extrémités de la surface à travailler.

**Conseil de rabotage :** pour une apparence satinée, ajoutez un morceau de bois à l’extrémité de la pièce à raboter. Continuez de raboter tant que les lames de la raboteuse ne sont pas au-delà de la pièce à travailler, sur le morceau rajouté.

### Guide à rainure (Fig. 5, 6)

**▲AVERTISSEMENT : laisser l’outil tourner à plein régime avant de le mettre en contact avec la surface à travailler. Retirer l’outil de la pièce à travailler avant de l’arrêter.**

Le guide à rainure (N) est utilisé pour optimiser le contrôle de l’outil sur des pièces étroites, et peut être installé sur l’un ou l’autre côté de la raboteuse. La raboteuse peut effectuer des feuillures jusqu’à 9 mm (23/64 po).

#### POUR INSTALLER LE GUIDE À RAINURE

- Desserrez le bouton de serrage du guide à rainure (H).
- Faites glisser la barre latérale du guide à rainure (N) dans le trou (F) sur le côté de la raboteuse, comme illustré en figure 5.
- Ajustez la largeur de coupe en réglant le guide de chant transversalement au patin.
- Resserrez soigneusement le bouton de serrage du guide à rainure.

**REMARQUE :** le guide à rainure doit se trouver plus bas que la raboteuse pour être installé correctement, comme illustré en figure 6.

#### POUR FAIRE UNE RAINURE

- Ajustez le bouton de réglage du guide à rainure (H) pour déterminer la largeur de coupe.
- Repassez plusieurs fois jusqu’à ce que la profondeur voulue soit atteinte.

**REMARQUE :** un nombre répété de coupes sera nécessaire pour la plupart des découpes de rainures.

### Changement de lames (Fig. 7, 8)

Cette raboteuse peut utiliser des lames en acier à coupe rapide et au carbure. Assurez-vous de vérifier quel type de lames est installé sur la raboteuse.

#### LAMES EN ACIER À COUPE RAPIDE (FIG. 7)

D26676

- Pour retirer la lame de la raboteuse (Fig. 7B)**

- Desserrez puis retirez les trois vis à tête hexagonale (O) à l’aide de la clé hexagonale de 9 mm fournie à cet effet. Retirez le couvercle du logement des lames (P) du logement (Q).
- Retirez avec précautions le dispositif barre de guidage/lame en acier à coupe rapide (V, U, T).

- Pour régler la lame à l’aide de la plaque étalon (fournie avec l’outil), (Fig. 7C)**

- Disposez le dispositif barre de guidage/lame en acier à coupe rapide sur la plaque étalon (R) en alignant le bord acéré de la lame en acier à coupe rapide tout contre la paroi interne (S) de la plaque étalon.. Le talon de la barre de guidage (T) débordera sur l’extrémité de la plaque étalon (R).
- Desserrez les deux vis en croix (U) avec la clé pourvue à cet effet.
- Poussez simultanément la lame en acier à coupe rapide (V) et la barre de guidage (T) contre la paroi interne (S) de la plaque étalon, en vous assurant que la lame est maintenue fermement contre la paroi interne (S) de la plaque étalon puis resserrez fermement les vis en croix (U).

- Pour réinstaller la lame (Fig. 7A, 7B)**

- Retirez avec précautions le dispositif ajusté barre de guidage/lame en acier à coupe rapide de la plaque étalon (R) et placez le talon de la barre de guidage (T) dans la rainure du logement (Q).
- Posez le couvercle du logement de lames (P) sur le dispositif ajusté barre de guidage/lame en acier à coupe rapide et vissez soigneusement les trois vis hexagonales (O) sur le logement.

- Répétez la même procédure pour l’autre lame.

**REMARQUE :** si votre raboteuse n’est pas équipée de lames en acier à coupe rapide, un porte-meule (Y), requis pour affûter les lames à coupe rapide, est à votre disposition, en option, auprès des centres de réparation autorisés DeWALT.

#### LAMES AU CARBURE RÉVERSIBLES (FIG. 8)

D26677

- Pour retirer la lame de la raboteuse (Fig. 8B)**

- Desserrez puis retirez les trois vis à tête hexagonale (O) à l’aide de la clé hexagonale de 9 mm fournie à cet effet. Retirez le couvercle du logement des lames (P) du logement (Q).
- Retirez le dispositif porte-lame/barre de guidage (T, U, X, W). Retirez avec précautions la lame au carbure (W).

- Pour régler la lame à l’aide de la plaque étalon (fournie avec l’outil), (Fig. 8C)**

- Placez avec précautions la lame au carbure sur la plaque étalon (R), son côté avec la rainure vers le haut.. L’un ou l’autre côté de la lame réversible au carbure peut être aligné tout contre la paroi interne (S) de la plaque étalon..
- Placez le dispositif porte-lame/barre de guidage sur la lame de façon à ce que la nervure du porte-lame (X) s’encastre dans la rainure de la lame au carbure (W). Le talon du porte-lame (X) débordera de la plaque étalon (R).
- Desserrez les deux vis en croix (U) avec la clé pourvue à cet effet.
- Poussez simultanément le porte-lame (X) et la barre de guidage (T) contre la paroi interne (S) de la plaque étalon, en vous assurant que la lame au carbure (W) est maintenue fermement contre la paroi interne (S) de la plaque étalon puis resserrez fermement les deux vis en croix (U).

- Pour réinstaller la lame (Fig. 8A, 8B)**

- Retirez avec précautions le dispositif ajusté porte-lame/barre de guidage de la plaque étalon (R) et placez le talon de la barre de guidage (T) dans la rainure du logement (Q).
- Remplacez le couvercle du logement (P) sur le dispositif porte-lame/barre de guidage. Vissez légèrement les trois vis hexagonales (O) dans le logement de lames (Q) de façon à laisser un interstice entre le logement et le porte-lame (X).
- Insérez la lame au carbure entre le logement (Q) et le porte-lame (X) de façon à ce que la nervure sur le porte-lame s’encastre dans la rainure de la lame.
- Centrez la lame au carbure (W) sous le porte-lame (X) en vous assurant que la lame ne touche pas les côtés du boîtier de l’outil.
- Vissez fermement les trois vis hexagonales (O) sur le logement de lames.
- Répétez la même procédure pour l’autre lame.

**REMARQUE :** si votre raboteuse n’est pas équipée de lames au carbure, un porte-lame (X), requis pour les lames au carbure, est à votre disposition, en option, auprès des centres de réparation autorisés DeWALT.

### Affûtage des lames en acier à coupe rapide (Fig. 9)

**REMARQUE :** les lames au carbure ne peuvent pas être affûtées.

- Rattachez les lames au porte-meule (Y). Assurez-vous que les deux bords de lames (V) sont dans le même sens.
- Placez les bords de lame de façon à ce qu’ils reposent contre la meule (non incluse).
- Attrapez fermement le porte-meule et déplacez-le d’avant en arrière pour affûter les lames (V)

### Béquille (Fig. 10)

La raboteuse est munie d’une béquille (Z) qui se déplie automatiquement lorsque l’outil est soulevé de la surface de travail, permettant à la raboteuse d’être posée sur la surface de travail sans que la lame ne touche cette dernière. Lors du rabotage, la béquille se rétracte dès que l’outil est poussé en avant dans le matériau.

⚠ **ATTENTION** : ne pas verrouiller la gâchette lorsque la béquille est activée. Les vibrations du moteur pourraient faire bouger la raboteuse, et la faire tomber hors de la pièce de travail.

## Chanfreinage (Fig. 11)

La raboteuse est équipée d'une rainure (A1) haute précision de chanfreinage sur le patin avant pour raboter un coin de bois. La largeur de rainure va de 4,5 à 8 mm. Il est recommandé de faire des essais sur un rebut avant tout travail définitif.

## Buse de dépoussiérage (Fig. 1)

La raboteuse portable est équipée d'une buse double (L). La buse peut être rattachée aux deux raccords de tuyau d'aspirateur de 1 po (diamètre interne) et 35 mm (diamètre externe) pour aspirer la poussière. Insérez la buse (L) sur le couloir d'éjection (K) et rattachez le raccord de tuyau d'aspirateur approprié à la buse.

Si la buse n'est pas incluse avec votre raboteuse, veuillez contacter votre centre de réparation agréé DeWALT pour en obtenir une en option.

## MAINTENANCE

⚠ **AVERTISSEMENT** : Pour réduire le risque de blessures, éteindre l'appareil et le débrancher avant d'installer ou de retirer tout accessoire et avant d'effectuer des réglages ou des réparations. Un démarrage accidentel peut provoquer des blessures.

### Entretien

⚠ **AVERTISSEMENT** : nettoyer régulièrement le couloir d'éjection (K). PORTER SYSTÉMATIQUEMENT DES LUNETTES DE PROTECTION.

⚠ **AVERTISSEMENT** : Expulser tout débris ou poussière des événements à l'aide d'un jet d'air sec au moins une fois par semaine. Porter une protection oculaire ANSI Z87.1 (CAN/CSA Z94.3) et respiratoire NIOSH/OSHA/MSHA adéquates pour effectuer cette opération.

⚠ **AVERTISSEMENT** : Ne jamais utiliser de solvants ou tout autre produit chimique décapant pour nettoyer les parties non métalliques de l'outil. Ces produits chimiques pourraient attaquer les matériaux plastiques utilisés. Utilisez un chiffon humidifié avec de l'eau et un savon doux. S'assurer qu'aucun liquide ne pénètre dans l'outil ; ne jamais immerger aucune partie de l'outil dans un liquide.

### Lubrification

Cet outil électrique ne requiert aucune lubrification additionnelle.

### Accessoires

⚠ **AVERTISSEMENT** : Comme les accessoires autres que ceux fournis par DeWALT n'ont pas été testés avec ce produit, leur utilisation avec cet appareil pourrait comporter un danger. Pour réduire tout risque de dommages corporels, seuls des accessoires DeWALT recommandés doivent être utilisés avec cet appareil.

Les accessoires recommandés pour cet outil sont vendus séparément chez les distributeurs locaux ou dans les centres de réparation agréés. Si vous avez besoin d'aide pour localiser ces accessoires, veuillez contacter DeWALT Industrial Tool Co., 701 East Joppa Road, Baltimore, MD 21286 ou appeler 1-800-4-DeWALT (1-800-433-9258) ou vous rendre sur notre site [www.dewalt.com](http://www.dewalt.com).

### Réparations

Pour assurer la SÉCURITÉ et la FIABILITÉ du produit, les réparations, l'entretien et les réglages (y compris l'inspection et le remplacement de la brosse) doivent être réalisés par un centre de réparation en usine DeWALT, un centre de réparation autorisé DeWALT ou par un personnel de réparation professionnel. Toujours utiliser des pièces de rechange identiques.

### Garantie limitée trois ans

DeWALT réparera gratuitement tous les problèmes dus à des défauts de matériau ou de fabrication pendant trois ans à compter de la date d'achat. Cette garantie ne couvre pas des défaillances de pièce dues à une usure normale ou à une mauvaise utilisation de l'outil. Pour plus de détails relatifs à la couverture de la garantie et aux réparations sous garantie, visiter le site Web [www.dewalt.com](http://www.dewalt.com) ou composer le 1 (800) 4-DeWALT (1-800-433-9258). Cette garantie ne s'applique pas aux accessoires ni aux dommages causés par des réparations réalisées ou tentées par des tiers. Cette garantie vous accorde des droits légaux spécifiques et il est possible que vous ayez d'autres droits qui varient d'un État ou d'une province à l'autre.

En plus de la garantie, les outils DeWALT sont couverts par notre :

#### SERVICE D'ENTRETIEN GRATUIT DE 1 AN

DeWALT entretiendra l'outil et remplacera les pièces usées par une utilisation normale et ce, gratuitement, à tout instant pendant la première année à compter de la date d'achat.

#### GARANTIE DE REMBOURSEMENT DE 90 JOURS

Si vous n'êtes pas entièrement satisfait des performances de votre outil électrique, laser ou de votre cloueuse DeWALT pour quelque raison que ce soit, vous pouvez le retourner accompagné d'un reçu dans les 90 jours suivant la date d'achat et nous vous rembourserons entièrement – sans poser de questions.

**AMÉRIQUE LATINE** : cette garantie ne s'applique pas aux produits vendus en Amérique latine. Pour ceux-ci, veuillez consulter les informations relatives à la garantie spécifique présente dans l'emballage, appeler l'entreprise locale ou consulter le site Web pour les informations relatives à cette garantie.

**REPLACEMENT GRATUIT DES ÉTIQUETTES D'AVERTISSEMENT** : si les étiquettes d'avertissement deviennent illisibles ou sont manquantes, composer le 1 (800) 4-DeWALT (1-800-433-9258) pour en obtenir le remplacement gratuit.



### Definiciones: Normas de seguridad

Las siguientes definiciones describen el nivel de gravedad de cada palabra de señal. Lea el manual y preste atención a estos símbolos.


⚠ **PELIGRO**: indica una situación de peligro inminente que, si no se evita, provocará la muerte o lesiones graves.

⚠ **ADVERTENCIA**: indica una situación de peligro potencial que, si no se evita, podría provocar la muerte o lesiones graves.

⚠ **ATENCIÓN**: indica una situación de peligro potencial que, si no se evita, posiblemente provocaría lesiones leves o moderadas.

**AVISO**: se refiere a una práctica no relacionada a lesiones corporales que de no evitarse puede resultar en daños a la propiedad.

SI TIENE ALGUNA DUDA O ALGÚN COMENTARIO SOBRE ÉSTA U OTRA HERRAMIENTA DeWALT, LLÁMENOS AL NÚMERO GRATUITO: 1-800-4-DeWALT (1-800-433-9258)

 **ADVERTENCIA**: Para reducir el riesgo de lesiones, lea el manual de instrucciones.

### Advertencias generales de seguridad para herramientas eléctricas

⚠ **ADVERTENCIA!** Lea todas las advertencias de seguridad e instrucciones. El incumplimiento de las advertencias e instrucciones puede provocar descargas eléctricas, incendios o lesiones graves.

### CONSERVE TODAS LAS ADVERTENCIAS E INSTRUCCIONES PARA FUTURAS CONSULTAS

El término "herramienta eléctrica" incluido en las advertencias hace referencia a las herramientas eléctricas operadas con corriente (con cable eléctrico) o a las herramientas eléctricas operadas con baterías (inalámbricas).

#### 1) SEGURIDAD EN EL ÁREA DE TRABAJO

a) **Mantenga el área de trabajo limpia y bien iluminada.** Las áreas abarrotadas y oscuras propician accidentes.

b) **No opere las herramientas eléctricas en atmósferas explosivas, como ambientes donde haya polvo, gases o líquidos inflamables.** Las herramientas eléctricas originan chispas que pueden encender el polvo o los vapores.

c) **Mantenga alejados a los niños y a los espectadores de la herramienta eléctrica en funcionamiento.** Las distracciones pueden provocar la pérdida de control.

#### 2) SEGURIDAD ELÉCTRICA

a) **Los enchufes de la herramienta eléctrica deben adaptarse al tomacorriente. Nunca modifique el enchufe de ninguna manera. No utilice ningún enchufe adaptador con herramientas eléctricas con conexión a tierra.** Los enchufes no modificados y que se adaptan a los tomacorrientes reducirán el riesgo de descarga eléctrica.

b) **Evite el contacto corporal con superficies con descargas a tierra como, por ejemplo, tuberías, radiadores, cocinas eléctricas y refrigeradores.** Existe mayor riesgo de descarga eléctrica si su cuerpo está puesto a tierra.

c) **No esponga las herramientas eléctricas a la lluvia o a condiciones de humedad.** Si entra agua a una herramienta eléctrica, aumentará el riesgo de descarga eléctrica.

d) **No maltrate el cable. Nunca utilice el cable para transportar, tirar o desenchufar la herramienta eléctrica. Mantenga el cable alejado del calor, el aceite, los bordes filosos y las piezas móviles.** Los cables dañados o enredados aumentan el riesgo de descarga eléctrica.

e) **Al operar una herramienta eléctrica en el exterior, utilice un cable prolongador adecuado para tal uso.** Utilice un cable adecuado para uso en exteriores a fin de reducir el riesgo de descarga eléctrica.

f) **Si el uso de una herramienta eléctrica en un lugar húmedo es imposible de evitar, utilice un suministro protegido con un interruptor de circuito por falla a tierra (GFCI).** El uso de un GFCI reduce el riesgo de descargas eléctricas.

#### 3) SEGURIDAD PERSONAL

a) **Permanezca alerta, controle lo que está haciendo y utilice el sentido común cuando emplee una herramienta eléctrica. No utilice una herramienta eléctrica si está cansado o bajo el efecto de drogas, alcohol o medicamentos.** Un momento de descuido mientras se opera una herramienta eléctrica puede provocar lesiones personales graves.

b) **Utilice equipos de protección personal. Siempre utilice protección para los ojos.** En las condiciones adecuadas, el uso de equipos de protección, como máscaras para polvo, calzado de seguridad antideslizante, cascos o protección auditiva, reducirá las lesiones personales.

c) **Evite el encendido por accidente. Asegúrese de que el interruptor esté en la posición de apagado antes de conectarlo a la fuente de energía o paquete de baterías, o antes de levantar o transportar la herramienta.** Transportar herramientas eléctricas con el dedo apoyado en el interruptor o enchufar herramientas eléctricas con el interruptor en la posición de encendido puede propiciar accidentes.

d) **Retire la clavija de ajuste o la llave de tuercas antes de encender la herramienta eléctrica.** Una llave de tuercas o una clavija de ajuste que quede conectada a una pieza giratoria de la herramienta eléctrica puede provocar lesiones personales.

e) **No se estire. Conserve el equilibrio y párese adecuadamente en todo momento.** Esto permite un mejor control de la herramienta eléctrica en situaciones inesperadas.

f) **Use la vestimenta adecuada. No use ropas holgadas ni joyas. Mantenga el cabello, la ropa y los guantes alejados de las piezas en movimiento.** Las ropas holgadas, las joyas o el cabello largo pueden quedar atrapados en las piezas en movimiento.

g) **Si se suministran dispositivos para la conexión de accesorios con fines de recolección y extracción de polvo, asegúrese de que estén conectados y que se utilicen correctamente.** El uso de dispositivos de recolección de polvo puede reducir los peligros relacionados con el polvo.

#### 4) USO Y MANTENIMIENTO DE LA HERRAMIENTA ELÉCTRICA

a) **No fuerce la herramienta eléctrica. Utilice la herramienta eléctrica correcta para el trabajo que realizará.** Si se la utiliza a la velocidad para la que fue diseñada, la herramienta eléctrica correcta permite trabajar mejor y de manera más segura.

b) **No utilice la herramienta eléctrica si no puede encenderla o apagarla con el interruptor.** Toda herramienta eléctrica que no pueda ser controlada mediante el interruptor es peligrosa y debe repararse.

c) **Desconecte el enchufe de la fuente de energía o el paquete de baterías de la herramienta eléctrica antes de realizar ajustes, cambiar accesorios o almacenar la herramienta eléctrica.** Estas medidas de seguridad preventivas reducen el riesgo de encender la herramienta eléctrica en forma accidental.

d) **Guarde la herramienta eléctrica que no esté en uso fuera del alcance de los niños y no permita que otras personas no familiarizadas con ella o con estas instrucciones operen la herramienta.** Las herramientas eléctricas son peligrosas si son operadas por usuarios no capacitados.

e) **Realice el mantenimiento de las herramientas eléctricas. Revise que no haya piezas en movimiento mal alineadas o trabadas, piezas rotas o cualquier otra situación que pueda afectar el funcionamiento de la herramienta eléctrica. Si encuentra daños, haga reparar la herramienta eléctrica antes de utilizarla.** Se producen muchos accidentes a causa de las herramientas eléctricas que carecen de un mantenimiento adecuado.

f) **Mantenga las herramientas de corte afiladas y limpias.** Las herramientas de corte con mantenimiento adecuado y con los bordes de corte afilados son menos propensas a trabarse y son más fáciles de controlar.

g) **Utilice la herramienta eléctrica, los accesorios y las brocas de la herramienta, etc. de acuerdo con estas instrucciones y teniendo en cuenta las condiciones de trabajo y el trabajo que debe realizarse.** El uso de la herramienta eléctrica para operaciones diferentes de aquéllas para las que fue diseñada podría originar una situación peligrosa.

#### 5) MANTENIMIENTO

a) **Solicite a una persona calificada en reparaciones que realice el mantenimiento de su herramienta eléctrica y que sólo utilice piezas de repuesto idénticas.** Esto garantizará la seguridad de la herramienta eléctrica.

### Instrucciones de seguridad adicionales para cepilladoras

- **Espere a que la cuchilla se detenga antes de descargar la herramienta.** Una cuchilla expuesta puede engranar en la superficie causando una posible pérdida de control y lesiones graves
- **Use abrazaderas u otra manera práctica de fijar y sujetar la pieza de trabajo a una plataforma estable.** El sujetar la pieza con la mano o contra su cuerpo la vuelve inestable y puede dar como resultado el que pierda el control.
- Cerciórese de que el voltaje esté de acuerdo con los datos específicos en la placa de características.
- Cerciórese de que el interruptor esté en posición off (apagado) antes de conectar la clavija a una fuente de electricidad.
- Asegúrese de APAGAR inmediatamente si la herramienta se atasca durante el trabajo.
- Cerciórese de que la herramienta esté ajustada para la profundidad correcta antes de ENCENDERLA.
- Asegúrese de prestar el adecuado mantenimiento a la herramienta. Siga las instrucciones para lubricar y cambiar piezas.
- Manténgase alerta: nunca haga funcionar la unidad cuando esté cansado o bajo la influencia de drogas, alcohol o medicamentos.
- Asegúrese de almacenar la herramienta en un lugar seco y limpio después de desconectarla de la fuente de energía.
- No utilice la herramienta en ambientes peligrosos. No utilice la herramienta cerca de sustancias inflamables, en ambientes húmedos o mojados, ni la esponga a la lluvia.
- Cuidé que las hojas estén instaladas de la forma descrita en el manual de instrucciones y compruebe que todos los tornillos estén firmemente apretados antes de conectar la unidad a una fuente de electricidad.
- Mantenga las rejillas de ventilación sin obstrucciones a fin de permitir la adecuada refrigeración del motor.
- NO descansa la herramienta sobre la zapata cuando las hojas se encuentren expuestas. Esto puede desportillar las hojas.
- Mantenga la tolva de descarga lateral libre de obstáculos en todo momento.
- Nunca ponga la mano debajo de la herramienta por ningún motivo a no ser que esté apagada y DESENCHUFADA. LAS HOJAS ESTÁN EXPUESTAS Y SON EXTREMADAMENTE AFLADAS.
- Utilice esta herramienta para trabajar sólo con madera y con productos de madera.
- Nunca opere sin sostener firmemente la agarradera frontal.
- Siempre opere la cepilladora con las dos manos.
- Las hojas de la cepilladora son extremadamente afiladas. Maneje con mucho cuidado.
- Limpie su herramienta periódicamente, especialmente después de realizar trabajos pesados.

- Los orificios de ventilación suelen cubrir piezas en movimiento, por lo que también se deben evitar.** La ropa suelta, las joyas y el pelo largo pueden quedar atrapados en las piezas móviles.
- Los hilos del alargador deben ser de un calibre apropiado (AWG o American Wire Gauge) para su seguridad.** Mientras menor sea el calibre del hilo, mayor la capacidad del cable. Es decir, un hilo calibre 16 tiene mayor capacidad que uno de 18. Un cable de un calibre insuficiente causará una caída en la tensión de la línea dando por resultado una pérdida de energía y sobrecalentamiento. Cuando se utilice más de un alargador para completar el largo total, asegúrese que los hilos de cada alargador tengan el calibre mínimo. La tabla siguiente muestra el tamaño correcto a utilizar, dependiendo de la longitud del cable y del amperaje nominal de la placa de identificación. Si tiene dudas sobre cuál calibre usar, use un calibre mayor. Cuanto más pequeño sea el número del calibre, más resistente será el cable.

Calibre mínimo para juegos de cables						
Capacidad nominal en amperios		Voltios	Largo total del cable en metros (en pies)			
		120V	7,6 (25)	15,2 (50)	30,5 (100)	45,7 (150)
		240V	15,2 (50)	30,5 (100)	61,0 (200)	91,4 (300)
Desde	Hasta	AWG				
0	6		18	16	16	14
6	10		18	16	14	12
10	12		16	16	14	12
12	16		14	12	No recomendado	

**▲ADVERTENCIA:** Use **SIEMPRE** lentes de seguridad. Los anteojos de diario **NO SON** lentes de seguridad. Utilice además una máscara para la cara o guardapolvo si la operación de corte genera demasiado polvo. **SIEMPRE LLEVE EQUIPO DE SEGURIDAD CERTIFICADO:**

- Protección ocular ANSI Z87.1 (CAN/CSA Z94.3),
- Protección auditiva ANSI S12.6 (S3.19),
- Protección respiratoria NIOSH/OSHA/MSHA.

**▲ADVERTENCIA:** Parte del polvo generado al lijar, serrar, esmerilar o taladrar, así como al realizar otras actividades del sector de la construcción, contienen productos químicos que pueden producir cáncer, defectos congénitos u otras afecciones reproductivas. Algunos ejemplos de estos químicos son:

- plomo procedente de pinturas basadas en plomo,
- óxido de silicio cristalino procedente de ladrillos, cemento y otros productos de mampostería, y
- arsénico o cromo procedente de madera tratada químicamente.

Su riesgo de exposición a estos químicos varía, dependiendo de la frecuencia con la cual realiza usted este tipo de trabajo. Para reducir su exposición a estos químicos, trabaje en un lugar con buena ventilación y trabaje con equipo de seguridad aprobado, como máscaras antipolvo especialmente diseñadas para filtrar partículas microscópicas.

- Evite el contacto prolongado con polvo generado por el lijado, serruchado, pulido y taladrado mecánico y otras actividades de construcción. Vista ropas protectoras y lave las áreas de la piel expuestas con agua y jabón.** Si permite que el polvo se introduzca en la boca u ojos o quede sobre la piel, puede favorecer la absorción de productos químicos peligrosos.

**▲ADVERTENCIA:** La utilización de esta herramienta puede generar polvo o dispersarlo, lo que podría causar daños graves y permanentes al sistema respiratorio, así como otras lesiones. Siempre use protección respiratoria aprobada por NIOSH (Instituto Nacional de Seguridad y Salud en el Trabajo) u OSHA (Administración de Seguridad y Salud en el Trabajo) apropiada para la exposición al polvo. Dirija las partículas en dirección contraria a la cara y el cuerpo.

**▲ADVERTENCIA:** **Siempre lleve la debida protección auditiva personal en conformidad con ANSI S12.6 (S3.19) durante el uso de esta herramienta.** Bajo algunas condiciones y duraciones de uso, el ruido producido por este producto puede contribuir a la pérdida auditiva.

- La etiqueta de su herramienta puede incluir los siguientes símbolos. A continuación se indican los símbolos y sus definiciones:

V.....	voltios	A .....	amperios
H <sub>z</sub> .....	hercios	W.....	vatios
min .....	minutos	~ .....	corriente alterna
== .....	corriente directa	≈ .....	corriente alterna o directa
Ⓛ .....	Construcción de clase I (tierra)	ηo .....	velocidad sin carga
Ⓜ .....	Construcción de clase II (doble aislamiento)	⊕ .....	terminal de conexión a tierra
.../min .....	por minuto	▲ .....	símbolo de advertencia de seguridad
IPM.....	impactos por minuto	BPM.....	golpes por minuto
		RPM .....	revoluciones por minuto

## CONSERVE ESTAS INSTRUCCIONES

### COMPONENTES (FIG. 1)

**▲ADVERTENCIA:** Nunca modifique la herramienta eléctrica, ni tampoco ninguna de sus piezas. Podría producir lesiones corporales.

- |                                      |   |
|--------------------------------------|---|
| A. Conmutador de encendido y apagado | H. Perilla de apriete del cerco de rebajo                         |
| B. Botón de bloqueo en encendido     | I. Graduación de la altura del cepillado                          |
| C. Agarradera principal              | J Perilla de ajuste de la altura del cepillado/agarradera frontal |
| D. Zapata trasera                    | K. Tolva de descarga de astillas                                  |
| E. Cubierta de la banda del impulsor | L. Adaptador para polvo   |
| F. Orificio para cerco de rebajo     | M. Cubierta para rebajado   |
| G. Zapata frontal                    |   |

### FUNCIONAMIENTO

**▲ADVERTENCIA:** Para reducir el riesgo de lesiones corporales graves, apague la herramienta y desconéctela de la fuente de alimentación antes de realizar ajustes o de quitar o poner accesorios.

### Motor

Compruebe que el suministro eléctrico concuerde con el indicado en la placa de características. Caídas de voltaje de más de 10% causarán una pérdida de potencia y sobrecalentamiento. Las herramientas DEWALTvienen probadas de fábrica; si esta herramienta no funciona, verifique la fuente de alimentación.

### Interruptor (Fig. 1)

**▲ATENCIÓN:** Verifique que la herramienta no esté bloqueada en OPERACIÓN CONTINUA antes de enchufarla a la toma de corriente. Si el interruptor de gatillo está bloqueado en OPERACIÓN CONTINUA, la herramienta arrancará apenas sea enchufada. Esto podría dañar la herramienta o resultar en lesiones corporales.

**▲ATENCIÓN:** Deje que la herramienta alcance su velocidad total antes de tocar con ella la superficie de la pieza de trabajo. Levante la herramienta de la superficie de trabajo antes de apagarla.

Para encender la cepilladora, presione el interruptor de encendido/apagado (A).

Para apagar la cepilladora, suelte el interruptor de encendido y apagado.

#### BOTÓN DE BLOQUEO EN ON

La herramienta puede ser bloqueada para operar continuamente. Para bloquear la herramienta en operación continua, presione el interruptor de gatillo (A) y oprima el botón de bloqueo (B). Mantenga apretado el botón de bloqueo al tiempo que suelta el interruptor tipo gatillo suavemente. La herramienta continuará en funcionamiento.

Para apagar la herramienta desde la posición de funcionamiento continuo, pulse y suelte el gatillo una vez.

### Cómo ajustar la altura del cepillado (Fig. 1)

Para ajustar la profundidad de corte, gire la perilla de ajuste de la altura del cepillado (J). Cada clic es igual a 0,1 mm de profundidad hasta la máxima profundidad de corte de aproximadamente 1,6 mm (1/16 pulg.).

Se recomienda que se hagan cortes de prueba en madera de desecho después de cada reajuste, para asegurarse de que la cepilladora remueva la cantidad deseada de madera. Varios pasadas de poca profundidad (en vez de una profunda) producirán un acabado más suave.

### Cepillado (Fig. 1 a 4)

**▲ATENCIÓN:** Deje que la herramienta alcance su velocidad total antes de tocar con ella la superficie de la pieza de trabajo. Levante la herramienta de la superficie de trabajo antes de apagarla.

Sostenga la cepilladora en la posición correcta con una mano sobre la agarradera frontal (J) y la otra mano sobre la agarradera principal (C), como lo muestra la Figura 2. Coloque la zapata frontal (G) sobre la superficie a ser rebajada, cerciorándose de que las hojas de corte no estén tocando la superficie. Empuje hacia abajo con firmeza en el mango delantero de la cepilladora para que la base delantera quede COMPLETAMENTE PLANA sobre la superficie de trabajo. Apriete el interruptor de gatillo y permita que el motor alcance su velocidad total antes de hacer tocar las hojas de la cepilladora contra la superficie de trabajo.

Mueva la herramienta lentamente para trabajar la pieza, manteniendo la presión vertical para mantenerla plana contra la pieza. Tenga especial cuidado de mantener la herramienta plana al inicio y al final de la superficie de trabajo.

**Consejo de cepillado:** Para un aspecto más liso, agregue una pieza de madera de desecho a un extremo de la pieza que cepilla. No detenga la cepilladora hasta que las hojas de corte de la misma hayan pasado la pieza de trabajo y estén sobre el material de desecho.

### Cerco de rebajo (Fig. 5, 6)

**▲ADVERTENCIA :** *Deje que la herramienta alcance su velocidad total antes de tocar con ella la superficie de la pieza de trabajo. Levante la herramienta de la superficie de trabajo antes de apagarla.*

El cerco de rebajo (N) es utilizado para lograr un control optimo de la herramienta sobre piezas de trabajo estrechas, y puede ser instalado en cualquier lado de su cepilladora. La cepilladora hace cortes por rebajo hasta 9 mm (23/64 pulg.).

#### PARA INSTALAR EL CERCO DE REBAJO

- Afloje la perilla de apriete del cerco de rebajo (H).
- Deslice la barra transversal sobre el cerco de rebajo (N) en el orificio (F) sobre el lado de la cepilladora, como lo muestra la Figura 5.
- Fije la anchura del corte ajustando la guía de borde a través de la anchura de la zapata.
- Apriete firmemente la perilla de apriete del cerco de rebajo.

**NOTA:** El cerco de rebajo debería quedar debajo de la cepilladora cuando está instalado correctamente, como se muestra en la Figura 6

#### PARA HACER UN CORTE DE REBAJO

- Gire la perilla de apriete del cerco de rebajo (H) para ajustar la anchura de corte deseada.
- Haga varios cortes hasta llegar a la profundidad deseada.

**NOTA:** Será necesario realizar bastantes cortes en la mayoría de las aplicaciones de rebajado.

### Para cambiar las hojas (Fig. 7, 8)

La cepilladora puede utilizar hojas de acero de alta velocidad y hojas de carburo. Asegúrese de inspeccionar la cepilladora para verificar con cual hoja está equipada.

#### HOJAS DE ACERO DE ALTA VELOCIDAD (FIG. 7)

##### D26676

- Para retirar la hoja de la cepilladora (Fig. 7B)**

- Afloje y retire los tres tornillos de cabeza hexagonal (O) utilizando la llave hexagonal de 9 mm suministrada. Retire la cubierta del tambor (P) del tambor (Q).
- Retire cuidadosamente el conjunto de barra de guía/hoja de acero de alta velocidad (V, U, T).

- Para ajustar la hoja utilizando la placa calibradora (suministrada con herramienta) (Fig. 7C)**

- Coloque el conjunto de barra de guía/hoja de acero de alta velocidad sobre la placa calibradora (R) con el borde cortante de la hoja de acero de alta velocidad a ras contra la pared interior de la placa calibradora (S). El taco de la barra de guía (T) traslapará el extremo de la placa calibradora (R).

- Ajuste los dos tornillos de estrella (U) con la llave incluida.

- Empuje simultáneamente la hoja de acero de alta velocidad (V) y la barra de guía (T) en la pared interior de la placa calibradora (S), cerciorándose de que la hoja quede firmemente sostenida contra la pared interior de la placa calibradora (S), y apriete firmemente los tornillos de estrella (U).

- Para volver a instalar la hoja (Fig. 7A, 7B)**

- Retire cuidadosamente el conjunto de barra de guía/hoja de acero de alta velocidad de la placa calibradora (R) y coloque el taco de la barra de guía (T) en el surco en el tambor (Q).
- Coloque la cubierta del tambor (P) sobre el conjunto de barra de guía/hoja de acero de alta velocidad ajustado y apriete firmemente los tres tornillos hexagonales (O) al tambor.

- Repita el procedimiento para la otra hoja.

**NOTA:** Si su cepilladora no está equipada con hojas de acero de alta velocidad, el soporte de afilado (Y) requerido para afilar hojas de alta velocidad está disponible, con costo adicional, en su centro de servicio autorizado local de DeWALT.

#### HOJAS DE CARBURO REVERSIBLES (FIG. 8)

##### D26677

- Para retirar la hoja de la cepilladora (Fig. 8B)**

- Afloje y retire los tres tornillos de cabeza hexagonal (O) utilizando la llave hexagonal de 9 mm suministrada. Retire la cubierta del tambor (P) del tambor (Q).
- Retire el conjunto de portador de la hoja/barra de guía (T, U, X, W). Retire cuidadosamente la hoja de carburo (W).

- Para ajustar la hoja utilizando la placa calibradora (suministrada con herramienta) (Fig. 8C)**

- Coloque cuidadosamente la hoja de carburo sobre la placa calibradora (R), con el lado de la hoja de carburo que tiene surco mirando hacia arriba. Cualquiera de los bordes de la hoja de carburo reversible al ras contra la pared interior de la placa calibradora (S).

- Coloque el conjunto de portador de la hoja/barra de guía sobre la hoja de tal modo que la nervadura sobre el portador de la hoja (X) se asiente en el surco sobre la hoja de carburo (W). El taco del portador de la hoja (X) traslapará el extremo de la placa calibradora (R).

- Ajuste los dos tornillos de estrella (U) con la llave incluida.

- Empuje simultáneamente el portador de la hoja (X) y la barra de guía (T) en la pared interior de la placa calibradora (S), cerciorándose de que la hoja de carburo (W) quede firmemente sostenida contra la pared interior de la placa calibradora (S), y apriete firmemente los dos tornillos de estrella (U).

- Para volver a instalar la hoja (Fig. 8A, 8B)**

- Retire cuidadosamente el conjunto de barra de guía/hoja de acero de alta velocidad de la placa calibradora (R) y coloque el taco de la barra de guía (T) en el surco en el tambor (Q).

- Coloque la cubierta del tambor (P) sobre el conjunto de portador de la hoja/barra de guía. Atornille ligeramente los tres tornillos hexagonales (O) al tambor (Q), de tal modo que haya una pequeña brecha entre el tambor y el portador de la hoja (X).

- Deslice la hoja de carburo entre el tambor (Q) y el portador de la hoja (X) de tal modo que la nervadura sobre el portador de la hoja se asiente en el surco de la hoja.

- Centre la hoja de carburo (W) debajo del portador de la hoja (X), cerciorándose de que la hoja esté lejos de la carcasa de la herramienta a ambos lados.

- Apriete firmemente los tres tornillos hexagonales (O) al tambor.

- Repita el procedimiento para la otra hoja.

**NOTA:** Si su cepilladora no está equipada con hojas de carburo, el portador de la hoja (X) requerido para hojas de carburo está disponible, con costo adicional, en su centro de servicio autorizado local de DeWALT.

### Cómo afilar las hojas de acero de alta velocidad (Fig. 9)

**NOTA:** Las hojas de carburo no se pueden afilar.

- Sujete las hojas al soporte de afilado (Y). Verifique que ambos bordes de la hoja (V) estén orientados en la misma dirección.
- Ponga los bordes de la hoja de modo que queden planos sobre la piedra de afilar (no se incluye).
- Sujete firmemente el sujetador de afilado y desplácelo hacia atrás y hacia adelante para afilar las hojas (V).

### Soporte (Fig. 10)

Su cepilladora está equipada con un soporte (Z), que desciende automáticamente cuando la herramienta se levanta de la superficie de trabajo, permitiendo que la cepilladora se pueda poner sobre la superficie de trabajo sin que la hoja la toque. Al cepillar, el soporte se levanta a medida que la herramienta es empujada hacia delante a través del material.

**⚠ATENCIÓN:** No bloquee el interruptor tipo gatillo en funcionamiento continuo y engrane el soporte. La vibración del motor en funcionamiento causará que la cepilladora se mueva y posiblemente caiga de la pieza de trabajo.

### Biselado del borde (Fig. 11)

Su cepilladora dispone de un surco de biselado maquinado con precisión (A1) en la zapata frontal, para el cepillado a lo largo de una esquina de la madera. La anchura del surco es de 4,5 a 8 mm. Es una buena idea probar sobre un trozo de madera de desecho antes de hacer el trabajo definitivo.

### Adaptador para polvo (Fig. 1)

Se dispone de un adaptador doble (L) para la cepilladora manual. Para la recolección de polvo el adaptador se puede conectar a conectores de manguera de vacío tanto de 1 pulg. (diámetro interior) como de 35 mm (diámetro externo). Inserte el adaptador (L) en la tolva de descarga de astillas (K) y agregue el conector de manguera de vacío adecuado al adaptador.

Si el adaptador no está incluido con su cepilladora por favor póngase en contacto con su centro de servicio autorizado local de DeWALT para obtener uno con costo adicional.

## MANTENIMIENTO

**⚠ADVERTENCIA:** Para reducir el riesgo de lesiones, apague la unidad y desconéctela de la fuente de alimentación antes de instalar o retirar accesorios, ajustar o cambiar configuraciones o realizar reparaciones. Un arranque accidental podría causar lesiones.

### Limpieza

**⚠ADVERTENCIA:** Limpie con regularidad la tolva de descarga de astillas (K). UTILICE SIEMPRE LENTES DE SEGURIDAD.

**⚠ADVERTENCIA:** Limpie la suciedad y el polvo de las rejillas de ventilación con aire seco al menos una vez por semana. Lleve protección ocular ANSI Z87.1 (CAN/CSA Z94.3) debida y protección respiratoria NIOSH/OSHA/MSHA debida cuando haga esto.

**⚠ADVERTENCIA:** Nunca utilice solventes u otros químicos fuertes cuando limpie las piezas no metálicas de la herramienta. Estos químicos pueden debilitar los materiales de plástico utilizados en estas piezas. Use un paño humedecido con agua y jabón suave. Jamás permita que le entre líquido a la herramienta; nunca sumerja ninguna parte de la herramienta.

### Lubricación

Su herramienta eléctrica no requiere lubricación adicional.

### Accesorios

**⚠ADVERTENCIA:** Como otros accesorios fuera de los ofrecidos por DeWALT, no han sido probados con este producto, el uso de tales accesorios con esta herramienta podría ser peligroso. Para reducir el riesgo de lesiones, sólo se deberían usar los accesorios recomendados por DeWALT con este producto.

Los accesorios recomendados para su herramienta están disponibles con un cargo adicional en su distribuidor local o en el centro de servicio autorizado. Si necesita ayuda para ubicar algún accesorio, por favor póngase en contacto con DeWALT Industrial Tool Co., 701 East Joppa Road, Baltimore, MD 21286, llame al 1-800-4-DeWALT (1-800-433-9258) o visite nuestro sitio web [www.dewalt.com](http://www.dewalt.com).

## Reparaciones

Para garantizar la SEGURIDAD y la CONFIABILIDAD, las reparaciones, el mantenimiento y los ajustes (incluida la inspección y reemplazo de cepillos) deben ser realizados por un centro de mantenimiento de fábrica de DeWALT, un centro de mantenimiento DeWALT autorizado u otro personal de mantenimiento calificado. Utilice siempre piezas de repuesto idénticas.

## Póliza de Garantía

IDENTIFICACIÓN DEL PRODUCTO:

Sello o firma del Distribuidor.

Nombre del producto: \_\_\_\_\_ Mod./Cat.: \_\_\_\_\_

Marca: \_\_\_\_\_ Núm. de serie: \_\_\_\_\_

(Datos para ser llenados por el distribuidor)

Fecha de compra y/o entrega del producto: \_\_\_\_\_

Nombre y domicilio del distribuidor donde se adquirió el producto: \_\_\_\_\_

Este producto está garantizado por un año a partir de la fecha de entrega, contra cualquier defecto en su funcionamiento, así como en materiales y mano de obra empleados para su fabricación. Nuestra garantía incluye la reparación o reposición del producto y/o componentes sin cargo alguno para el cliente, incluyendo mano de obra, así como los gastos de transportación razonablemente erogados derivados del cumplimiento de este certificado.

Para hacer efectiva esta garantía deberá presentar su herramienta y esta póliza sellada por el establecimiento comercial donde se adquirió el producto, de no contar con ésta, bastará la factura de compra.

### EXCEPCIONES.

Esta garantía no será válida en los siguientes casos:

- Cuando el producto se hubiese utilizado en condiciones distintas a las normales;
- Cuando el producto no hubiese sido operado de acuerdo con el instructivo de uso que se acompaña;
- Cuando el producto hubiese sido alterado o reparado por personas distintas a las enlistadas al final de este certificado.

Anexo encontrará una relación de sucursales de servicio de fábrica, centros de servicio autorizados y franquiciados en la República Mexicana, donde podrá hacer efectiva su garantía y adquirir partes, refacciones y accesorios originales.

## Garantía limitada por tres años

DeWALT reparará, sin cargo, cualquier falla que surja de defectos en el material o la fabricación del producto, por hasta tres años a contar de la fecha de compra. Esta garantía no cubre fallas de las piezas causadas por su desgaste normal o abuso a la herramienta. Para mayores detalles sobre la cobertura de la garantía e información acerca de reparaciones realizadas bajo garantía, visítenos en [www.dewalt.com](http://www.dewalt.com) o dirígase al centro de servicio más cercano al 1-800-4-DeWALT (1-800-433-9258). Esta garantía no aplica a accesorios o a daños causados por reparaciones realizadas o intentadas por terceros. Esta garantía le otorga derechos legales específicos, además de los cuales puede tener otros dependiendo del estado o la provincia en que se encuentre.

Además de la garantía, las herramientas DeWALT están cubiertas por:

### 1 AÑO DE SERVICIO GRATUITO

DeWALT mantendrá la herramienta y reemplazará las piezas gastadas por su uso normal, sin cobro, en cualquier momento durante un año a contar de la fecha de compra. Los artículos gastados por la clavadora, tales como la unidad de hoja y retorno del impulsador, no están cubiertas.

### GARANTÍA DE REEMBOLSO DE SU DINERO POR 90 DÍAS

Si no está completamente satisfecho con el desempeño de su máquina herramienta, láser o clavadora DeWALT, cualquiera sea el motivo, podrá devolverlo hasta 90 días de la fecha de compra con su recibo y obtener el reembolso completo de su dinero – sin necesidad de responder a ninguna pregunta.

**AMÉRICA LATINA:** Esta garantía no se aplica a los productos que se venden en América Latina. Para los productos que se venden en América Latina, debe consultar la información de la garantía específica del país que viene en el empaque, llamar a la compañía local o visitar el sitio Web a fin de obtener esa información.

**REEMPLAZO GRATUITO DE LAS ETIQUETAS DE ADVERTENCIAS:** Si sus etiquetas de advertencia se vuelven ilegibles o faltan, llame al 1 (800) 4-DeWALT (1-800-433-9258) para que se le reemplacen gratuitamente.

## PARA REPARACIÓN Y SERVICIO DE SUS HERRAMIENTAS ELÉCTRICAS, FAVOR DE DIRIGIRSE AL CENTRO DE SERVICIO MÁS CERCANO

### CULIACAN, SIN

Blvd.Emiliano Zapata 5400-1 Poniente

Col. San Rafael

(667) 717 89 99

### GUADALAJARA, JAL

Av. La Paz #1779 - Col. Americana Sector Juárez

(33) 3825 6978

### MEXICO, D.F.

Eje Central Lázaro Cárdenas No. 18

Local D, Col. Obrera

(55) 5588 9377

### MERIDA, YUC

Calle 63 #459-A - Col. Centro

(999) 928 5038

### MONTERREY, N.L.

Av. Francisco I. Madero 831 Poniente - Col. Centro

(818) 375 23 13

### PUEBLA, PUE

17 Norte #205 - Col. Centro

(222) 246 3714

### QUERETARO, QRO

Av. San Roque 274 - Col. San Gregorio

(442) 2 17 63 14

### SAN LUIS POTOSI, SLP

Av. Universidad 1525 - Col. San Luis

(444) 814 2383

### TORREON, COAH

Blvd. Independencia, 96 Pte. - Col. Centro

(871) 716 5265

### VERACRUZ, VER

Prolongación Díaz Mirón #4280 - Col. Remes

(229) 921 7016

### VILLAHERMOSA, TAB

Constitución 516-A - Col. Centro

(993) 312 5111

### PARA OTRAS LOCALIDADES:

Si se encuentra en México, por favor llame al (55) 5326 7100

Si se encuentra en U.S., por favor llame al

1-800-433-9258 (1-800 4-DeWALT)

### ESPECIFICACIONES

	D26676	D26677
Tensión de alimentación	120 V AC ~	120 V AC ~
Consumo de corriente:	5,5 A	5,5 A
Frecuencia de operación:	50/60 Hz	50/60 Hz
Potencia nominal:	550 W	550 W
Rotación sin carga:	17 000/min	17 000/min

SOLAMENTE PARA PROPÓSITO DE MÉXICO:  
IMPORTADO POR: DeWALT S.A. DE C.V.  
BOSQUES DE CIDROS, ACCESO RADIATAS NO.42  
3A. SECCIÓN DE BOSQUES DE LAS LOMAS  
DELEGACIÓN CUAJIMALPA,  
05120, MÉXICO, D.F.  
TEL. (52) 555-326-7100  
R.F.C.: BDE810626-1W7

Para servicio y ventas consulte  
"HERRAMIENTAS ELÉCTRICAS"  
en la sección amarilla.

