

# DEWALT®



**Instruction Manual  
Guide D'utilisation  
Manual de instrucciones**

**DCD1623**

**2" Cordless Magnetic Drill Press**

**Perceuse à colonne magnétique sans fil de 2 po**

**Prensa de Taladro Magnético Inalámbrico de 2"**

**[www.DEWALT.com](http://www.DEWALT.com)**

**If you have questions or comments, contact us.  
Pour toute question ou tout commentaire, nous contacter.  
Si tiene dudas o comentarios, contáctenos.**

**1-800-4-DEWALT**

**Components**

- 1 ON/OFF switch
- 2 Magnet engagement lever
- 3 Forward/reverse switch
- 4 Speed selector
- 5 Gear selector
- 6 Feed handle
- 7 Feed handle hub
- 8 Feed handle release button
- 9 LED button
- 10 3/4" Weldon quick-change chuck
- 11 5/8" Keyed chuck
- 12 Motor height adjustment lever
- 13 Magnetic coolant bottle bracket
- 14 Coolant bottle
- 15 Coolant tube
- 16 Coolant coupling connector
- 17 Coolant flow regulator
- 18 Coolant bottle cap
- 19 Connector nut
- 20 Magnetic base
- 21 Magnetic coolant bottle attachment point
- 22 Carry handle
- 23 Carry handle release button
- 24 Magnet engagement and E-Clutch® indicator
- 25 Chip guard
- 26 Safety chain

**Composants**

- 1 Boutons MARCHE/ARRÊT
- 2 Levier d'engagement de l'aimant
- 3 Bouton Avancer/Reculer
- 4 Sélecteur de vitesses
- 5 Sélecteur d'engrenages
- 6 Poignée d'alimentation
- 7 Moyeu de la poignée d'alimentation
- 8 Bouton de libération de la poignée d'alimentation
- 9 Bouton à DEL
- 10 Mandrin à changement rapide Weldon de 3/4 po
- 11 Mandrin à clé de 5/8 po
- 12 Levier de réglage de la hauteur du moteur
- 13 Support magnétique pour bouteille de liquide de refroidissement
- 14 Bouteille de liquide de refroidissement
- 15 Tube d'arrosage
- 16 Connecteur de couplage du liquide de refroidissement
- 17 Régulateur de débit de liquide de refroidissement
- 18 Bouchon de bouteille de liquide de refroidissement
- 19 Écrou de bouteille de liquide de refroidissement
- 20 Base magnétique
- 21 Point de fixation magnétique de la bouteille de réfrigérant
- 22 Poignée de transport
- 23 Bouton de libération de la poignée d'alimentation
- 24 Engagement magnétique et indicateur E-Clutch<sup>®</sup>
- 25 Pare-copeaux
- 26 Chaîne de sécurité

**Componentes**

- 1 Interruptor ON/OFF (encendido/apagado)
- 2 Palanca de conexión de imán
- 3 Interruptor de avance/reversa
- 4 Selector de velocidad
- 5 Selector de velocidad
- 6 Manija de alimentación
- 7 Cubo de liberación de alimentación
- 8 Botón de liberación de manija de alimentación
- 9 Botón LED
- 10 Mandril de cambio rápido Weldon de 3/4"
- 11 Mandril con llave de 5/8"
- 12 Palanca de ajuste de altura del motor
- 13 Soporte de botella de refrigerante magnética
- 14 Botella de refrigerante
- 15 Tubo de refrigerante
- 16 Conector de acoplamiento de refrigerante
- 17 Regulador de flujo de refrigerante
- 18 Tapa de botella de refrigerante
- 19 Tuerca de botella de refrigerante
- 20 Base magnética
- 21 Punto de fijación magnético de la botella de refrigerante
- 22 Manija de transporte
- 23 Botón de liberación de manija de transporte
- 24 Indicador de conexión de imán y E-Clutch<sup>®</sup>
- 25 Protección contra virutas
- 26 Cadena de seguridad

Fig. A

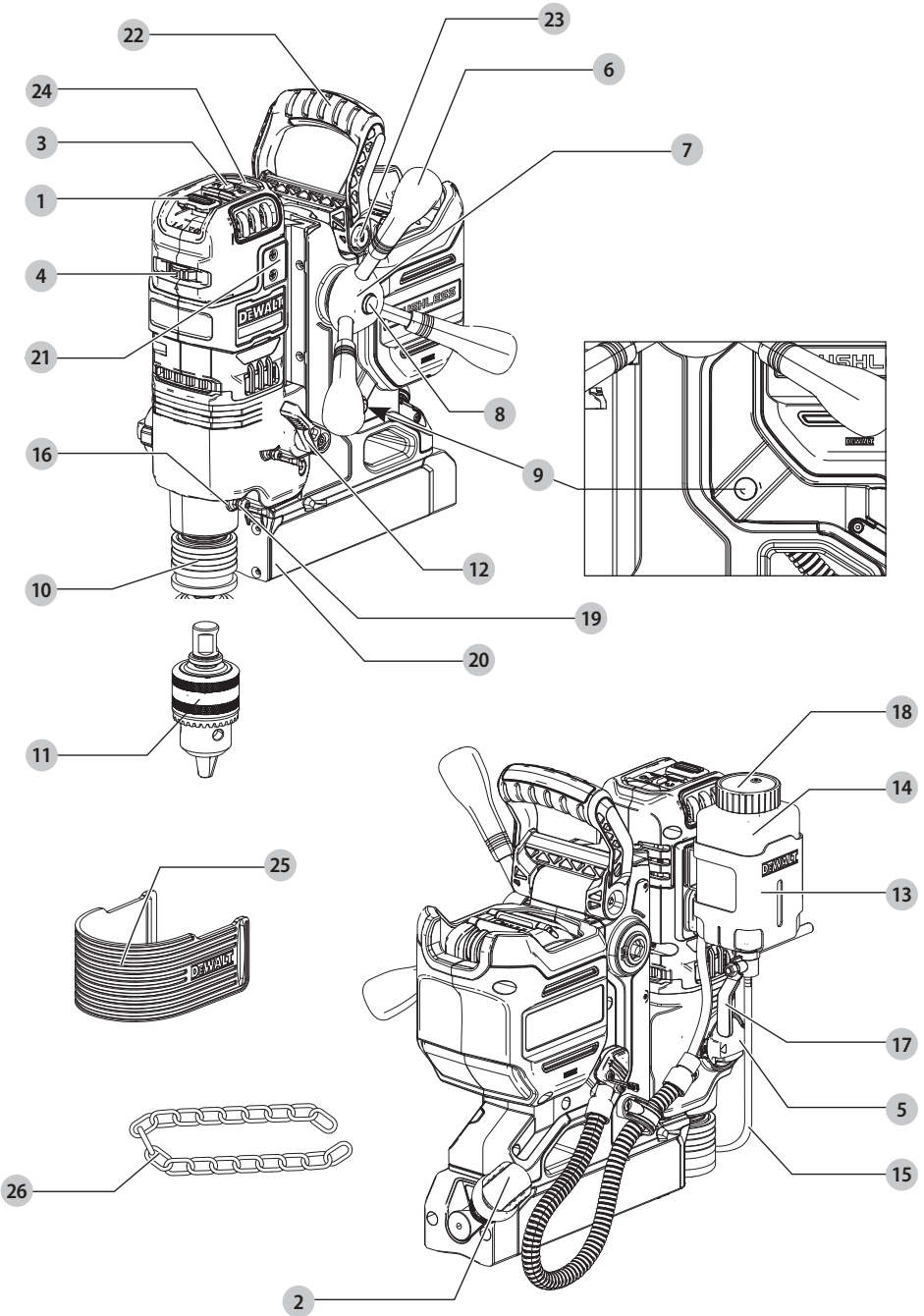


Fig. B

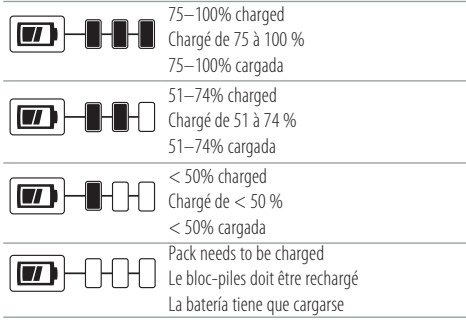


Fig. C

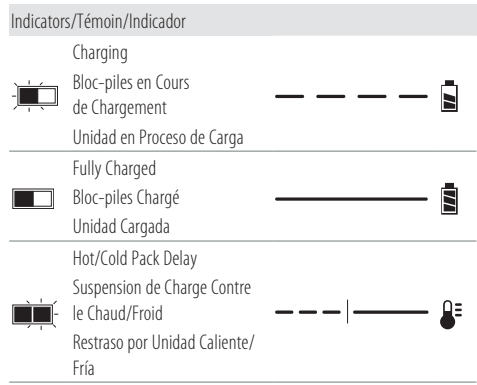


Fig. D

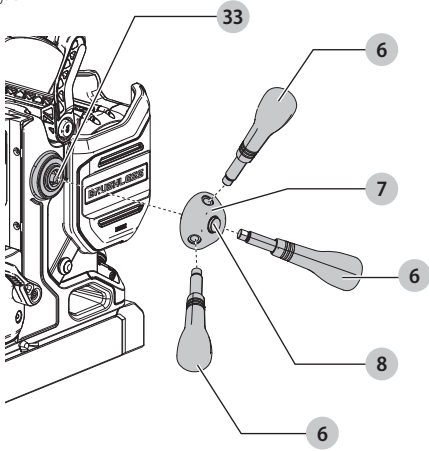


Fig. E

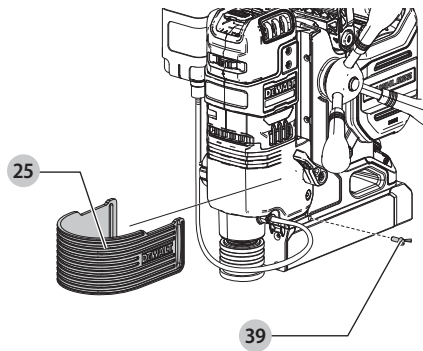


Fig. F

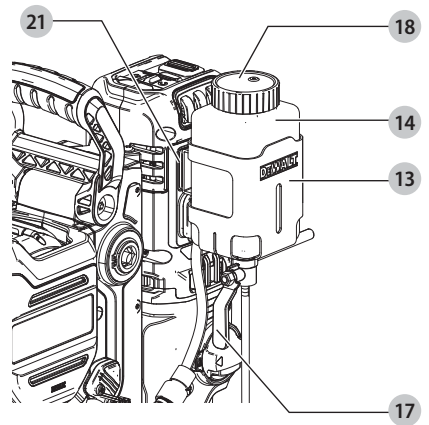
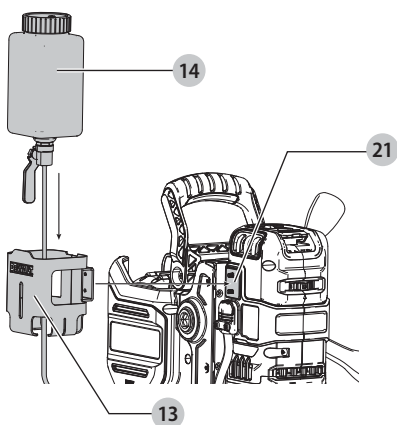


Fig. G

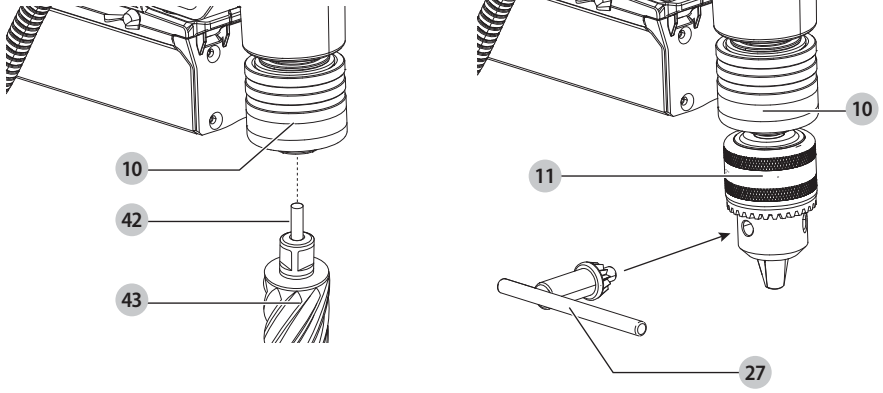


Fig. H

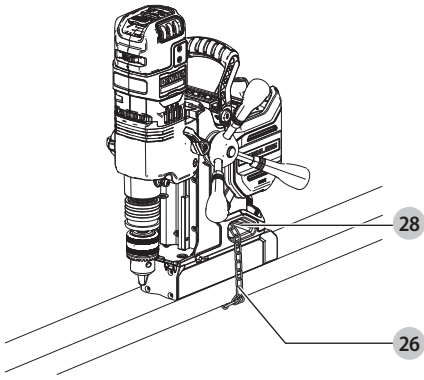


Fig. I

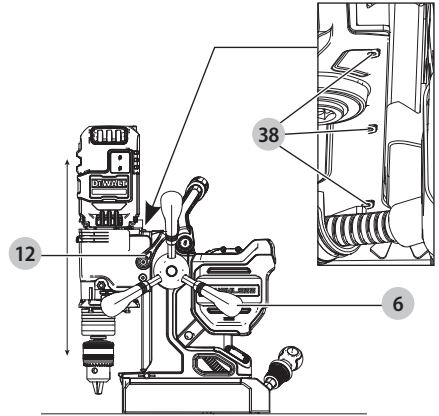


Fig. J

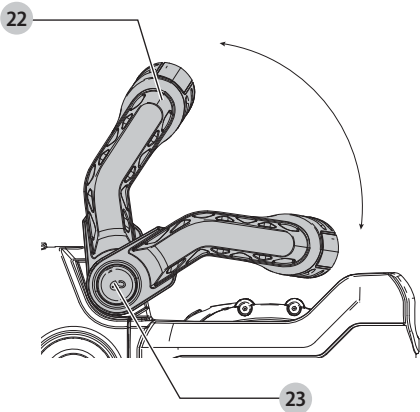


Fig. K

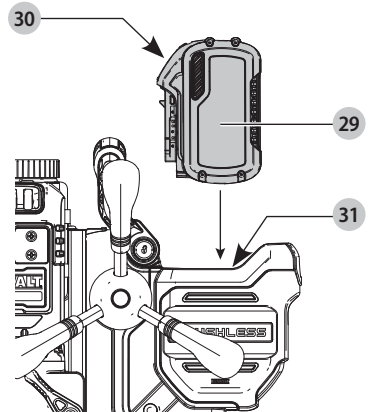


Fig. L

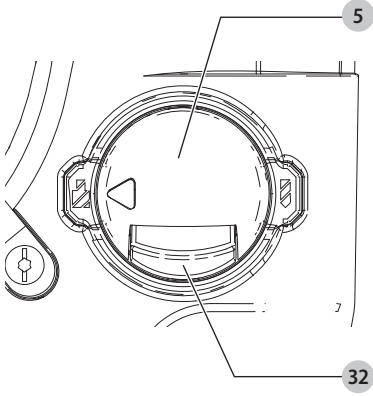


Fig. M

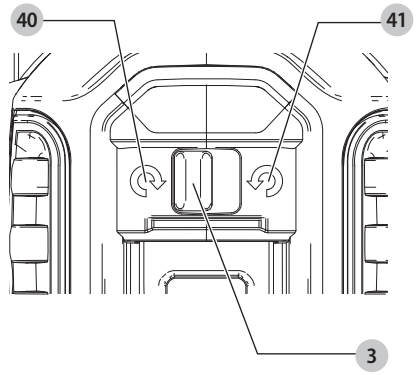


Fig. N

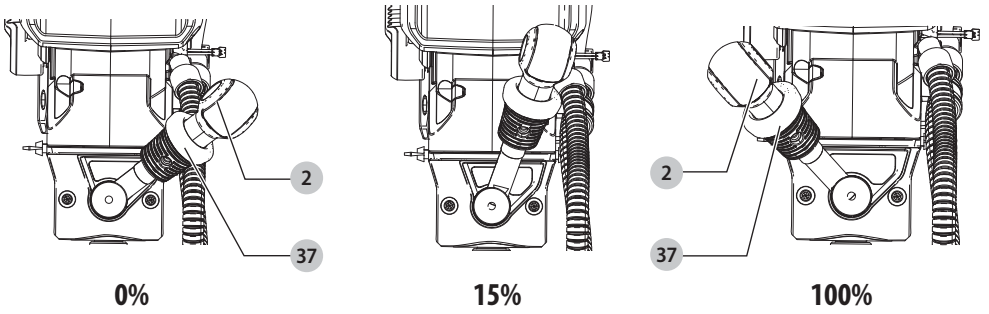
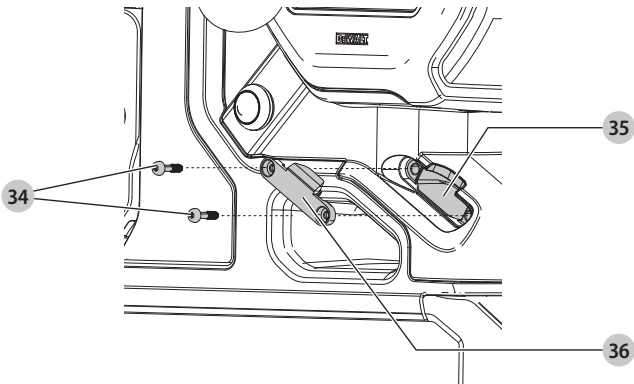




Fig. O



 **WARNING: Read all safety warnings and all instructions.** Failure to follow the warnings and instructions may result in electric shock, fire and/or serious injury.

 **WARNING:** To reduce the risk of injury, read the instruction manual.

## Intended Use


This heavy-duty drill press is designed for professional drilling applications.


**DO NOT** use under wet conditions or in presence of flammable liquids or gases.


This drill press is a professional power tool. **DO NOT** let children come into contact with the tool. Supervision is required when inexperienced operators use this tool.


## Definitions: Safety Alert Symbols and Words

This instruction manual uses the following safety alert symbols and words to alert you to hazardous situations and your risk of personal injury or property damage.

 **DANGER:** Indicates an imminently hazardous situation which, if not avoided, **will** result in **death or serious injury**.


 **WARNING:** Indicates a potentially hazardous situation which, if not avoided, **could** result in **death or serious injury**.

 **CAUTION:** Indicates a potentially hazardous situation which, if not avoided, **may** result in **minor or moderate injury**.

 (Used without word) Indicates a safety related message.

**NOTICE:** Indicates a practice **not** related to **personal injury** which, if not avoided, **may** result in **property damage**.

## GENERAL POWER TOOL SAFETY WARNINGS

 **WARNING: Read all safety warnings, instructions, illustrations and specifications provided with this power tool.** Failure to follow all instructions listed below may result in electric shock, fire and/or serious injury.

### SAVE ALL WARNINGS AND INSTRUCTIONS FOR FUTURE REFERENCE.

The term "power tool" in the warnings refers to your mains-operated (corded) power tool or battery-operated (cordless) power tool.

## 1) Work Area Safety

- Keep work area clean and well lit.** Cluttered or dark areas invite accidents.
- Do not operate power tools in explosive atmospheres, such as in the presence of flammable liquids, gases or dust.** Power tools create sparks which may ignite the dust or fumes.
- Keep children and bystanders away while operating a power tool.** Distractions can cause you to lose control.

## 2) Electrical Safety

- Power tool plugs must match the outlet. Never modify the plug in any way. Do not use any adapter plugs with earthed (grounded) power tools.** Unmodified plugs and matching outlets will reduce risk of electric shock.
- Avoid body contact with earthed or grounded surfaces, such as pipes, radiators, ranges and refrigerators.** There is an increased risk of electric shock if your body is earthed or grounded.
- Do not expose power tools to rain or wet conditions.** Water entering a power tool will increase the risk of electric shock.
- Do not abuse the cord. Never use the cord for carrying, pulling or unplugging the power tool. Keep cord away from heat, oil, sharp edges or moving parts.** Damaged or entangled cords increase the risk of electric shock.
- When operating a power tool outdoors, use an extension cord suitable for outdoor use.** Use of a cord suitable for outdoor use reduces the risk of electric shock.
- If operating a power tool in a damp location is unavoidable, use a ground fault circuit interrupter (GFCI) protected supply.** Use of a GFCI reduces the risk of electric shock.

## 3) Personal Safety

- Stay alert, watch what you are doing and use common sense when operating a power tool. Do not use a power tool while you are tired or under the influence of drugs, alcohol or medication.** A moment of inattention while operating power tools may result in serious personal injury.
- Use personal protective equipment. Always wear eye protection.** Protective equipment such as a dust mask, non-skid safety shoes, hard hat, or hearing protection used for appropriate conditions will reduce personal injuries.
- Prevent unintentional starting. Ensure the switch is in the off-position before connecting to power source and/or battery pack, picking up or carrying the tool.** Carrying power tools with your finger on the switch or energizing power tools that have the switch on invites accidents.
- Remove any adjusting key or wrench before turning the power tool on.** A wrench or a key left attached to a rotating part of the power tool may result in personal injury.
- Do not overreach. Keep proper footing and balance at all times.** This enables better control of the power tool in unexpected situations.
- Dress properly. Do not wear loose clothing or jewelry. Keep your hair, clothing and gloves away from moving parts.** Loose clothes, jewelry or long hair can be caught in moving parts.
- If devices are provided for the connection of dust extraction and collection facilities, ensure these are connected and properly used.** Use of dust collection can reduce dust-related hazards.

- h) **Do not let familiarity gained from frequent use of tools allow you to become complacent and ignore tool safety principles.** A careless action can cause severe injury within a fraction of a second.

#### 4) Power Tool Use and Care

- a) **Do not force the power tool. Use the correct power tool for your application.** The correct power tool will do the job better and safer at the rate for which it was designed.
- b) **Do not use the power tool if the switch does not turn it on and off.** Any power tool that cannot be controlled with the switch is dangerous and must be repaired.
- c) **Disconnect the plug from the power source and/or remove the battery pack, if detachable, from the power tool before making any adjustments, changing accessories, or storing power tools.** Such preventive safety measures reduce the risk of starting the power tool accidentally.
- d) **Store idle power tools out of the reach of children and do not allow persons unfamiliar with the power tool or these instructions to operate the power tool.** Power tools are dangerous in the hands of untrained users.
- e) **Maintain power tools and accessories. Check for misalignment or binding of moving parts, breakage of parts and any other condition that may affect the power tool's operation. If damaged, have the power tool repaired before use.** Many accidents are caused by poorly maintained power tools.
- f) **Keep cutting tools sharp and clean.** Properly maintained cutting tools with sharp cutting edges are less likely to bind and are easier to control.
- g) **Use the power tool, accessories and tool bits etc. in accordance with these instructions, taking into account the working conditions and the work to be performed.** Use of the power tool for operations different from those intended could result in a hazardous situation.
- h) **Keep handles and grasping surfaces dry, clean and free from oil and grease.** Slippery handles and grasping surfaces do not allow for safe handling and control of the tool in unexpected situations.

#### 5) Battery Tool Use and Care

- a) **Recharge only with the charger specified by the manufacturer.** A charger that is suitable for one type of battery pack may create a risk of fire when used with another battery pack.
- b) **Use power tools only with specifically designated battery packs.** Use of any other battery packs may create a risk of injury and fire.
- c) **When battery pack is not in use, keep it away from other metal objects, like paper clips, coins, keys, nails, screws or other small metal objects, that can make a connection from one terminal to another.** Shorting the battery terminals together may cause burns or a fire.

- d) **Under abusive conditions, liquid may be ejected from the battery; avoid contact. If contact accidentally occurs, flush with water. If liquid contacts eyes, additionally seek medical help.** Liquid ejected from the battery may cause irritation or burns.
- e) **Do not use a battery pack or tool that is damaged or modified.** Damaged or modified batteries may exhibit unpredictable behavior resulting in fire, explosion or risk of injury.
- f) **Do not expose a battery pack or tool to fire or excessive temperature.** Exposure to fire or temperature above 265 °F (130 °C) may cause explosion.
- g) **Follow all charging instructions and do not charge the battery pack or tool outside the temperature range specified in the instructions.** Charging improperly or at temperatures outside the specified range may damage the battery and increase the risk of fire.

#### 6) Service


- a) **Have your power tool serviced by a qualified repair person using only identical replacement parts.** This will ensure that the safety of the power tool is maintained.
- b) **Never service damaged battery packs.** Service of battery packs should only be performed by the manufacturer or authorized service providers.


#### Additional Safety Rules for a Drill Presses


- Always use the safety chain. Mounting can release. If mounting surface does not allow the use of the chain, then secure the unit by another means such as a clamp. Electrical power may fail or unit may accidentally disconnect.
- **Use clamps or other practical way to secure and support the workpiece to a stable platform.** Holding the work by hand or against your body is unstable and may lead to loss of control.
- Keep your fingers well out of the drill area.
- The magnetic base is suitable for use on steel with a thickness of at least 3/8" (10 mm), with no visible air gap between the magnet bottom surface and the mounting surface. Coats of paint and surface irregularities will create an air gap. Keep the air gap to a minimum. Air gaps between the magnet and working surface weakens the magnetic holding strength.
- Always place the magnet base on a flat surface or straight pipe. Do not clamp the base on small or irregularly shaped objects.
- Always place the magnet base on a surface that is clear of shavings, chips, swarf and surface dirt.
- Keep the magnet clean and free of debris and swarf.
- Do not switch on the motor until the drill has been mounted and installed according to the instructions.
- Do not switch on the motor before having checked that the magnetic base has been tightened firmly to the mounting surface.




- Before switching on the motor, make sure the accessory has been mounted correctly.
- Always use the recommended speed for the accessories and the material.
- Do not use the machine on the same workpiece on which electric welders are being used.
- Use only an appropriate cutting fluid.
- Do not use liquid cutting fluids while drilling vertical surfaces or overhead. Dip the cutter in cutting paste or apply an appropriate spray for these applications.
- Do not pour cutting fluid into the reservoir while it is mounted on the drill. Do not allow cutting fluid to enter the drill motor.
- If battery comes in contact with cutting fluid wipe it off immediately. The cutting fluid used with this drill may compromise certain battery pack housings. It is highly recommended that battery packs with oil resistant housings (glass filled nylon, designated by a G suffix in the model number) be used.
- Always use the chip guard while drilling.

 **CAUTION: Extremely powerful magnet.** Keep away from pacemakers, defibrillators, medical equipment, computers, computer disks, cassette tapes, engine control modules, etc.

 **CAUTION: Do not use the magnet engagement lever or the feed handle to lift unit.**


 **CAUTION:** After switching power to the magnet off, the magnetic base will continue to adhere to the surface for a moment before releasing. A light blow with the hand will release the base.

## Additional Safety Information

 **WARNING:** Never modify the power tool or any part of it. Damage or personal injury could result.

 **WARNING: ALWAYS** use safety glasses. Everyday eyeglasses are NOT safety glasses. Also use face or dust mask if cutting operation is dusty. ALWAYS WEAR CERTIFIED SAFETY EQUIPMENT:


- ANSI Z87.1 eye protection (CAN/CSA Z94.3),
- ANSI S12.6 (S3.19) hearing protection,
- NIOSH/OSHA/MSHA respiratory protection.

 **WARNING:** Some dust created by power sanding, sawing, grinding, drilling, and other construction activities contains chemicals known to the State of California to cause cancer, birth defects or other reproductive harm. Some examples of these chemicals are:


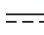











- lead from lead-based paints,
- crystalline silica from bricks and cement and other masonry products, and
- arsenic and chromium from chemically-treated lumber.

Your risk from these exposures varies, depending on how often you do this type of work. To reduce your exposure to these chemicals: work in a well ventilated area, and work with approved safety equipment, such as those dust masks that are specially designed to filter out microscopic particles.

- **Wear protective clothing and wash exposed areas with soap and water.** Allowing dust to get into your mouth, eyes, or lay on the skin may promote absorption of harmful chemicals. Direct particles away from face and body.
- **Use the appropriate dust extractor vacuum to remove the vast majority of static and airborne dust.** Failure to remove static and airborne dust could contaminate the working environment or pose an increased health risk to the operator and those in close proximity.
- **Use clamps or other practical ways to secure and support the workpiece to a stable platform.** Holding the work by hand or against your body is unstable and may lead to loss of control and injury.
- **Air vents often cover moving parts and should be avoided.** Loose clothes, jewelry or long hair can be caught in moving parts.

 **CAUTION: When not in use, place tool where it will not cause a tripping or falling hazard.**

The label on your tool may include the following symbols. The symbols and their definitions are as follows:

V.....volts		Class II Construction (double insulated)
Hz.....hertz	$n_0$ .....	no load speed
min.....minutes	n.....	rated speed
 or DC.....	PSI.....	pounds per square inch
 .....		earthing terminal
.../min.....		safety alert symbol
BPM.....		visible radiation do not stare into the light
IPM.....		wear respiratory protection
OPM.....		wear eye protection
RPM.....		wear hearing protection
sfpm.....		read all documentation
SPM.....		do not expose to rain
A.....		Strong magnet. People with cardiac pacemakers or other medical implant must stay clear of this drill.
W.....		
Wh.....		
Ah.....		
~ or AC.....		
 or AC/DC.....		

## BATTERIES AND CHARGERS

The battery pack is not fully charged out of the carton. Before using the battery pack and charger, read the safety instructions below and then follow charging procedures outlined. When ordering replacement battery packs, be sure to include the catalog number and voltage.

## READ ALL INSTRUCTIONS

### Important Safety Instructions for All Battery Packs



**WARNING:** Read all safety warnings, instructions, and cautionary markings for the battery pack, charger and product. Failure to follow the warnings and instructions may result in electric shock, fire and/or serious injury.

- **Do not charge or use the battery pack in explosive atmospheres, such as in the presence of flammable liquids, gases or dust.** Inserting or removing the battery pack from the charger may ignite the dust or fumes.
- **NEVER force the battery pack into the charger. DO NOT modify the battery pack in any way to fit into a non-compatible charger as battery pack may rupture causing serious personal injury.** Consult the chart at the end of this manual for compatibility of batteries and chargers.
- **Charge the battery packs only in DeWALT chargers.**
- **DO NOT splash or immerse in water or other liquids.**
- **DO NOT allow water or any liquid to enter battery pack.**
- **Do not store or use the tool and battery pack in locations where the temperature may reach or exceed 104 °F (40 °C) (such as outside sheds or metal buildings in summer).** For best life store battery packs in a cool, dry location.  
**NOTE:** Do not store the battery packs in a tool with the trigger switch locked on. Never tape the trigger switch in the ON position.
- **Do not incinerate the battery pack even if it is severely damaged or is completely worn out.** The battery pack can explode in a fire. Toxic fumes and materials are created when lithium-ion battery packs are burned.
- **Do not expose a battery pack or appliance to fire or excessive temperature.** Exposure to fire or temperature above 265 °F (130 °C) may cause explosion.
- **Follow all charging instructions and do not charge the battery pack or appliance outside of the temperature range specified in the instructions.** Charging improperly or at temperatures outside of the specified range may damage the battery and increase the risk of fire.
- **If battery contents come into contact with the skin, immediately wash area with mild soap and water.** If battery liquid gets into the eye, rinse water over the open eye for 15 minutes or until irritation ceases. If medical attention is needed, the battery electrolyte is composed of a mixture of liquid organic carbonates and lithium salts.
- **Contents of opened battery cells may cause respiratory irritation.** Provide fresh air. If symptoms persist, seek medical attention.
- **Battery liquid may be flammable if exposed to spark or flame.**
- **Never attempt to open the battery pack for any reason. If the battery pack case is cracked or damaged, do not insert into the charger.** Do not crush, drop or damage the battery pack. Do not use a battery pack

or charger that has received a sharp blow, been dropped, run over or damaged in any way (e.g., pierced with a nail, hit with a hammer, stepped on). Damaged battery packs should be returned to the service center for recycling.

### Storage Recommendations

The best storage place is one that is cool and dry, away from direct sunlight and excess heat or cold. Store the fully charged battery pack out of the charger.

### Battery Pack Cleaning Instructions

Dirt and grease may be removed from the exterior of the battery pack using a cloth or soft non-metallic brush. Do not use water or any cleaning solutions.

### Fuel Gauge Battery Packs (Fig. B)

Some battery packs include a fuel gauge. When the fuel gauge button is pressed and held, the LED lights will indicate the approximate level of charge remaining. This does not indicate tool functionality and is subject to variation based on product components, temperature, and end-user application.

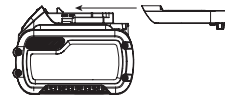
### Transportation



**WARNING:** Fire hazard. Do not store, carry, or transport the battery pack so that metal objects can contact exposed battery terminals. For example, do not place the battery pack in aprons, pockets, tool boxes, product kit boxes, drawers, etc., with loose nails, screws, keys, coins, hand tools, etc. When transporting individual battery packs, make sure that the battery terminals are protected and well insulated from materials that could contact them and cause a short circuit. **NOTE:** Li-ion battery packs should not be put in checked baggage on airplanes and must be properly protected from short circuits if they are in carry-on baggage.

### Shipping the DeWALT FLEXVOLT® Battery Pack

The DeWALT FLEXVOLT® battery pack has a battery cap that should be used when shipping the battery pack.



Attach the cap to the battery pack to ready it for shipping. This converts the battery pack to three separate 20V batteries. The three batteries have the Watt hour rating labeled "Shipping" on the battery pack. If shipping without the cap or in a tool, the pack is one battery at the Watt hour rating labeled "Use".

Example battery pack label:

**USE: 120 Wh SHIPING: 3 x 40 Wh**

In this example, the battery pack is three batteries with 40 Watt hours each when using the cap. Otherwise, the battery pack is one battery with 120 Watt hours.

## The RBRC® Seal

Please take your spent battery packs to an authorized DeWALT service center or to your local retailer for recycling. In some areas, it is illegal to place spent battery packs in the trash. You may also contact your local recycling center for information on where to drop off the spent battery pack. Do not place in curbside recycling. For more information visit [www.call2recycle.org](http://www.call2recycle.org), or call the toll free number in the RBRC® Seal.

RBRC® is a registered trademark of Call 2 Recycle, Inc.



## Important Safety Instructions for All Battery Chargers



**WARNING: Read all safety warnings, instructions, and cautionary markings for the battery pack, charger and product. Failure to follow the warnings and instructions may result in electric shock, fire and/or serious injury.**

- **DO NOT attempt to charge the battery pack with any chargers other than a DeWALT charger.** DeWALT chargers and battery packs are specifically designed to work together.
- **These chargers are not intended for any uses other than charging DeWALT rechargeable battery packs.** Charging other types of battery packs may cause them to overheat and burst, resulting in personal injury, property damage, fire, electric shock or electrocution.
- **Do not expose the charger to rain or snow.**
- **Do not allow water or any liquid to enter charger.**
- **Pull by the plug rather than the cord when disconnecting the charger.** This will reduce the risk of damage to the electric plug and cord.
- **Make sure that the cord is located so that it will not be stepped on, tripped over or otherwise subjected to damage or stress.**
- **Do not use an extension cord unless it is absolutely necessary.** Use of improper extension cord could result in risk of fire, electric shock or electrocution.
- **When operating a charger outdoors, always provide a dry location and use an extension cord suitable for outdoor use.** Use of a cord suitable for outdoor use reduces the risk of electric shock.
- **An extension cord must have adequate wire size (AWG or American Wire Gauge) for safety.** The smaller the gauge number of the wire, the heavier the cord and thus the greater its capacity. An undersized cord will cause a drop in line voltage resulting in loss of power and overheating. The following table shows the correct size to use depending on total length of all extension cords plugged together, and nameplate ampere rating. If in doubt, use the next heavier gauge.

Minimum Gauge for Cord Sets

Volts	Total Length of Cord in Feet (meters)				
	120V	25 (7.6)	50 (15.2)	100 (30.5)	150 (45.7)
Ampere Rating		American Wire Gauge			
More Than	Not More Than				
0	6	18	16	16	14
6	10	18	16	14	12
10	12	16	16	14	12
12	16	14	12	Not Recommended	

- **Do not place any object on top of the charger or place the charger on a soft surface that might block the ventilation slots and result in excessive internal heat.** Place the charger in a position away from any heat source. The charger is ventilated through slots in the top and the bottom of the housing.
- **Do not operate the charger with a damaged cord or plug.** Have them replaced immediately.
- **Do not operate the charger if it has received a sharp blow, been dropped or otherwise damaged in any way.** Take it to an authorized service center.
- **Do not disassemble the charger; take it to an authorized service center when service or repair is required.** Incorrect reassembly may result in a risk of electric shock, electrocution or fire.
- **The charger is designed to operate on standard 120V household electrical power. Do not attempt to use it on any other voltage.** This does not apply to the vehicular charger.
- **Foreign materials of a conductive nature, such as, but not limited to, grinding dust, metal chips, steel wool, aluminum foil or any buildup of metallic particles should be kept away from the charger cavities and ventilation slots.**
- **Always unplug the charger from the power supply when there is no battery pack in the cavity.**

## Charging a Battery (Fig. B, C)

1. Plug the charger into an appropriate outlet.
2. Insert and fully seat battery pack **29**. The red charging light(s) will continuously blink while charging.
3. Charging is complete when the red charging light(s) remain(s) continuously ON. Battery pack can be left in charger or removed. Some chargers require the battery pack release button to be pressed for removal.



**WARNING:** Only charge batteries in air temperature over 40 °F (4.5 °C) and below 104 °F (+40 °C).

4. Charger will not charge a faulty battery pack, which may be indicated by the charging light(s) staying OFF. Take charger and battery pack to an authorized service center if light(s) stay(s) OFF.

**NOTE:** Refer to label near charging light(s) on charger for blink patterns. Older chargers may have additional information and/or may not have a yellow indicator light.  
**NOTE:** To remove the battery pack, some chargers require the battery pack release button to be pressed.

## Hot/Cold Pack Delay

When the charger detects a battery pack that is too hot or too cold, it automatically starts a Hot/Cold Pack Delay, suspending charging until the battery pack has reached an appropriate temperature. The charger then automatically switches to the pack charging mode. This feature ensures maximum battery pack life.

A cold battery pack may charge at a slower rate than a warm battery pack.

The hot/cold pack delay will be indicated by the red light(s) continuing to blink but with the yellow light continuously ON. Once the battery pack has reached an appropriate temperature, the yellow light will turn OFF and the charger will resume the charging procedure.

## DCB118 and DCB112 Chargers

The DCB118 and DCB112 chargers are equipped with an internal fan designed to cool the battery pack. The fan will turn on automatically when the battery pack needs to be cooled.

Never operate the charger if the fan does not operate properly or if ventilation slots are blocked. Do not permit foreign objects to enter the interior of the charger.

## Electronic Protection System

Li-Ion tools are designed with an Electronic Protection System that will protect the battery pack against overloading, overheating or deep discharge. The tool will automatically turn off and the battery pack will need to be recharged.

## Important Charging Notes

1. Longest life and best performance can be obtained if the battery pack is charged when the air temperature is between 65 °F – 75 °F (18 °C – 24 °C). DO NOT charge when the battery pack is below +40 °F (+4.5 °C), or above +104 °F (+40 °C). This is important and will prevent serious damage to the battery pack.
2. The charger and battery pack may become warm to the touch while charging. This is a normal condition, and does not indicate a problem. To facilitate the cooling of the battery pack after use, avoid placing the charger or battery pack in a warm environment such as in a metal shed or an uninsulated trailer.
3. If the battery pack does not charge properly:
  - a. Check operation of receptacle by plugging in a lamp or other appliance;
  - b. Check to see if receptacle is connected to a light switch which turns power off when you turn out the lights;
  - c. If charging problems persist, take the tool, battery pack and charger to your local service center.
4. You may charge a partially used pack whenever you desire with no adverse effect on the battery pack.

## Charger Cleaning Instructions



**WARNING:** Shock hazard. Disconnect the charger from the AC outlet before cleaning. Dirt and grease may be removed from the exterior of the charger using

a cloth or soft non-metallic brush. Do not use water or any cleaning solutions.

## Wall Mounting

Some DEWALT chargers are designed to be wall mountable or to sit upright on a table or work surface. If wall mounting, locate the charger within reach of an electrical outlet, and away from a corner or other obstructions which may impede air flow. Use the back of the charger as a template for the location of the mounting screws on the wall. Mount the charger securely using drywall screws (purchased separately) at least 1" (25.4 mm) long, with a screw head diameter of 0.28–0.35" (7–9 mm), screwed into wood to an optimal depth leaving approximately 7/32" (5.5 mm) of the screw exposed. Align the slots on the back of the charger with the exposed screws and fully engage them in the slots.

## SAVE THESE INSTRUCTIONS FOR FUTURE USE

## ASSEMBLY AND ADJUSTMENTS



**WARNING:** To reduce the risk of serious personal injury, turn unit off and remove the battery pack before making any adjustments or removing/installing attachments or accessories. An accidental start-up can cause injury.

## Installing the Machine (Fig. A, H)

1. Assemble the feed handle.
2. Install the chip guard.
3. Fit the lubrication system as necessary.
4. This machine features a concave base making it possible to install on a solid surface, or a pipe with a diameter of no less than 4" and a thickness of no less than 3/8". Remove any particles that will obstruct full contact between the magnetic base **20** and the mounting surface.
5. Fit and tighten the safety chain **26**.

## Assembling the Feed Handle (Fig. D)

The quick-release feed handle can be mounted in one simple operation both to the left and the right of the machine.

1. Screw the handles **6** into the hub **7**. Ensure that the handles are secure.
2. Keep the hub release button **8** depressed while inserting the hub shaft into the hole **33**.
3. Release the button.

## Assemble the Chip Guard (Fig. E)





**WARNING:** Always use the chip guard.

1. Hold the chip guard **25** in front of the tool holder, aligning the slots in the chip guard with the holes in the machine.
2. Fit the wing bolts **39** (from the accessories bag) into the holes located in the front of the frame.

## Lubrication System (Fig. A, F)

### Filling the Coolant Bottle

 **WARNING:** Do not pour cutting fluid into the bottle while mounted in the bracket. Do not allow cutting fluid to enter the drill motor. Electric shock may result.


 **WARNING:** Do not allow cutting fluid to enter the battery port or come in contact with the battery pack.

**NOTE:** If battery comes in contact with cutting fluid wipe it off immediately. The cutting fluid used with this drill may compromise certain battery pack housings. It is highly recommended that battery packs with oil resistant housings (glass filled nylon, designated by a G suffix in the model number) be used.

**NOTE:** The lubrication system is designed for dispensing cutting fluids specifically intended for drilling. Other liquids may damage the system.

1. Turn the the flow regulator **17** counterclockwise to close.
2. Remove coolant bottle **14** from magnetic coolant bottle bracket **13**.
3. Unscrew the cap **18**.
4. Fill the container with cutting coolant diluted with water.
5. Screw the cap back on.
6. Place coolant bottle into magnetic coolant bottle bracket **13**.

### Fitting the Lubrication System (Fig. A, F)

 **WARNING:** Do not use the lubrication system in vertical surfaces or overhead drilling applications.

Only use the lubrication system for horizontal drilling applications, as shown in Figure A.

1. Place coolant bottle **14** into the magnetic coolant bottle bracket **13**, then slide the magnetic coolant bottle bracket onto the either side of the magnetic coolant bottle attachment point **21**.
2. Attach the coolant tube **15** to the coupling connector **16** on the gearbox.
  - a. Unscrew the nut **19** by the wrench first, and place the nut through the end of the coolant tube **15**.
  - b. Press the coolant tube onto the coupling connector **16** first, then use a wrench to tighten the nut.
  - c. To remove, unscrew the nut and then pull the coolant tube from the coupling connector.

**NOTE:** After the coolant tube has been removed, tighten the nut on the coupling connector to prevent losing it.

In order to use the lubrication system, the coolant bottle **14** must be filled with a sufficient amount of cutting fluid.

### Lubrication in Horizontal Applications (Fig. F)

1. Adjust the fluid flow as required using the flow regulator **17**.
2. Add more cutting fluid if the shavings become blue.

## Lubrication in Vertical and Overhead Applications

Dip the cutter in cutting paste or apply an appropriate spray.

### Fitting the Safety Chain (Fig. H)

 **WARNING:** Always use the safety chain.

 **WARNING:** Never attach the safety chain through the carry handle.

Feed the provided safety chain **26** through the safety chain opening **28** of unit and around the workpiece and secure in place.

### Inserting and Removing an Accessory (Fig. G)

The tool holder accepts annular cutters with a Weldon 3/4" shank with two flats.

 **CAUTION:** Laceration hazard. The cutter teeth are sharp.

1. Slide the pilot pin **42** through the hole in the center of the cutter shank.
2. Push up on the 3/4" Weldon quick-change chuck **10**.
3. Insert the cutter **43** with pilot pin and turn until the flat meets the locking pin. When the flat meets the locking pin the collar will snap down.
4. Check that the cutter is securely held in the arbor.
5. Lift the 3/4" Weldon quick-change chuck to release the cutter.

### Three-Jaw Chuck (Fig. G)

A 3-jaw chuck **11** can be installed to fit the drill press for various bit sizes. Refer to **Inserting and Removing an Accessory** for installation instructions.

1. Place chuck key **27** in each of the three holes, and tighten in clockwise direction. It's important to tighten chuck with all three holes to prevent slippage.
2. To release bit, turn chuck key counterclockwise in just one hole, then loosen the chuck by hand.

**NOTE:** It may be necessary to adjust the motor position when chuck is installed. Please refer to **Adjusting the Motor Height** for instructions.

Refer to the **Accessories** section for further information on appropriate accessories.

### Magnet Engagement Lever (Fig. N)

The magnetic strength can be switched by using the magnet engagement lever **2**.

Moving the magnet engagement lever towards the middle position increases the magnetic power to 15%. This is a feature to provide some user assistance while securing the unit into place.

Moving the magnet engagement lever to the left position increases the magnet power to 100%.



With the magnet engagement lever positioned to the right the magnetic power is turned off. When moving the handle from the left to the right the collar **37** on the handle must be lifted to move out of either 100% engaged or 15% engaged.



**NOTE:** The unit will not turn on until the magnet engagement lever is in the left position at 100%.

## Gear Selector (Fig. L)

**CAUTION:** Do not change gears while motor is running.

The machine is equipped with a two-gear selector to vary the speed/torque ratio.

- Press in the gear selector button **32** and rotate the gear selector dial **5** into the desired mode.
- LOW SPEED AND HIGH TORQUE:**  Rotate the gear selector to the left for low speed and high torque.  
**HIGH SPEED AND LOW TORQUE:**  Rotate the gear selector to the right for high speed and low torque.

	1	2	3	4	5
	250	370	500	660	810
	130	190	260	340	420

## Speed Selection (Fig. A)

The tool features five speed settings for greater versatility.

- To select a higher RPM setting, rotate the speed selector **4** to a higher number.
- To select a lower RPM setting, rotate the speed selector to a lower number.

If the tool does not change speeds, confirm that the speed selection switch is completely engaged in the forward or back position.

Refer to the *Speed (RPM) and Drill Settings* chart at the back of this section for speed and cutter size recommendations.

## Forward/Reverse Button (Fig. M)

A forward/reverse control button **3** determines the direction of bit rotation.

**NOTE:** The reverse feature of this tool is used for tapping screw holes. Reverse speed will be 350 rpms in low gear and 680 rpm in high gear regardless of variable speed.

To select **forward rotation**, release the ON/OFF switch **1** and switch the forward/reverse control button towards the forward icon **40**.

To select **reverse**, switch the forward/reverse control button towards the reverse icon **41**.

## Adjusting the Motor Height (Fig. I)

The motor height can be adjusted to accommodate the need for more or less bit clearance over the workpiece.

- Loosen the motor slide lever **12**.
- Position the motor to the desired height.
- Tighten the motor slide lever firmly to secure the motor in position.

**NOTE:** There are three set screws **38** along the side of the frame that can be tightened or loosened to adjust how easily the motor housing moves with the feed handle **6**.

## OPERATION

**WARNING:** To reduce the risk of serious personal injury, turn unit off and remove the battery pack before making any adjustments or removing/installing attachments or accessories. An accidental start-up can cause injury.

## Carry handle (Fig. J)

This carry handle has two functions:

- Carry the tool when it is in vertical position.
- Protect the battery from dropping off in its folded position for tool's upside down application.

## Installing and Removing the Battery Pack (Fig. J, K)

**WARNING:** Ensure the tool/appliance is in the off position before inserting the battery pack.

**WARNING:** Keep cutting fluid away from the battery pack. Contact with cutting fluid may cause the battery housing to crack. If battery comes in contact with cutting fluid, clean the battery immediately.

**NOTE:** It is highly recommended that battery packs with oil resistant housings (glass filled nylon, designated by a G suffix in the model number) be used. For best results, make sure your battery pack is fully charged.

To install the battery pack **29** into the battery port **31** press and hold the carry handle release button **23** and move the carry handle **22** into the vertical position. Align the battery pack with the rails inside the battery port and slide it in until the battery pack is firmly seated in the tool and ensure that it does not disengage.

To remove the battery pack from the tool, press and hold the carry handle release button **23** and move the carry handle **22** into the vertical position. Press the release button **30** and firmly pull the battery pack out of the battery port. Insert it into the charger as described in the charger section of this manual.

**NOTE:** If the battery is still difficult to remove with the carry handle in the vertical position, press and hold the carry handle release button and push the carry handle a little further towards the front of the tool to create more space for the battery to be removed.

## Prior to operation

**WARNING:** Inspect the chain before each use, for wear or damage. Replace if necessary.

Try a few simple projects using scrap material until you develop a "feel" for the machine.

## Switching On and Off (Fig. A)

In order to operate properly, the machine has to be switched following the procedure as described below.

## Switching the power on and off

**WARNING:** In a vertical or upside down application, the tool will drop off from the workpiece if the magnet engagement lever is **NOT** at the 100% position.

Push the power switch **1** up **(I)** to run the tool.

**NOTE:** The tool will not run unless magnet is at 100% engagement. An orange light will illuminate indicating the magnet is not fully engaged.

Press the switch down **(O)** to shut down the tool.

## E-Clutch® System and Low Voltage Indicator LED (Fig. A)

The DCD1623 is equipped with the DeWALT E-Clutch® system. This feature senses the motion of the tool and shuts the tool down if necessary. The E-Clutch® indicator **24** will illuminate red to indicate status.

The working LED on the front of the magnetic base **20** will flash to alert the user of low voltage conditions.

INDICATOR	DIAGNOSIS	SOLUTION
OFF	Tool is functioning normally	Follow all warnings and instructions when operating the tool.
RED SOLID	E-Clutch® System has been activated (ENGAGED)	With the tool properly supported, release trigger. The tool will function normally when the trigger is depressed again and the indicator light will go out.
ORANGE SOLID	The magnet engagement lever is not in the 100% position with the power switch on.	Move the magnet engagement lever to the 100% position.
WHITE FLASHING	Low voltage battery conditions	Suspend use of the tool and replace with fully charged battery.

## Drilling with Annular Cutters

- Annular cutters only cut material at the periphery of the hole, rather than converting the entire hole to shavings. As a result the energy required to make a hole is lower than for a twist drill.
- When drilling with an annular cutter, it is not necessary to drill a pilot hole.

**CAUTION:** Do not touch the cutter or the parts close to the cutter immediately after operation, as they may be extremely hot and cause burns to the skin. Ensure nobody is in the work area where the metal core is ejected.

## Drilling Conditions

The ease with which material can be drilled is dependent on several factors including tensile strength and abrasion resistance. Hardness and /or strength is the usual criterion, wide variations in machine ability can exist among material showing similar physical properties. The drilling conditions are dependent on requirements for tool life and surface finish. These conditions are further restricted by the rigidity of the tool and the workpiece, lubrication and machine power available. The harder the material the lower the cutting speed. Some materials of low hardness contain abrasive substances leading to rapid cutting edge wear at high speeds. Feed rates are governed by rigidity of set-up, volume

of material to be removed, surface finish and available machine power.

## Drilling a Hole (Fig. A)

- Always apply an appropriate cutting fluid/coolant on the cutting area.
- Lower the guard **10** so that it screens the surface to be drilled.
- Make sure the drill point or cutter pilot is properly installed over the spot to be drilled.
- Push the power switch **1** up **(I)** to run the tool.
- Slowly feed the accessory into the workpiece using the feed handle **6**.
- At the start of the cut, apply light pressure to allow the accessory to perform the initial groove.
- Continue applying sufficient pressure to achieve a smooth progressive cut. Do not force.
- Take extra care when the accessory is about to break through the surface to prevent splintering.
- Always turn off the motor, the magnet and the power, in that particular order, when work is finished and before removing the battery.

## MAINTENANCE

**WARNING:** To reduce the risk of serious personal injury, turn unit off and remove the battery pack before making any adjustments or removing/installing attachments or accessories. An accidental start-up can cause injury.

Your DeWALT power tool has been designed to operate over a long period of time with a minimum of maintenance. Continuous satisfactory operation depends upon proper tool care and regular cleaning.

## Tool Connect™ Chip (Fig. O)

### Optional Accessory

**WARNING:** To reduce the risk of serious personal injury, turn unit off and remove the battery pack before making any adjustments or removing/installing attachments or accessories. An accidental start-up can cause injury.

Your tool is Tool Connect™ Chip ready and has a location for installation of a Tool Connect™ Chip.

Tool Connect™ Chip is an optional application for your smart device (such as a smart phone or tablet) that connects the device to utilize the mobile application for inventory management functions.

Refer to **Tool Connect™ Chip Instruction Sheet** for more information.

### Installing the Tool Connect™ Chip

- Remove the retaining screws **34** that hold the Tool Connect™ Chip protective cover **36** into the tool.
- Remove the protective cover and insert the Tool Connect™ Chip into the empty pocket **35**.
- Ensure that the Tool Connect™ Chip is flush with the housing. Secure it with the retaining screws and tighten the screws.

4. Refer to **Tool Connect™ Chip Instruction Sheet** for further instructions.

## Cleaning



**WARNING:** Blow dirt and dust out of all air vents with clean, dry air at least once a week. To minimize the risk of eye injury, always wear ANSI Z87.1 approved eye protection when performing this procedure.



**WARNING:** Never use solvents or other harsh chemicals for cleaning the non-metallic parts of the tool. These chemicals may weaken the plastic materials used in these parts. Use a cloth dampened only with water and mild soap. Never let any liquid get inside the tool; never immerse any part of the tool into a liquid.

## Accessories



**WARNING:** Since accessories, other than those offered by DEWALT, have not been tested with this product, use of such accessories with this product could be hazardous. To reduce the risk of injury, only DEWALT recommended accessories should be used with this product.

Recommended accessories for use with your product are available at extra cost from your local dealer or authorized service center. If you need assistance in locating any accessory, please contact DEWALT call **1-800-4-DEWALT (1-800-433-9258)** or visit our website: **www.dewalt.com**.

## Repairs

The charger and batteries are not serviceable. There are no serviceable parts inside the charger or battery pack.



**WARNING:** To assure product SAFETY and RELIABILITY, repairs, maintenance and adjustment (including brush inspection and replacement, when applicable) should be performed by a DEWALT factory service center or a DEWALT authorized service center. Always use identical replacement parts.

## Register Online

Thank you for your purchase. Register your product now for:

- **WARRANTY SERVICE:** Registering your product will help you obtain more efficient warranty service in case there is a problem with your product.
- **CONFIRMATION OF OWNERSHIP:** In case of an insurance loss, such as fire, flood or theft, your registration of ownership will serve as your proof of purchase.
- **FOR YOUR SAFETY:** Registering your product will allow us to contact you in the unlikely event a safety notification is required under the Federal Consumer Safety Act.
- Register online at **www.dewalt.com**.

## Three Year Limited Warranty

For warranty terms, go to <https://www.dewalt.com/Legal/Warranty/3-Year-Limited-Warranty>.

To request a written copy of the warranty terms, contact: Customer Service at DEWALT Industrial Tool Co., 701 East Joppa Road, Towson, MD 21286 or call 1-800-4-DEWALT (**1-800-433-9258**).

**LATIN AMERICA:** This warranty does not apply to products sold in Latin America. For products sold in Latin America, see country specific warranty information contained in the packaging, call the local company or see website for warranty information.

**FREE WARNING LABEL REPLACEMENT:** If your warning labels become illegible or are missing, call 1-800-4-DEWALT (**1-800-433-9258**) for a free replacement.



## Speed (RPM) and Drill Settings (with DCB609G)

Cutter Size	Mild Steel	Iron Plate
9/16"–5/8"	600–1000 RPM	800–1200 RPM
	High Gear, Speed 3–5	High Gear, Speed 3–5
11/16"–13/16"	480–800 RPM	640–960 RPM
	High Gear, Speed 3–5	High Gear, Speed 3–5
13/16"–15/16"	400–660 RPM	530–800 RPM
	High Gear, Speed 3–4	High Gear, Speed 3–5
1"–1-3/16"	320–530 RPM	420–640 RPM
	Low Gear, Speed 4–5	High Gear, Speed 3–4
1-1/4"–1-3/8"	270–460 RPM	360–550 RPM
	Low Gear, Speed 4–5	Low Gear, Speed 4–5
1-7/16"–1-9/16"	230–400 RPM	320–480 RPM
	Low Gear, Speed 3–4	Low Gear, Speed 4–5
1-5/8"–1-3/4"	210–320 RPM	280–420 RPM
	Low Gear, Speed 3–4	Low Gear, Speed 3–5
1-13/16"–2"	190–320 RPM	260–380 RPM
	Low Gear, Speed 2–3	Low Gear, Speed 3–4
For 1-1/2" diameter or thicker than 1" and above use a 9Ah pack.		



**AVERTISSEMENT : lisez tous les avertissements de sécurité et toutes les instructions.** Ne pas suivre les avertissements et les instructions peut entraîner un choc électrique, un incendie et/ou des blessures graves.



**AVERTISSEMENT : pour réduire le risque de blessure, lisez le guide d'utilisation.**

## Utilisation prévue

Cette perceuse à colonne à usage intensif est conçue pour les applications de perçage professionnelles.

**NE PAS** utiliser en conditions mouillées ou en présence de liquides ou de gaz inflammables.

Cette perceuse à colonne est un outil électrique professionnel. **NE PAS** laisser les enfants entrer en contact avec l'outil. Une supervision est requise lorsque des utilisateurs inexpérimentés utilisent cet outil.

## Définitions : symboles et termes

### d'alarmes sécurité

Les définitions ci-dessous décrivent le niveau de gravité de chaque mot d'avertissement. Veuillez lire le manuel de l'outil électrique et prêter attention à ces symboles.



**DANGER :** indique une situation dangereuse imminente qui, si elle n'est pas évitée, **entraînera la mort ou des blessures graves.**



**AVERTISSEMENT :** indique une situation potentiellement dangereuse qui, si elle n'est pas évitée, **pourrait entraîner la mort ou des blessures graves.**



**ATTENTION :** indique une situation potentiellement dangereuse qui, si elle n'est pas évitée, **pourrait entraîner des blessures légères ou modérées.**



(Si utilisé sans aucun terme) Indique un message propre à la sécurité.

**AVIS :** indique une pratique ne posant **aucun risque de dommages corporels** mais qui par contre, si rien n'est fait pour l'éviter, **pourrait poser des risques de dommages matériels.**

## AVERTISSEMENTS GÉNÉRAUX SUR LA SÉCURITÉ DES OUTILS



**AVERTISSEMENT : lisez tous les avertissements de sécurité, toutes les instructions, les illustrations et les caractéristiques fournis avec cet outil électrique.** Ne pas suivre toutes les instructions comprises aux présentes peut conduire à un choc électrique, un incendie et/ou des blessures graves.

### CONSERVER TOUS LES AVERTISSEMENTS ET TOUTES LES DIRECTIVES POUR UN USAGE ULTÉRIEUR

Le terme « outil électrique » cité dans les avertissements se rapporte à votre outil électrique à alimentation sur secteur (avec fil) ou par piles (sans fil).

## 1) Sécurité du lieu de travail

- Tenir l'aire de travail propre et bien éclairée.** Les lieux encombrés ou sombres sont propices aux accidents.
- Ne pas faire fonctionner d'outils électriques dans un milieu déflagrant, tel qu'en présence de liquides, de gaz ou de poussières inflammables.** Les outils électriques produisent des étincelles qui pourraient enflammer la poussière ou les vapeurs.
- Éloigner les enfants et les personnes à proximité pendant l'utilisation d'un outil électrique.** Une distraction pourrait en faire perdre la maîtrise à l'utilisateur.

## 2) Sécurité en matière d'électricité

- Les fiches des outils électriques doivent correspondre à la prise. Ne jamais modifier la fiche d'aucune façon. Ne jamais utiliser de fiche d'adaptation avec un outil électrique mis à la terre.** Le risque de choc électrique sera réduit par l'utilisation de fiches non modifiées correspondant à la prise.
- Éviter tout contact physique avec des surfaces mises à la terre comme des tuyaux, des radiateurs, des cuisinières et des réfrigérateurs.** Le risque de choc électrique est plus élevé si votre corps est mis à la terre.
- Ne pas exposer les outils électriques à la pluie ou à l'humidité.** La pénétration de l'eau dans un outil électrique augmente le risque de choc électrique.
- Ne pas utiliser le cordon de façon abusive. Ne jamais utiliser le cordon pour transporter, tirer ou débrancher un outil électrique. Tenir le cordon éloigné de la chaleur, de l'huile, des bords tranchants et des pièces mobiles.** Les cordons endommagés ou enchevêtrés augmentent les risques de choc électrique.
- Pour l'utilisation d'un outil électrique à l'extérieur, se servir d'une rallonge convenant à cette application.** L'utilisation d'une rallonge conçue pour l'extérieur réduira les risques de choc électrique.
- S'il est impossible d'éviter l'utilisation d'un outil électrique dans un endroit humide, brancher l'outil dans une prise ou sur un circuit d'alimentation dotés d'un disjoncteur de fuite à la terre (GFCI).** L'utilisation de ce type de disjoncteur réduit les risques de choc électrique.

## 3) Sécurité personnelle

- Être vigilant, surveiller le travail effectué et faire preuve de jugement lorsqu'un outil électrique est utilisé. Ne pas utiliser d'outil électrique en cas de fatigue ou sous l'influence de drogues, d'alcool ou de médicaments.** Un simple moment d'inattention en utilisant un outil électrique peut entraîner des blessures corporelles graves.
- Utiliser des équipements de protection individuelle. Toujours porter une protection oculaire.** L'utilisation d'équipements de protection comme un masque antipoussière, des chaussures

antidérapantes, un casque de sécurité ou des protecteurs auditifs lorsque la situation le requiert réduira les risques de blessures corporelles.

- c) **Empêcher les démarrages intempestifs. S'assurer que l'interrupteur se trouve à la position d'arrêt avant de relier l'outil à une source d'alimentation et/ou d'insérer un bloc-piles, de ramasser ou de transporter l'outil.** Transporter un outil électrique alors que le doigt repose sur l'interrupteur ou brancher un outil électrique dont l'interrupteur est à la position de marche risque de provoquer un accident.
- d) **Retirer toute clé de réglage ou clé avant de démarrer l'outil.** Une clé ou une clé de réglage attachée à une partie pivotante de l'outil électrique peut provoquer des blessures corporelles.
- e) **Ne pas trop tendre les bras. Conserver son équilibre en tout temps.** Cela permet de mieux maîtriser l'outil électrique dans les situations imprévues.
- f) **S'habiller de manière appropriée. Ne pas porter de vêtements amples ni de bijoux. Garder les cheveux, les vêtements et les gants à l'écart des pièces mobiles.** Les vêtements amples, les bijoux ou les cheveux longs risquent de rester coincés dans les pièces mobiles.
- g) **Si des composants sont fournis pour le raccordement de dispositifs de dé poussiérage et de ramassage, s'assurer que ceux-ci sont bien raccordés et utilisés.** L'utilisation d'un dispositif de dé poussiérage peut réduire les dangers engendrés par les poussières.
- h) **Ne pas laisser votre connaissance acquise suite l'utilisation fréquente des outils vous permettre de baisser la garde et ignorer les principes de sécurité de l'outil.** Un acte irréfléchi peut causer une blessure grave en une fraction de seconde.

#### 4) Utilisation et entretien d'un outil électrique

- a) **Ne pas forcer un outil électrique. Utiliser l'outil électrique approprié à l'application.** L'outil électrique approprié effectuera un meilleur travail, de façon plus sûre et à la vitesse pour laquelle il a été conçu.
- b) **Ne pas utiliser un outil électrique dont l'interrupteur est défectueux.** Tout outil électrique dont l'interrupteur est défectueux est dangereux et doit être réparé.
- c) **Débranchez la fiche de la prise électrique et, si amovible, retirez le bloc-piles de l'outil avant d'effectuer tout ajustement, changement et entreposage de celui-ci.** Ces mesures préventives réduisent les risques de démarrage accidentel de l'outil électrique.
- d) **Ranger les outils électriques hors de la portée des enfants et ne permettre à aucune personne n'étant pas familière avec un outil électrique ou son mode d'emploi d'utiliser cet outil.** Les outils électriques deviennent dangereux entre les mains d'utilisateurs inexpérimentés.

- e) **Gardez les poignées et surfaces d'emprise propres et libres de tout produit lubrifiant. Vérifier si les pièces mobiles sont mal alignées ou coincées, si des pièces sont brisées ou présentent toute autre condition susceptible de nuire au bon fonctionnement de l'outil électrique.** En cas de dommage, faire réparer l'outil électrique avant toute nouvelle utilisation. Beaucoup d'accidents sont causés par des outils électriques mal entretenus.
- f) **S'assurer que les outils de coupe sont aiguisés et propres.** Les outils de coupe bien entretenus et affûtés sont moins susceptibles de se coincer et sont plus faciles à maîtriser.
- g) **Utiliser l'outil électrique, les accessoires, les forets, etc. conformément aux présentes directives en tenant compte des conditions de travail et du travail à effectuer.** L'utilisation d'un outil électrique pour toute opération autre que celle pour laquelle il a été conçu est dangereuse.
- h) **Garder vos mains et les surfaces de prise sèches, propres et libres de graisse et de poussière.** Les mains et les surfaces de prise glissante ne permettent pas la manutention et le contrôle sécuritaires de l'outil dans les situations imprévues.

#### 5) Utilisation et entretien du bloc-piles

- a) **Ne recharger l'outil qu'au moyen du chargeur précisé par le fabricant.** L'utilisation d'un chargeur qui convient à un type de bloc-piles risque de provoquer un incendie s'il est utilisé avec un autre type de bloc-piles.
- b) **Utiliser les outils électriques uniquement avec les bloc-piles conçus à cet effet.** L'utilisation de tout autre bloc-piles risque de causer des blessures ou un incendie.
- c) **Lorsque le bloc-piles n'est pas utilisé, le tenir éloigné des objets métalliques, notamment des trombones, de la monnaie, des clés, des clous, des vis ou autres petits objets métalliques qui peuvent établir une connexion entre les deux bornes.** Le court-circuit des bornes du bloc-piles risque de provoquer des brûlures ou un incendie.
- d) **En cas d'utilisation abusive, le liquide peut gicler hors du bloc-piles; éviter tout contact avec le liquide. Si un contact accidentel se produit, laver à grande eau. Si le liquide entre en contact avec les yeux, obtenir également des soins médicaux.** Le liquide qui gicle hors du bloc-piles peut provoquer des irritations ou des brûlures.
- e) **Ne pas utiliser de bloc-piles ou outil qui a été endommagé ou modifié.** Les unités endommagées ou modifiées peuvent avoir une réaction imprévisible résultant en un incendie, une explosion ou un potentiel de blessure.
- f) **Ne pas exposer de bloc-piles ou l'outil aux flammes ou à des températures excessives.** L'exposition aux flammes ou à une température au-dessus de 130 °C (265 °F) pourrait causer une explosion.

- g) **Suivre toutes les instructions de recharge et ne rechargez pas le bloc-piles ou l'outil à des températures hors de la plage de température indiquée dans les instructions.** Une recharge non conforme ou à une température hors des limites spécifiées peut endommager les piles et augmenter le risque d'incendie.

## 6) Réparation

- a) **Faire réparer l'outil électrique par un réparateur professionnel en n'utilisant que des pièces de rechange identiques.** Cela permettra de maintenir une utilisation sécuritaire de l'outil électriques.
- b) **Ne jamais réparer des blocs-piles endommagés.** La réparation de blocs-piles doit seulement être effectuée par le fabricant ou les fournisseurs de service autorisés.

## Règles de sécurité supplémentaires pour une perceuse à colonne

- Utilisez toujours la chaîne de sécurité. La surface de montage peut se libérer. Si la surface de montage ne permet pas l'utilisation de la chaîne, fixez l'appareil par un autre moyen tel qu'un collier de serrage. L'alimentation électrique peut faire défaut ou l'appareil peut se déconnecter accidentellement.
- Utilisez des pinces ou d'autres façons pratiques pour sécuriser et maintenir la pièce de travail sur une plate-forme stable. Tenir le travail par une main ou contre votre corps est instable et peut mener à une perte de contrôle.
- Gardez vos doigts à l'écart de la zone de perçage.
- La base magnétique est adaptée à une utilisation sur de l'acier d'une épaisseur d'au moins 10 mm (3/8 po), sans entrefer visible entre la surface inférieure de l'aimant et la surface de montage. Les couches de peinture et les irrégularités de surface créent un entrefer. Gardez l'entrefer au minimum. Les entrefers entre l'aimant et la surface de travail affaiblissent la force de maintien magnétique.
- Placez toujours la base de l'aimant sur une surface plane ou un tuyau droit. Ne serrez pas la base sur des objets de petite taille ou de forme irrégulière.
- Placez toujours la base de l'aimant sur une surface exempte de copeaux et de saletés de surface.
- Gardez l'aimant propre et exempt de débris et de copeaux.
- Ne mettez pas le moteur en marche avant d'avoir monté et installé la fraise conformément aux instructions.
- Ne mettez pas le moteur en marche avant d'avoir vérifié que la base magnétique est bien fixée à la surface de montage.
- Avant de mettre le moteur en marche, assurez-vous que l'accessoire a été monté correctement.
- Utilisez toujours la vitesse recommandée pour les accessoires et le matériel.
- N'utilisez pas la machine sur la même pièce que celle sur laquelle sont utilisées des soudeuses électriques.
- Utilisez uniquement un liquide de coupe approprié.

- N'utilisez pas de liquide de coupe lors du perçage de surfaces verticales ou en hauteur. Trempez la fraise dans une pâte de coupe ou appliquez un spray approprié pour ces applications.
- Ne versez pas de liquide de coupe dans le réservoir lorsqu'il est monté sur la perceuse. Ne laissez pas le liquide de coupe pénétrer dans le moteur de la perceuse.
- Si le bloc-piles entre en contact avec le liquide de coupe, essuyez-le immédiatement. Le liquide de coupe utilisé avec cette perceuse peut endommager le boîtier de certains blocs-piles. Il est fortement recommandé d'utiliser des blocs-piles avec des boîtiers résistants à l'huile (nylon rempli de verre, désigné par un suffixe G dans le numéro de modèle).
- Utilisez toujours le pare-copeaux pendant le perçage.



**ATTENTION : aimant extrêmement puissant.** Tenir à l'écart des stimulateurs cardiaques, des défibrillateurs, des équipements médicaux, des ordinateurs, des disques d'ordinateur, des cassettes, des modules de commande du moteur, etc.



**ATTENTION : ne pas utiliser le levier d'engagement de l'aimant ou la poignée d'alimentation pour soulever l'appareil.**



**ATTENTION :** après avoir coupé l'alimentation de l'aimant, la base magnétique continue à adhérer à la surface pendant un moment avant de se libérer. Un léger coup de la main libérera la base.

## Renseignements de sécurité supplémentaires



**AVERTISSEMENT :** ne jamais modifier l'outil électrique ou toute pièce de celui-ci. Cela pourrait entraîner des dommages matériels ou des blessures corporelles.



**AVERTISSEMENT :** portez **TOUJOURS** des lunettes de sécurité. Les lunettes ordinaires NE SONT PAS des lunettes de sécurité. De plus, utilisez un masque facial ou anti-poussière si l'opération de coupe est poussiéreuse. **PORTEZ TOUJOURS UN ÉQUIPEMENT DE SÉCURITÉ CERTIFIÉ :**

- Protection oculaire ANSI Z87.1 (CAN/CSA Z94.3),
- Protection auditive ANSI S12.6 (S3.19),
- Protection respiratoire NIOSH/OSHA/MSHA.



**AVERTISSEMENT :** certaines poussières créées par le ponçage mécanique, le sciage, l'aiguillage, le perçage et autres activités de construction contiennent des produits chimiques reconnus dans l'État de la Californie pour causer le cancer et des anomalies congénitales ou autres effets nuisibles sur la reproduction. Certains exemples de ces produits chimiques sont :

- le plomb provenant des peintures à base de plomb,
- la silice cristallisée provenant des briques, du ciment et d'autres produits de la maçonnerie ainsi que
- l'arsenic et le chrome provenant du bois de construction traité chimiquement.












Votre risque à ces expositions varie selon la fréquence dont vous effectuez ce type de travail. Pour réduire votre exposition à ces produits chimiques : travaillez

dans un endroit bien aéré et avec un équipement de sécurité homologué, comme les masques anti-poussière spécialement conçus pour filtrer les particules microscopiques.

- **Portez des vêtements protecteurs et lavez vos zones exposées avec du savon et de l'eau.** Permettre à la poussière d'entrer dans votre bouche, vos yeux ou la laisser sur la peau peut favoriser l'absorption des produits chimiques dangereux. Dirigez les particules loin du visage et du corps.
- **Utilisez l'extracteur de poussière approprié pour enlever la grande majorité de la poussière statique et en suspension.** Ne pas enlever la poussière statique et en suspension pourrait contaminer l'environnement de travail ou représenter un risque accru pour la santé de l'utilisateur et ceux qui sont à proximité.
- **Utilisez des pinces ou d'autres façons pratiques de sécuriser et maintenez la pièce de travail sur une plateforme stable.** Tenir le travail d'une main ou contre votre corps est instable et peut mener à une perte de contrôle et une blessure.
- **Les événements couvrent souvent des pièces qui se déplacent et doivent être évités.** Des vêtements amples, les bijoux ou les cheveux longs peuvent se coincer dans des pièces qui déplacent.

**ATTENTION : lorsqu'il n'est pas utilisé, placez l'outil en place à un endroit où il ne présentera pas de risque de trébuchement ou de chute.**

L'étiquette sur votre outil peut comporter les symboles suivants. Les symboles et les définitions sont les suivants :

V	volts	n <sub>0n</sub>	vitesse à vide
Hz	hertz	n	vitesse nominale
min	minutes	PSI	livres par pouce carré
— ou CC	courant continu		borne de terre
	Structure de classe I (mise à la terre)		symbole d'alertes de sécurité
.../min	par minute		rayonnement visible ne regardez pas directement la lumière
BPM	batttements par		
minute			
IPM	impacts par minute		portez une protection respiratoire
OPM	oscillations par minute		portez une protection oculaire
Tr/min	tours par minute		portez une protection auditive
Plpm	pieds linéaires par minute		lisez toute la documentation
CPM	coups par minute		ne pas exposer à la pluie.
A	ampères		Aimant puissant. Les personnes portant un stimulateur cardiaque ou tout autre implant médical doivent rester à l'écart de cette perceuse.
W	watts		
Wh	Wattheures		
Ah	ampères-heures		
~ ou CA	courant alternatif		
~ ou CA/CC	courant alternatif ou continu		
	Construction de classe II (à isolation double)		

## PILES ET CHARGEURS

Le bloc-piles n'est pas entièrement chargé lorsqu'il sort de la boîte. Avant d'utiliser le bloc-piles et le chargeur, lisez attentivement les instructions de sécurité suivantes, puis suivez les procédures de chargement énoncées. Lorsque vous commandez des blocs-piles de remplacement, assurez-vous d'inclure le numéro du catalogue et la tension.

### LISEZ TOUTES LES INSTRUCTIONS

#### Consignes de sécurité importantes pour les bloc-piles

- ⚠ **AVERTISSEMENT : lisez toutes les consignes de sécurité, les instructions et les symboles d'avertissements du bloc-piles, du chargeur et du produit. Ne pas suivre les avertissements et les instructions peut entraîner un choc électrique, un incendie et/ou des blessures graves.**
- **Ne pas charger ou utiliser le bloc-piles en atmosphères explosibles comme la présence de liquides inflammables, de gaz ou de poussière.** Insérer ou retirer la pile du bloc-piles peut enflammer la poussière ou les vapeurs.
- **Ne JAMAIS forcer le bloc-piles dans le chargeur. NE PAS modifier le bloc-piles de quelque façon que ce soit dans un chargeur non compatible puisque le bloc-piles peut se briser causant une blessure corporelle.** Consultez le tableau à la fin de ce guide pour la compatibilité des blocs-piles et des chargeurs.
- **Chargez les blocs-piles seulement dans les chargeurs DeWALT.**
- **NE PAS éclabousser ou immerger dans l'eau ou tout autre liquide.**
- **NE PAS laisser l'eau ou tout liquide entre dans le bloc-piles.**
- **Ne pas entreposer ou utiliser l'outil et le bloc-piles dans des endroits où la température peut atteindre ou excéder 40 °C (104 °F) (comme les remises extérieures ou les édifices en métal durant l'été).** Pour une meilleure durée de vie, entreposez le bloc-piles dans un endroit frais et sec.
- **REMARQUE : Ne pas ranger les blocs-piles dans un outil avec la gâchette verrouillée. Ne jamais coller la gâchette avec du ruban adhésif en position Marche.**
- **Ne pas brûler le bloc-piles même s'il est gravement endommagé ou est entièrement usé.** Le bloc-piles peut exploser au cours d'un incendie. Des vapeurs et des matières toxiques sont produites lorsque les blocs-piles au lithium-ion sont brûlés.
- **Ne pas exposer de bloc-piles ou l'outil aux flammes ou à des températures excessives.** L'exposition aux flammes ou à une température au-dessus de 130 °C (265 °F) pourrait causer une explosion.
- **Suivez les instructions de recharge et ne chargez pas le bloc-piles ou l'appareil en hors de la plage de températures indiquée dans les instructions.** Charger de façon inappropriée ou hors de températures de la

plage indiquée peut endommager la pile et augmenter le risque d'incendie.

- **Si le liquide des piles entre en contact avec la peau, lavez immédiatement avec de l'eau et du savon doux.**

Si le liquide vient en contact avec les yeux, rincez à l'eau courante durant 15 minutes, ou jusqu'à ce que l'irritation cesse, en gardant les yeux ouverts. Pour information de consultation médicale, l'électrolyte des piles est composé d'un mélange organique liquide et de sels de lithium.

- **Le contenu des piles peut causer une irritation respiratoire.** Faites circuler de l'air frais. Si les symptômes persistent, consultez un médecin.
- **Le liquide des piles peut être inflammable s'il est exposé aux étincelles ou aux flammes.**
- **Ne jamais tenter d'ouvrir le bloc-piles pour quelque raison que ce soit. Si le boîtier du bloc-piles est fendu ou endommagé, ne pas l'insérer dans le chargeur.** Ne pas écraser, échapper ou endommager le bloc-piles. Ne pas se servir d'un bloc-piles ou chargeur qui a subi un impact, a été échappé, renversé par un véhicule ou endommagé d'une façon ou d'une autre (par ex. perforé par un clou, frappé par un marteau, sur lequel on a marché). Les blocs-piles endommagés devraient être amenés/expédiés au centre de service pour recyclage.

## Recommandations d'entreposage

Le meilleur lieu pour l'entreposage est un endroit frais et sec loin de la lumière directe du soleil et de la chaleur ou du froid excessif. Entreposez le bloc-piles entièrement chargé hors du chargeur.

## Instructions de nettoyage du bloc-piles

La saleté et la graisse peuvent être retirées des surfaces extérieures du bloc-piles à l'aide d'un linge ou d'une brosse souple non métallique. Ne pas utiliser d'eau ou de solution nettoyante.

## Blocs-piles du niveau de la jauge de carburant (Fig. B)

Certains blocs-piles incluent une jauge de carburant. Lorsque vous appuyez et maintenez, les voyants DEL indiqueront le niveau approximatif de charge restante. Cela n'indique pas la fonctionnalité de l'outil et peut varier selon les accessoires utilisés, la température et l'utilisation de l'utilisateur final.

## Transport

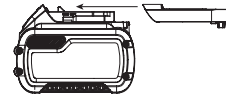


**AVERTISSEMENT : danger d'incendie. Ne pas entreposer ou transporter le bloc-piles de manière à ce que des objets métalliques puissent entrer en contact avec les bornes des piles exposées.** Par exemple, ne pas placer le bloc-piles dans des tabliers, des poches, des coffres à outils, des boîtes d'ensembles de produits, des tiroirs, etc. avec des clous, des vis, des clés, les pièces de monnaie, les outils à main, etc. Lorsque vous transportez des blocs-piles individuels, assurez-vous que leurs bornes sont protégées et bien isolées de tout matériel avec lequel elles pourraient entrer en contact et causer un court-circuit.

**REMARQUE :** Les blocs-piles Li-Ion ne doivent pas être mises dans des bagages enregistrés sur les avions et doivent être bien protégées contre les courts-circuits si elles sont dans des bagages à main.

## Expédier le bloc-pile FLEXVOLT™ de DEWALT

Le bloc-piles FLEXVOLT™ de DEWALT a un couvercle des piles qui doit être utilisé lorsque vous expédiez le bloc-piles.



Fixez le

couvercle au bloc-piles afin qu'il soit prêt pour l'expédition. Cela convertit le bloc-piles en trois piles 20 V séparés. Les trois piles ont un taux de wattheures sur le bloc-piles étiqueté « Expédition ». Si vous l'expédiez sans le capuchon ou dans un outil, le bloc est une pile au taux de wattheures étiquetée « Utiliser ».

Exemple d'étiquette de bloc-piles :

**UTILISATION : 120 Wh Expédition : 3 x 40 Wh**

Dans cet exemple, le bloc-piles est trois piles de 40 wattheures chacune lorsque vous utilisez le couvercle. Sinon, le bloc-piles est 120 wattheures.

## Le sceau RBRC™

Veillez apporter vos blocs-piles usagés à un centre de service agréé DEWALT ou à votre détaillant local pour le recyclage. Dans certaines régions, il est illégal de mettre les blocs-piles usagés à la poubelle. Vous pouvez aussi contacter votre centre de recyclage local pour des informations sur les endroits où déposer le bloc-piles usagé. Ne pas mettre dans la collecte sélective. Pour de plus amples renseignements, visitez [www.call2recycle.org](http://www.call2recycle.org) ou appelez au numéro sans frais dans le sceau RBRC™. RBRC™ est une marque de commerce déposée de Call 2 Recycle, Inc.



## Consignes de sécurité importantes pour tous les chargeurs de piles



**AVERTISSEMENT : lisez toutes les consignes de sécurité, les instructions et les symboles d'avertissements du bloc-piles, du chargeur et du produit. Ne pas suivre les avertissements et les instructions peut entraîner un choc électrique, un incendie et/ou des blessures graves.**

- **NE PAS tenter de charger le bloc-piles avec un chargeur autre qu'un chargeur DEWALT.** Les chargeurs et les blocs-piles DEWALT sont spécifiquement conçus pour fonctionner ensemble.
- **Ces chargeurs ne sont pas destinés à d'autres utilisations que la charge des blocs-piles rechargeables DEWALT.** Les autres types de chargement de blocs-piles peuvent causer la surchauffe et l'éclatement de ceux-ci, entraînant une blessure corporelle, des dommages matériels, un choc électrique ou une électrocution.
- **Ne pas exposer le chargeur à la pluie ou la neige.**

- **Ne pas laisser l'eau ou tout liquide entrer dans le chargeur.**
- **Tirez la fiche au lieu du cordon lorsque vous débranchez le chargeur.** Cela réduira le risque d'endommager la fiche et le cordon électriques.
- **Assurez-vous de ne pas placer le cordon là où il pourrait faire trébucher les passants ou être endommagé de quelque façon que ce soit.**
- **Ne pas utiliser une rallonge à moins que ce ne soit absolument nécessaire.** L'utilisation d'une rallonge inadéquate pourrait entraîner un risque d'incendie un choc électrique ou une électrocution.
- **Lors de l'utilisation d'un chargeur à l'extérieur, gardez-le toujours au sec et utilisez une rallonge appropriée pour l'extérieur.** L'utilisation d'une rallonge appropriée pour l'extérieur réduit le risque de choc électrique.
- **Une rallonge doit avoir un calibre de fil (AWG ou calibre américain normalisé des fils) approprié pour la sécurité.** Plus le numéro de calibre du fil est petit, plus le cordon est lourd et par conséquent plus sa capacité est grande. Un cordon de taille inférieure entraînera une chute de tension de secteur ce qui causera une perte de puissance et une surchauffe. Le tableau suivant affiche la bonne taille à utiliser selon longueur totale des de toutes les rallonges branchées ensemble et l'intensité nominale de la plaque signalétique. En cas de doute, utilisez le calibre le plus lourd suivant.

#### Calibre minimum pour rallonges électriques

Volts		Longueur totale de la rallonge en pieds (mètres)			
		25 (7,6)	50 (15,2)	100 (30,5)	150 (45,7)
120 V		25 (7,6)	50 (15,2)	100 (30,5)	150 (45,7)
Courant nominal		AWG (American Wire Gauge)			
Plus de	Pas plus de				
0	6	18	16	16	14
6	10	18	16	14	12
10	12	16	16	14	12
12	16	14	12	Non recommandé	

- **Ne pas placer tout objet sur le dessus du chargeur ou placer le chargeur sur une surface molle qui pourrait bloquer les fentes de ventilation et entraîner une chaleur interne excessive.** Placez le chargeur loin de toute source de chaleur. Le chargeur est ventilé grâce aux fentes du dessus et du bas du boîtier.
- **Ne pas utiliser le chargeur avec un cordon endommagé.** Faites-les remplacer immédiatement.
- **Ne pas utiliser le chargeur s'il a reçu un choc violent, s'il a été échappé ou est autrement endommagé de quelque façon que ce soit.** Apportez-le dans un centre de services autorisé.
- **Ne pas démonter le chargeur; apportez-le dans un centre de services autorisé lorsqu'un entretien ou une réparation est nécessaire.** Un mauvais réassemblage peut entraîner un danger de choc électrique, une électrocution ou un incendie.
- **Le chargeur est conçu pour fonctionner sur une alimentation électrique domestique 120 V. Ne pas**

**essayer de l'utiliser sur toute autre tension.** Cette consigne ne concerne pas le chargeur pour véhicule.

- **Les matières étrangères conductrices telles, mais sans s'y limiter, les poussières de meulage, les copeaux métalliques, la laine d'acier, le papier d'aluminium ou toute accumulation de particules métalliques devraient être éloignées des ouvertures du chargeur et des fentes de ventilation.**
- **Débranchez toujours le chargeur de l'alimentation lorsqu'il n'y a aucun bloc-piles à l'intérieur.**

## Charger une pile (Fig. B, C)

1. Branchez le chargeur dans une prise appropriée.
2. Insérez et appuyez complètement le bloc-piles. Le(s) voyant(s) de chargement rouge clignotera(ont) de façon continue durant le chargement.
3. Le chargement est terminé lorsque le(s) voyant(s) de chargement rouge demeure(nt) allumé(s) de façon continue. Le bloc-piles peut être laissé dans le chargeur ou retiré. Certains chargeurs nécessitent d'appuyer sur le bouton de libération du bloc-piles pour les retirer.



**AVERTISSEMENT :** chargez seulement le bloc-piles si la température de l'air est au-dessus de 4,5 °C (40 °F) et sous 40 °C (104 °F).

4. Le chargeur ne chargera pas un bloc-piles défectueux, ce qui peut être indiqué par le(s) voyant(s) de chargement qui reste(nt) éteint(s). Apportez le chargeur et le bloc-piles dans un centre de services autorisé si le(s) voyant(s) reste(nt) éteint(s).

**REMARQUE :** Consultez l'étiquette près du (des) voyant(s) de chargement sur le chargeur pour les modèles de clignotement. Les vieux chargeurs peuvent avoir des renseignements supplémentaires et/ou peuvent ne pas avoir un voyant jaune.

**REMARQUE :** Pour retirer le bloc-piles, on doit appuyer sur le bouton de libération du bloc-piles sur certains chargeurs.

## Délai en cas de bloc chaud ou froid

Lorsque le chargeur détecte un bloc-piles qui est trop chaud ou trop froid, il démarre automatiquement le délai pour le bloc chaud/froid, suspendant la recharge jusqu'à ce que la température du bloc-piles ait atteint une température appropriée. Le chargeur passe alors automatiquement en mode de chargement du bloc-piles. Cette fonction assure une durée de vie maximale du bloc-piles.

Un bloc-piles froid peut se charger à une vitesse plus lente qu'un bloc-piles chaud.

Le délai en cas de bloc chaud ou froid sera indiqué par le(s) voyant(s) rouge continuant à clignoter, mais avec le voyant jaune allumé de façon continue. Lorsque le bloc-piles a atteint une température appropriée, le voyant jaune s'éteindra et le chargeur reprendra la procédure de chargement.

## DCB118 et DCB112 Chargers

Les chargeurs DCB118 et DCB112 sont munis d'un ventilateur interne conçu pour refroidir le bloc-piles. Le ventilateur se mettra automatiquement en marche chaque fois que le bloc-piles aura besoin de se refroidir.

## FRANÇAIS

N'utilisez jamais le chargeur si le ventilateur ne fonctionne pas correctement ou si ses fentes d'aération sont bloquées. Protégez systématiquement l'intérieur du chargeur de tout objet étranger.


### Système de protection électronique

Les outils Li-Ion sont conçus avec un système de protection électronique qui protégera le bloc-piles contre une surcharge, une surchauffe et une importante décharge. L'outil s'éteint automatiquement et le bloc-piles doit être rechargé.

### Remarques importantes sur la charge

1. Pour augmenter la durée de vie du bloc-piles et optimiser son rendement, le recharger à une température ambiante de 18 °C à 24 °C (65 °F à 75 °F). NE PAS charger lorsque le bloc-piles est en dessous de +4,5 °C (+40 °F) ou au-dessus de +40 °C (+104 °F). C'est important pour prévenir tout dommage sérieux au bloc-piles.
2. Le chargeur et le bloc-piles peuvent devenir chauds au toucher durant le chargement. C'est un état normal et cela n'indique pas un problème. Pour faciliter le refroidissement du bloc-piles après l'utilisation, évitez de placer le chargeur ou le bloc-piles dans un environnement chaud comme une remise en métal ou une remorque non isolée.
3. Si le bloc-piles ne charge pas de adéquatement :
  - a. Vérifiez le fonctionnement de la prise en branchant une lampe ou un autre appareil;
  - b. Vérifiez si la prise d'alimentation est connectée à un interrupteur de lumière qui s'éteint lorsque vous éteignez les lumières;
  - c. Si les problèmes de chargement persistent, apportez l'outil, le bloc-piles et le chargeur dans votre centre de services local.
4. Vous pouvez charger un bloc partiellement utilisé au moment désiré sans effet indésirable sur le bloc-piles.

### Instructions de nettoyage du chargeur

 **AVERTISSEMENT** : danger de choc électrique. Débranchez le chargeur de la prise CA avant de nettoyer. La saleté et la graisse peuvent être retirées des surfaces extérieures du chargeur à l'aide d'un linge ou d'une brosse souple non métallique. Ne pas utiliser d'eau ou de solution nettoyante.


### Montage mural

Certains chargeurs DEWALT sont conçus pour pouvoir être installés au mur ou être placés verticalement sur une table ou une surface de travail. Pour la fixation au mur, placez le chargeur près d'une prise de courant et loin d'un coin ou d'autres obstructions qui peuvent nuire à la circulation de l'air. Utilisez la base du chargeur comme modèle pour l'emplacement des vis de montage sur le mur. Fixez solidement le chargeur à l'aide de vis pour cloison sèche (achetées séparément) d'au moins 25,4 mm (1 po) de longueur avec tête de diamètre de 7 à 9 mm (0,28 à 0,35 po) vissées dans du bois à une profondeur optimale en laissant

exposée une partie de vis d'environ 5,5 mm (7/32 po). Alignez les fentes au dos du chargeur avec les vis exposées et insérez-les entièrement dans les fentes.

### CONSERVEZ CES INSTRUCTIONS POUR UTILISATION ULTÉRIEURE

### ASSEMBLAGE ET AJUSTEMENTS

 **AVERTISSEMENT** : afin de réduire le risque de blessure corporelle, éteignez et retirez le bloc-piles avant d'effectuer tout ajustement ou de retirer/installer des pièces ou des accessoires. Un démarrage accidentel peut causer des blessures.

### Installer la machine (Fig. A, H)

1. Assemblez la poignée d'alimentation.
2. Installez le pare-copeaux.
3. Installez le système de lubrification si nécessaire.
4. Cette machine est dotée d'une base concave permettant de l'installer sur une surface solide ou sur un tuyau d'un diamètre d'au moins 4 po et d'une épaisseur d'au moins 3/8 po. Enlevez toute particule qui empêcherait un contact complet entre la base magnétique **20** et la surface de montage.
5. Installez et serrez la chaîne de sécurité **26**.

### Assembler la poignée d'alimentation (Fig. D)

La poignée d'alimentation à dégagement rapide peut être montée en une seule opération à gauche et à droite de la machine.

1. Vissez les poignées **6** dans le moyeu **7**. Assurez-vous que les poignées sont bien fixées.
2. Maintenez le bouton de dégagement du moyeu **8** enfoncé tout en insérant l'arbre du moyeu dans le trou **33**.
3. Relâchez le bouton.

### Assembler le pare-copeaux (Fig. E)


 **AVERTISSEMENT** : utilisez toujours le pare-copeaux.

1. Tenez le pare-copeaux **25** devant le porte-outil, en alignant les fentes du pare-copeaux avec les trous de la machine.
2. Placez les écrous à oreilles **39** (du sac d'accessoires) dans les trous situés à l'avant du châssis.

### Système de lubrification (Fig. A, F)

### Remplissage de la bouteille de liquide de refroidissement

 **AVERTISSEMENT** : ne versez pas de liquide de coupe dans la bouteille lorsqu'elle est montée sur le support. Ne laissez pas le liquide de coupe pénétrer dans le moteur de la perceuse. Cela peut entraîner un choc électrique.

 **AVERTISSEMENT** : ne laissez pas le liquide de coupe pénétrer dans le port bloc-piles ou entrer en contact avec le bloc-piles.



**REMARQUE :** Si le bloc-piles entre en contact avec le liquide de coupe, essuyez-le immédiatement. Le liquide de coupe utilisé avec cette perceuse peut endommager le boîtier de certains blocs-piles. Il est fortement recommandé d'utiliser des blocs-piles avec des boîtiers résistants à l'huile (nylon rempli de verre, désigné par un suffixe G dans le numéro de modèle).

**REMARQUE :** Le système de lubrification est conçu pour distribuer des fluides de coupe spécifiquement destinés au perçage. D'autres liquides peuvent endommager le système.

1. Tournez le régulateur de débit **17** dans le sens inverse des aiguilles d'une montre pour le fermer.
2. Retirez la bouteille de liquide de refroidissement **14** du support magnétique de la bouteille de liquide de refroidissement **13**.
3. Dévissez le bouchon **18**.
4. Remplissez le conteneur de liquide de refroidissement de coupe dilué avec de l'eau.
5. Revissez le bouchon.
6. Placez la bouteille de liquide de refroidissement dans le support magnétique de la bouteille de liquide de refroidissement **13**.

## Montage du système de lubrification (Fig. A, F)

**AVERTISSEMENT :** *n'utilisez pas le système de lubrification pour les surfaces verticales ou les applications de perçage en hauteur.*

N'utilisez le système de lubrification que pour des applications de perçage horizontal, comme indiqué sur la Figure A.

1. Placez la bouteille de liquide de refroidissement **14** dans le support de bouteille de liquide de refroidissement magnétique **13**, puis faites glisser le support de bouteille de liquide de refroidissement magnétique de chaque côté du point de fixation de la bouteille de liquide de refroidissement magnétique **21**.
2. Fixez le tube de liquide de refroidissement **15** au connecteur de couplage **16** sur la boîte d'engrenages.
  - a. Dévissez l'écrou **19** avec la clé pour en premier et placez-le sur l'extrémité du tube de liquide de refroidissement **15**.
  - b. Enfoncez d'abord le tube de liquide de refroidissement sur le connecteur de couplage **16**, puis serrez l'écrou à l'aide d'une clé.
  - c. Pour le retirer, dévissez l'écrou, puis retirez le tube du connecteur de couplage.

**REMARQUE :** Une fois le tube de liquide de refroidissement retiré, serrez l'écrou sur le connecteur de couplage pour éviter de l'égarer.

Pour pouvoir utiliser le système de lubrification, la bouteille de liquide de refroidissement **14** doit être remplie d'une quantité suffisante de liquide de coupe.

## Lubrification dans les applications horizontales (Fig. F)

1. Réglez le débit du fluide selon les besoins à l'aide du régulateur de débit **17**.

2. Ajoutez du liquide de coupe si les copeaux deviennent bleus.

## Lubrification dans les applications verticales et en hauteur

Trempez la fraise dans la pâte de coupe ou appliquez un spray approprié.

## Montage de la chaîne de sécurité (Fig. H)



**AVERTISSEMENT :** *utilisez toujours la chaîne de sécurité.*



**AVERTISSEMENT :** *n'attachez jamais la chaîne de sécurité par la poignée de transport.*

Faites passer la chaîne de sécurité fournie **26** par l'ouverture de la chaîne de sécurité **28** de l'appareil et autour de la pièce de travail, puis fixez-la en place.

## Insérer et retirer un accessoire (Fig. G)

Le porte-outil accepte les fraises annulaires dotées d'un cambrion Weldon de 3/4 po à deux méplats.



**ATTENTION :** *risque de lacération. Les dents de la fraise sont tranchantes.*

1. Faites glisser la goupille pilote **42** dans le trou situé au centre du cambrion de l'outil de coupe.
2. Poussez vers le haut le mandrin à changement rapide Weldon de 3/4 po **10**.
3. Insérez la fraise **43** avec la goupille pilote et tournez jusqu'à ce que le méplat rencontre la goupille de verrouillage. Lorsque le méplat rencontre la goupille de verrouillage, le collet s'abaisse.
4. Vérifiez que la fraise est bien maintenue dans le mandrin.
5. Soulevez le mandrin à changement rapide Weldon de 3/4 po pour libérer fraise.

## Mandrin à trois mâchoires (Fig. G)

Un mandrin à 3 mâchoires **11** peut être installé pour s'adapter à la perceuse à colonne pour différentes tailles de mèches. Consultez la section **Insérer et retirer un accessoire** pour les instructions d'installation.

1. Placez la clé du mandrin **27** dans chacun des trois trous et serrez-la dans le sens des aiguilles d'une montre. Il est important de serrez le mandrin avec les trois trous pour prévenir le glissement.
2. Pour libérer la mèche, tournez la clé de mandrin dans le sens contraire des aiguilles d'une montre dans un trou seulement, puis desserrez le mandrin à la main.

**REMARQUE :** Il peut être nécessaire d'ajuster la position du moteur lorsque le mandrin est installé. Veuillez consulter la section **Ajuster la hauteur du moteur** pour obtenir des instructions.

Consultez la section **Accessoires** pour plus d'informations sur les accessoires appropriés.

## Lever d'engagement de l'aimant (Fig. N)

La puissance magnétique peut être modifiée à l'aide du levier d'engagement de l'aimant **2**.


En déplaçant le levier d'engagement de l'aimant vers la position centrale, on augmente la puissance magnétique de 15 %. Cette fonction permet d'aider l'utilisateur à fixer l'appareil en place.

En déplaçant le levier d'engagement de l'aimant vers la position gauche, on augmente la puissance de l'aimant à 100 %.

Lorsque le levier d'engagement de l'aimant est positionné à droite, la puissance magnétique est désactivée. Lorsque vous déplacez la poignée de gauche à droite, le collet (37) de la poignée doit être soulevé pour sortir de la position 100 % engagée ou 15 % engagée.


**REMARQUE :** L'appareil ne s'allume pas tant que le levier d'engagement de l'aimant n'est pas en position gauche à 100 %.


## Sélecteur d'engrenage (Fig. L)



 **ATTENTION :** ne changez pas d'engrenage lorsque le moteur est en marche.

La machine est équipée d'un sélecteur à deux engrenages pour faire varier le rapport vitesse/couple.

1. Appuyez sur le bouton de sélection d'engrenages (32) et tournez la molette de sélection d'engrenages (5) dans le mode souhaité.

2. **FAIBLE VITESSE ET COUPLE ÉLEVÉ :**  Tournez le sélecteur d'engrenages vers la gauche pour obtenir une faible vitesse et un couple élevé.

**VITESSE ÉLEVÉE ET COUPLE FAIBLE :**  Tournez le sélecteur d'engrenages vers la droite pour obtenir une vitesse élevée et un couple faible.

	1	2	3	4	5
	250	370	500	660	810
	130	190	260	340	420

## Sélection de la vitesse (Fig. A)

L'outil comporte cinq réglages de vitesse pour une plus grande polyvalence.

- Pour sélectionner un régime plus élevé, tournez le sélecteur de vitesse (4) vers un chiffre plus élevé.
- Pour sélectionner un réglage de vitesse inférieur, tournez le sélecteur de vitesse vers un chiffre inférieur.

Si l'outil ne change pas de vitesses, assurez-vous que le sélecteur de vitesses est entièrement engagé en position avant ou arrière.

Consultez le tableau **Vitesse (tr/min) et réglages de la fraise (avec DCB609G)** à la fin de cette section pour connaître les recommandations en matière de vitesse et de taille de fraise.

## Bouton Avancer/Reculer (Fig. M)

Un bouton de commande avancer/reculer (3) détermine le sens de rotation des mèches.

**REMARQUE :** La fonction de recul de cet outil est utilisée pour le taraudage des trous de vis. La vitesse de recul sera de 350 tr/min en vitesse lente et de 680 tr/min en vitesse rapide, quelle que soit la vitesse variable.

**Pour sélectionner la rotation vers l'avant,** relâchez l'interrupteur Marche/Arrêt (1) et placez le bouton de commande Avancer/Reculer vers l'icône d'avance (40).

**Pour sélectionner le recul,** déplacez le bouton de commande Avancer/Reculer vers l'icône de recul (41).


## Ajuster la hauteur du moteur (Fig. I)

La hauteur du moteur peut être réglée pour s'adapter à la nécessité d'un dégagement plus ou moins important de la mèche sur la pièce de travail.

- Desserrez le levier coulissant du moteur (12).
- Positionnez le moteur à la hauteur souhaitée.
- Serrez fermement le levier coulissant du moteur pour le maintenir en position.

**REMARQUE :** Il y a trois vis de réglage (38) le long du côté du cadre qui peuvent être serrées ou desserrées pour ajuster la facilité avec laquelle le boîtier du moteur se déplace avec la poignée d'alimentation (6).

## FONCTIONNEMENT

 **AVERTISSEMENT :** afin de réduire le risque de blessure corporelle grave, éteignez l'outil et retirez le bloc-piles avant de transporter, d'effectuer tout ajustement, de nettoyer, de réparer ou de retirer/installer des pièces ou des accessoires. Un démarrage accidentel peut causer des blessures.


## Poignée de transport (Fig. J)

Cette poignée de transport a deux fonctions :

- Transporter l'outil lorsqu'il est en position verticale.
- Protéger le bloc-piles de la chute dans sa position repliée pour l'utilisation de l'outil à l'envers.

## Intaller et retirer le bloc-piles (Fig. J, K)

 **AVERTISSEMENT :** assurez-vous que l'outil/appareil est en position d'arrêt avant d'insérer le bloc-piles.

 **AVERTISSEMENT :** gardez le liquide de coupe à l'écart du bloc-piles. Le contact avec le liquide de coupe peut provoquer la fissuration du boîtier du bloc-piles. Si le bloc-piles entre en contact avec du liquide de coupe, nettoyez-le immédiatement.


**REMARQUE :** Il est fortement recommandé d'utiliser des blocs-piles avec des boîtiers résistants à l'huile (nylon rempli de verre, désigné par un suffixe G dans le numéro de modèle). Pour de meilleurs résultats, assurez-vous que le bloc-piles est entièrement chargé.

Pour installer le bloc-piles (29) dans le port pour piles (31), appuyez et maintenez enfoncé le bouton de libération de la poignée de transport (23) et mettez la poignée de transport (22) en position verticale. Alignez le bloc-piles sur les glissières situées à l'intérieur du port pour piles et faites-le glisser jusqu'à ce qu'il soit bien en place dans l'outil et assurez-vous qu'il ne se désengage pas.

Pour retirer le bloc-piles de l'outil, appuyez sur le bouton de libération de la poignée de transport (23) et maintenez-le enfoncé, puis placez la poignée de transport (22) en position verticale. Appuyez sur le bouton de libération (30) et tirez fermement le bloc-piles hors du port. Insérez-le dans le chargeur comme indiqué dans la section du chargeur du présent manuel.

**REMARQUE :** Si le bloc-piles est toujours difficile à retirer avec la poignée en position verticale, maintenez enfoncé le bouton de libération de la poignée et poussez la poignée un peu plus loin vers l'avant de l'outil afin de créer plus d'espace pour le retrait du bloc-piles.

## Avant l'utilisation


 **AVERTISSEMENT :** inspectez la chaîne avant chaque utilisation, pour vérifier qu'elle n'est pas usée ou endommagée. Remplacez-la si nécessaire.

Essayez de réaliser quelques projets simples en utilisant des chutes de matériaux jusqu'à ce que vous ayez une bonne impression de la machine.

## Mettre en marche et éteindre (Fig. A)

Pour un fonctionnement correct, la machine doit être mise sous tension en suivant la procédure décrite ci-dessous.

### Mettre la machine sous tension et hors tension

 **AVERTISSEMENT :** dans une application verticale ou à l'envers, l'outil se détachera de la pièce si le levier d'engagement de l'aimant n'est **PAS** à la position 100 %.

Poussez l'interrupteur vers le haut (I) pour faire fonctionner l'outil. Poussez l'interrupteur **I** vers le haut (II) pour faire fonctionner l'outil.

**REMARQUE :** L'outil ne fonctionnera pas si l'aimant n'est pas engagé à 100 %. Un voyant orange s'allume pour indiquer que l'aimant n'est pas complètement engagé.

Appuyez sur l'interrupteur vers le bas (O) pour arrêter l'outil.

## Voyant DEL de basse tension et système E-Clutch<sup>MC</sup> (Fig. A)


La DCD1623 est munie d'un système E-Clutch<sup>MC</sup> de DEWALT. Cette fonction détecte le mouvement de l'outil et éteint l'outil au besoin. Le voyant E-Clutch<sup>®</sup> **24** s'allume en rouge pour indiquer l'état.

La DEL de travail située à l'avant de la base magnétique **20** clignote pour alerter l'utilisateur en cas de basse tension.

VOYANT	DIAGNOSTIC	SOLUTION
ÉTEINT	L'outil fonctionne normalement	Suivez tous les avertissements et toutes les instructions lorsque vous utilisez l'outil.
ROUGE CONTINU	Le système E-Clutch <sup>MC</sup> a été activé (ENCLENCHÉ)	Avec l'outil bien soutenu, relâchez la gâchette. L'outil fonctionnera normalement lorsque vous appuyez à nouveau sur la gâchette et que le voyant s'éteint
ORANGE CONTINU	Le levier d'engagement de l'aimant n'est pas en position 100 % lorsque l'appareil est sous tension.	Placez le levier d'engagement de l'aimant en position 100 %.
BLANC CLIGNOTANT	État de la pile à basse tension	Suspendez l'utilisation de l'outil et remplacez par une pile entièrement chargée.

## Percer avec des fraises annulaires

1. Les fraises annulaires ne coupent le matériau qu'à la périphérie du trou, au lieu de convertir l'ensemble du trou en copeaux. Par conséquent, l'énergie nécessaire pour réaliser un trou est plus faible que pour une fraise hélicoïdale.
2. Lors du perçage avec une fraise annulaire, il n'est pas nécessaire de percer un trou pilote.

 **ATTENTION :** ne touchez pas le dispositif de coupe ou les pièces proches du dispositif de coupe immédiatement après l'opération, car ils peuvent être extrêmement chauds et provoquer des brûlures de la peau. Assurez-vous que personne ne se trouve dans la zone de travail où le noyau métallique est éjecté.

## Conditions de perçage

La facilité avec laquelle le matériau peut être percé dépend de plusieurs facteurs, dont la résistance à la traction et à l'abrasion. La dureté et/ou la résistance est le critère habituel, de grandes variations dans la capacité de la machine peuvent exister parmi les matériaux présentant des propriétés physiques similaires. Les conditions de perçage dépendent des exigences en matière de durée de vie de l'outil et de finition de la surface. Ces conditions sont en outre limitées par la rigidité de l'outil et de la pièce, la lubrification et la puissance disponible de la machine. Plus le matériau est dur, plus la vitesse de coupe est faible. Certains matériaux de faible dureté contiennent des substances abrasives entraînant une usure rapide de l'arête de coupe à des vitesses élevées. Les vitesses de coupe dépendent de la rigidité de la configuration, du volume de matériau à enlever, de la finition de la surface et de la puissance disponible de la machine.

## Percer un trou (Fig. A)

1. Appliquez toujours un liquide de coupe/liquide de refroidissement approprié sur la zone de coupe.
2. Abaissez la protection **10** de manière à ce qu'elle fasse écran à la surface à percer.
3. Assurez-vous que la pointe de la fraise ou le pilote de la fraise est correctement installé sur l'endroit à percer.
4. Poussez l'interrupteur **I** vers le haut (II) pour faire fonctionner l'outil.
5. Introduisez lentement l'accessoire dans la pièce à l'aide de la poignée d'alimentation **6**.
6. Au début de la coupe, appliquez une légère pression pour permettre à l'accessoire d'effectuer la rainure initiale.
7. Continuez à appliquer une pression suffisante pour obtenir une coupe progressive et régulière. Ne forcez pas.
8. Faites très attention lorsque l'accessoire est sur le point de percer la surface pour éviter les éclats.
9. Éteignez toujours le moteur, l'aimant et l'alimentation, dans cet ordre précis, lorsque le travail est terminé et avant de retirer le bloc-piles.

## ENTRETIEN

**⚠** **AVERTISSEMENT** : afin de réduire le risque de blessure corporelle, éteignez l'appareil et retirez le bloc-piles avant d'effectuer tout ajustement ou de retirer/installer des pièces ou des accessoires. Un déclenchement accidentel du démarrage peut causer des blessures.

Votre outil électrique DEWALT a été conçu pour fonctionner longtemps avec un minimum de entretien. Le fonctionnement continu et satisfaisant de l'outil dépendra d'une entretien adéquate et d'un nettoyage régulier.

### Puce Tool Connect<sup>MD</sup> (Fig. O)

#### Accessoire optionnel

**⚠** **AVERTISSEMENT** : afin de réduire de blessure corporelle grave, éteignez l'appareil retirez le bloc-piles avant d'effectuer tout ajustement et de retirer/installer des pièces ou des accessoires. Un démarrage accidentel peut causer des blessures.

Votre outil est compatible à la puce Tool Connect<sup>MD</sup> et il a un emplacement pour l'installation de la puce Tool Connect<sup>MD</sup>. Cette puce Tool Connect<sup>MD</sup> est une application optionnelle pour votre appareil intelligent (comme un téléphone intelligent ou une tablette) qui connecte l'appareil afin d'utiliser l'application mobile pour des fonctions de gestion de l'inventaire.

Consultez la **Feuille d'instructions de la puce Tool Connect<sup>TM</sup>** pour plus de renseignements.

#### Installer la puce Tool Connect<sup>MD</sup>

1. Retirez la vis de retenue **34** qui maintient le couvercle de protection de la puce Tool Connect<sup>TM</sup> **36** dans l'outil.
2. Retirez le couvercle de protection et insérez la puce Tool Connect<sup>MD</sup> dans la poche vide **35**.
3. Assurez-vous que la puce Tool Connect<sup>MD</sup> est à fleur du boîtier. Fixez-la avec les vis de retenue et serrez les vis.
4. Consultez la **Feuille d'instructions de la puce Tool Connect<sup>MD</sup>** pour des instructions supplémentaires.

## Nettoyage

**⚠** **AVERTISSEMENT** : soufflez la saleté et la poussière de tous les événements avec de l'air sec et propre au moins une fois par semaine. Afin de minimiser le risque de blessure aux yeux, portez toujours une protection oculaire ANSI Z87.1 lorsque vous effectuez cette procédure.

**⚠** **AVERTISSEMENT** : ne jamais utiliser de solvant ou d'autres produits chimiques forts pour le nettoyage des pièces non métalliques de l'outil. Ces produits chimiques peuvent affaiblir les matériaux plastiques des pièces. Utilisez un linge trempé seulement dans de l'eau et du savon doux. Ne jamais laisser de liquide entrer à l'intérieur de l'outil, ne jamais immerger toute partie de l'outil dans un liquide.

## Accessoires

**⚠** **AVERTISSEMENT** : les accessoires autres que DEWALT n'ayant pas été testés avec ce produit, leur utilisation avec cet outil peut s'avérer dangereuse. Pour réduire le

risque de blessure, seuls les accessoires recommandés par DEWALT doivent être utilisés avec ce produit.

Les accessoires recommandés pour utilisation avec cet outil sont disponibles à un coût supplémentaire chez votre détaillant local ou dans un centre de services autorisé. Si vous avez besoin d'aide pour localiser un accessoire, contactez DEWALT appelez au **1-800-4-DEWALT (1-800-433-9258)** ou consultez notre site web : [www.dewalt.com](http://www.dewalt.com).

## Réparations

Le chargeur et le bloc-piles ne sont pas réparables. Le chargeur ou le bloc-piles ne comportent aucune pièce réparables.

**⚠** **AVERTISSEMENT** : pour assurer la SÉCURITÉ et la FIABILITÉ du produit, les réparations, l'entretien et les réglages doivent être réalisés (cela comprend l'inspection et le remplacement du balai, le cas échéant) par un centre de réparation en usine DEWALT ou un centre de réparation agréé DEWALT. Toujours utiliser des pièces de rechange identiques.

## Enregistrez-vous en ligne

Nous vous remercions de votre achat. Enregistrez votre produit maintenant pour :

- **SERVICE DE GARANTIE** : L'enregistrement de votre produit en ligne vous aide à obtenir un service de garantie efficace au cas où vous auriez un problème avec votre produit.
- **CONFIRMATION DE PROPRIÉTÉ** : En cas de pertes liées aux assurances telles qu'un incendie, une inondation ou un vol, votre enregistrement de propriété servira de preuve de votre achat.
- **POUR VOTRE SÉCURITÉ** : L'enregistrement de votre produit nous permet de vous contacter dans le cas peu probable d'une notification de sécurité requise selon le Federal Consumer Safety Act.
- Inscrivez-vous en ligne sur [www.dewalt.com](http://www.dewalt.com).

## Garantie limitée de trois ans

Pour les conditions de la garantie, allez à <https://www.dewalt.com/Legal/Warranty/3-Year-Limited-Warranty>.

Pour demander une copie écrite des conditions de la garantie, contactez : le service à la clientèle au DEWALT Industrial Tool Co., 701 East Joppa Road, Towson, MD 21286 ou appelez au 1-800-4-DEWALT (1-800-433-9258).

**AMÉRIQUE LATINE** : cette garantie ne s'applique aux produits vendus en Amérique latine. Pour ceux-ci, veuillez consulter les informations relatives à la garantie spécifique présente dans l'emballage, appeler l'entreprise locale ou consulter le site Web pour les informations relatives à cette garantie.

### REMPLACEMENT GRATUIT DES ÉTIQUETTES

**D'AVERTISSEMENT** : si les étiquettes d'avertissement deviennent illisibles ou sont manquantes, composer le 1-800-4-DEWALT (1-800-433-9258) pour en obtenir le remplacement gratuit.

## Vitesse (tr/min) et réglages de la fraise (avec DCB609G)

Taille de fraise	Acier doux	Plaque de fer
9/16 po-5/8 po	600-1000 tr/min	800-1200 tr/min
	Engrenage élevé, vitesses 3-5	Engrenage élevé, vitesses 3-5
11/16 po-13/16 po	480-800 tr/min	640-960 tr/min
	Engrenage élevé, vitesses 3-5	Engrenage élevé, vitesses 3-5
13/16 po-15/16 po	400-660 tr/min	530-800 tr/min
	Engrenage élevé, vitesses 3-4	Engrenage élevé, vitesses 3-5
1 po-1-3/16 po	320-530 tr/min	420-640 tr/min
	Engrenage faible, vitesses 4-5	Engrenage élevé, vitesses 3-4
1-1/4 po-1-3/8 po	270-460 tr/min	360-550 tr/min
	Engrenage faible, vitesses 4-5	Engrenage faible, vitesses 4-5
1-7/16 po-1-9/16 po	230-400 tr/min	320-480 tr/min
	Engrenage faible, vitesses 3-4	Engrenage faible, vitesses 4-5
1-5/8 po-1-3/4 po	210-320 tr/min	280-420 tr/min
	Engrenage faible, vitesses 3-4	Engrenage faible, vitesses 3-5
1-13/16 po-2 po	190-320 tr/min	260-380 tr/min
	Engrenage faible, vitesses 2-3	Engrenage faible, vitesses 3-4
Pour un diamètre de 1-1/2 po ou une épaisseur supérieure à 1 po et plus, utilisez un bloc-piles de 9 Ah.		



**ADVERTENCIA:** Lea todas las advertencias de seguridad e instrucciones. El incumplimiento de las advertencias e instrucciones puede provocar descargas eléctricas, incendios o lesiones graves.



**ADVERTENCIA:** Para reducir el riesgo de lesiones, lea el manual de instrucciones.

## Uso Pretendido

Esta prensa de taladro de servicio pesado está diseñada para aplicaciones de perforación profesionales.

**NO** use bajo condiciones húmedas o en presencia de líquidos o gases inflamables.

Esta prensa de perforación es una herramienta eléctrica profesional. **NO** permita que niños estén en contacto con la herramienta. Se requiere supervisión cuando operadores sin experiencia operen esta herramienta.

## Definiciones: Símbolos y Palabras de

### Alerta de Seguridad

Las siguientes definiciones describen el nivel de gravedad de cada palabra de advertencia. Lea el manual de la herramienta eléctrica y preste atención a estos símbolos.



**PELIGRO:** Indica una situación de peligro inminente que, si no se evita, provocará la muerte o lesiones graves.



**ADVERTENCIA:** Indica una situación de peligro potencial que, si no se evita, podría provocar la muerte o lesiones graves.



**ATENCIÓN:** Indica una situación de peligro potencial que, si no se evita, posiblemente provocará lesiones leves o moderadas.



(Utilizado sin palabras) indica un mensaje de seguridad relacionado.

**AVISO:** Se refiere a una práctica no relacionada a lesiones corporales que de no evitarse puede resultar en daños a la propiedad.

## ADVERTENCIAS GENERALES DE SEGURIDAD PARA HERRAMIENTAS ELÉCTRICAS



**ADVERTENCIA:** Lea todas las advertencias de seguridad, instrucciones, ilustraciones y especificaciones incluidas con esta herramienta eléctrica. La falla en seguir todas las instrucciones siguientes puede resultar en descarga eléctrica, incendio y/o lesiones serias.

## CONSERVE TODAS LAS ADVERTENCIAS E INSTRUCCIONES PARA FUTURAS CONSULTAS

El término "herramienta eléctrica" incluido en las advertencias hace referencia a las herramientas eléctricas operadas con corriente (con cable eléctrico) o a las herramientas eléctricas operadas con baterías (inalámbricas).

### 1) Seguridad en el Área de Trabajo

- Mantenga el área de trabajo limpia y bien iluminada.** Las áreas abarrotadas y oscuras propician accidentes.

- No opere las herramientas eléctricas en atmósferas explosivas, como ambientes donde haya polvo, gases o líquidos inflamables.** Las herramientas eléctricas originan chispas que pueden encender el polvo o los vapores.
- Mantenga alejados a los niños y a los espectadores de la herramienta eléctrica en funcionamiento.** Las distracciones pueden provocar la pérdida de control.

### 2) Seguridad Eléctrica

- Los enchufes de la herramienta eléctrica deben adaptarse al tomacorriente. Nunca modifique el enchufe de ninguna manera. No utilice ningún enchufe adaptador con herramientas eléctricas con conexión a tierra.** Los enchufes no modificados y que se adaptan a los tomacorrientes reducirán el riesgo de descarga eléctrica.
- Evite el contacto corporal con superficies con descargas a tierra como, por ejemplo, tuberías, radiadores, cocinas eléctricas y refrigeradores.** Existe mayor riesgo de descarga eléctrica si su cuerpo está puesto a tierra.
- No exponga las herramientas eléctricas a la lluvia o a condiciones de humedad.** Si entra agua a una herramienta eléctrica, aumentará el riesgo de descarga eléctrica.
- No maltrate el cable. Nunca utilice el cable para transportar, tirar o desenchufar la herramienta eléctrica. Mantenga el cable alejado del calor, el aceite, los bordes filosos y las piezas móviles.** Los cables dañados o enredados aumentan el riesgo de descarga eléctrica.
- Al operar una herramienta eléctrica en el exterior, utilice un cable prolongador adecuado para tal uso.** Utilice un cable adecuado para uso en exteriores a fin de reducir el riesgo de descarga eléctrica.
- Si el uso de una herramienta eléctrica en un lugar húmedo es imposible de evitar, utilice un suministro protegido con un interruptor de circuito por falla a tierra (GFCI).** El uso de un GFCI reduce el riesgo de descargas eléctricas.

### 3) Seguridad Personal

- Permanezca alerta, controle lo que está haciendo y utilice el sentido común cuando emplee una herramienta eléctrica. No utilice una herramienta eléctrica si está cansado o bajo el efecto de drogas, alcohol o medicamentos.** Un momento de descuido mientras se opera una herramienta eléctrica puede provocar lesiones personales graves.
- Utilice equipos de protección personal. Siempre utilice protección para los ojos.** En las condiciones adecuadas, el uso de equipos de protección, como máscaras para polvo, calzado de seguridad antideslizante, cascos o protección auditiva, reducirá las lesiones personales.
- Evite el encendido por accidente. Asegúrese de que el interruptor esté en la posición de**

**apagado antes de conectarlo a la fuente de energía o paquete de baterías, o antes de levantar o transportar la herramienta.** Transportar herramientas eléctricas con el dedo apoyado en el interruptor o enchufar herramientas eléctricas con el interruptor en la posición de encendido puede propiciar accidentes.

- d) **Retire la clavija de ajuste o la llave de tuercas antes de encender la herramienta eléctrica.** Una llave de tuercas o una clavija de ajuste que quede conectada a una pieza giratoria de la herramienta eléctrica puede provocar lesiones personales.
- e) **No se estire. Conserve el equilibrio y párese adecuadamente en todo momento.** Esto permite un mejor control de la herramienta eléctrica en situaciones inesperadas.
- f) **Use la vestimenta adecuada. No use ropas holgadas ni joyas. Mantenga el cabello, la ropa y los guantes alejados de las piezas en movimiento.** Las ropas holgadas, las joyas o el cabello largo pueden quedar atrapados en las piezas en movimiento.
- g) **Si se suministran dispositivos para la conexión de accesorios con fines de recolección y extracción de polvo, asegúrese de que estén conectados y que se utilicen correctamente.** El uso de dispositivos de recolección de polvo puede reducir los peligros relacionados con el polvo.
- h) **No permita que la familiaridad obtenida a partir del uso frecuente de herramientas le permitan volverse descuidado e ignorar los principios de seguridad de la herramienta.** Una acción descuidada puede causar lesiones severas en una fracción de segundo.

#### 4) Uso y Mantenimiento de la Herramienta Eléctrica

- a) **No fuerce la herramienta eléctrica. Utilice la herramienta eléctrica correcta para el trabajo que realizará.** Si se la utiliza a la velocidad para la que fue diseñada, la herramienta eléctrica correcta permite trabajar mejor y de manera más segura.
- b) **No utilice la herramienta eléctrica si no puede encenderla o apagarla con el interruptor.** Toda herramienta eléctrica que no pueda ser controlada mediante el interruptor es peligrosa y debe repararse.
- c) **Desconecte el enchufe de la fuente de alimentación y/o retire la batería, o paquete si es desmontable, de la herramienta eléctrica antes de realizar cualquier ajuste, cambiar accesorios o almacenar herramientas eléctricas.** Estas medidas de seguridad preventivas reducen el riesgo de encender la herramienta eléctrica en forma accidental.
- d) **Guarde la herramienta eléctrica que no esté en uso fuera del alcance de los niños y no permita que otras personas no familiarizadas con ella o con estas instrucciones operen la herramienta.** Las herramientas eléctricas son peligrosas si son operadas por usuarios no capacitados.

- e) **Dé mantenimiento a las herramientas eléctricas y accesorios. Revise que no haya piezas en movimiento mal alineadas o trabadas, piezas rotas o cualquier otra situación que pueda afectar el funcionamiento de la herramienta eléctrica. Si encuentra daños, haga reparar la herramienta eléctrica antes de utilizarla.** Se producen muchos accidentes a causa de las herramientas eléctricas que carecen de un mantenimiento adecuado.
- f) **Mantenga las herramientas de corte afiladas y limpias.** Las herramientas de corte con mantenimiento adecuado y con los bordes de corte afilados son menos propensas a trabarse y son más fáciles de controlar.
- g) **Utilice la herramienta eléctrica, los accesorios y las brocas de la herramienta, etc. de acuerdo con estas instrucciones y teniendo en cuenta las condiciones de trabajo y el trabajo que debe realizarse.** El uso de la herramienta eléctrica para operaciones diferentes de aquéllas para las que fue diseñada podría originar una situación peligrosa.
- h) **Mantenga las manijas y superficies de sujeción secas, limpias y libres de aceite y grasa.** Las manijas y superficies de sujeción resbalosas no permiten el manejo y control seguros de la herramienta en situaciones inesperadas.

#### 5) Uso y Mantenimiento de la Herramienta con Baterías

- a) **Recargue solamente con el cargador especificado por el fabricante.** Un cargador adecuado para un tipo de paquete de baterías puede originar riesgo de incendio si se utiliza con otro paquete de baterías.
- b) **Utilice herramientas eléctricas sólo con paquetes de baterías específicamente diseñados.** El uso de cualquier otro paquete de baterías puede producir riesgo de incendio y lesiones.
- c) **Cuando no utilice el paquete de baterías, manténgalo lejos de otros objetos metálicos como sujetapapeles, monedas, llaves, clavos, tornillos u otros objetos metálicos pequeños que puedan realizar una conexión desde un terminal al otro.** Los cortocircuitos en los terminales de la batería pueden provocar quemaduras o incendio.
- d) **En condiciones abusivas, el líquido puede ser expulsado de la batería. Evite su contacto. Si entra en contacto accidentalmente, enjuague con agua. Si el líquido entra en contacto con los ojos, busque atención médica.** El líquido expulsado de la batería puede provocar irritación o quemaduras.
- e) **No use un paquete de batería o herramienta que estén dañados o modificados.** Las baterías dañadas o modificadas pueden presentar un comportamiento impredecible que resulte en incendios, explosión o riesgo de lesiones.
- f) **No exponga un paquete de batería o una herramienta a fuego o temperatura excesiva.** La

exposición a fuego o temperaturas mayores a 130 °C (265 °F) pueden causar una explosión.”

- g) **Siga todas las instrucciones de carga y no cargue el paquete de batería o la herramienta fuera del rango de temperatura especificado en las instrucciones.** Cargar inadecuadamente o en una temperatura fuera del rango de temperatura especificado puede dañar la batería e incrementar el riesgo de incendio.

## 6) Mantenimiento

- a) **Solicite a una persona calificada en reparaciones que realice el mantenimiento de su herramienta eléctrica y que sólo utilice piezas de repuesto idénticas.** Esto garantizará la seguridad de la herramienta eléctrica.
- b) **Nunca dé servicio a paquetes de batería dañados.** El servicio de paquetes de batería sólo debe ser realizado por el fabricante o proveedores de servicio autorizados.

## Reglas de Seguridad Adicionales para Prensas de Taladro

- *Utilice siempre la cadena de seguridad. El montaje se puede liberar. Si la superficie de montaje no permite el uso de la cadena, asegure la unidad con otros medios, como una abrazadera. La energía eléctrica puede fallar o la unidad puede desconectarse accidentalmente.*
- **Use abrazaderas u otras maneras prácticas para asegurar y soportar la pieza de trabajo a una plataforma estable.** Sostener el trabajo a mano o contra su cuerpo lo hace inestable y puede guiar a la pérdida de control.
- *Mantenga los dedos bien alejados del área de perforación.*
- *La base magnética es adecuada para usarse en acero con un grosor de por lo menos 10 mm (3/8"), sin entrehierro visible entre la superficie inferior del imán y la superficie de montaje. Las capas de pintura y las irregularidades de la superficie crearán un entrehierro. Mantenga el entrehierro al mínimo. Los entrehierros entre el imán y la superficie de trabajo debilitan la fuerza de sujeción magnética.*
- *Coloque siempre la base del imán sobre una superficie plana o un tubo recto. No sujete la base sobre objetos pequeños o de forma irregular.*
- *Coloque siempre la base magnética sobre una superficie libre de recortes, astillas, virutas y suciedad superficial.*
- *Mantenga el imán limpio y libre de residuos y virutas.*
- *No encienda el motor hasta que el taladro se haya montado e instalado de acuerdo con las instrucciones.*
- *No encienda el motor antes de haber comprobado que la base magnética se ha apretado firmemente a la superficie de montaje.*
- *Antes de encender el motor, asegúrese que el accesorio se haya montado correctamente.*
- *Utilice siempre la velocidad recomendada para los accesorios y el material.*

- *No utilice la máquina en la misma pieza de trabajo en la que se utilizan soldadores eléctricos.*
- *Utilice únicamente un líquido de corte adecuado.*
- *No utilice fluidos de corte líquidos mientras taladra superficies verticales o por arriba de la cabeza. Sumerja el cortador en pasta de corte o aplicar un aerosol adecuado para estas aplicaciones.*
- *No vierta líquido de corte en el recipiente mientras está montado en el soporte. No permita que entre líquido de corte en el motor del taladro.*
- *Si la batería entra en contacto con líquido de corte, límpiela inmediatamente. El fluido de corte utilizado con este taladro puede comprometer ciertos alojamientos de paquetes de baterías. Se recomienda encarecidamente que se utilicen paquetes de baterías con alojamiento resistentes al aceite (nylon reforzado con fibra de vidrio, designado con un sufijo G en el número de modelo).*
- *Siempre use la protección contra virutas mientras taladre.*



### **PRECAUCIÓN: Imán extremadamente potente.**

Manténgase alejado de marcapasos, desfibriladores, equipo médico, computadoras, discos de computadora, cintas de cassette, módulos de control del motor, etc.



### **ATENCIÓN: No utilice la palanca de conexión del imán ni la manija de alimentación para levantar la unidad.**



Después de apagar el imán, la base magnética continuará adhiriéndose a la superficie por un momento antes de soltarse. Un ligero golpe con la mano soltará la base.

## Información de Seguridad Adicional



**ADVERTENCIA:** Nunca modifique la herramienta eléctrica o ninguna parte de ella. Podría resultar en daño o lesiones personales.



**ADVERTENCIA: SIEMPRE** use gafas de seguridad. Las gafas de uso diario NO son gafas de seguridad. También use una careta o máscara de polvo si la operación de corte produce polvo. SIEMPRE USE EQUIPO DE SEGURIDAD CERTIFICADO:

- Protección para los ojos ANSI Z87.1 (CAN/CSA Z94.3),
- Protección auditiva ANSI S12.6 (S3.19),
- Protección respiratoria NIOSH/OSHA/MSHA.



**ADVERTENCIA:** Algún polvo creado por lijado, aserrado, pulido, perforación eléctricos y otras actividades de construcción contienen químicos conocidos por el Estado de California como causantes de cáncer, defectos de nacimiento u otros daños reproductivos. Algunos ejemplos de estos químicos son:

- plomo a partir de pinturas a base de plomo,
- sílice cristalino de ladrillos y cemento y otros productos de mampostería, y
- arsénico y cromo a partir de madera tratada químicamente.

Su riesgo a partir de estas exposiciones varía, dependiendo de qué tan a menudo realice este tipo de trabajo. Para reducir su exposición a estos químicos:








trabaje en un área bien ventilada, y trabaje con equipo de seguridad aprobado, tal como máscaras de polvo que estén diseñadas específicamente para filtrar partículas microscópicas.

- **Use ropa de protección y lave las áreas expuestas con agua y jabón.** Permitir que el polvo entre en su boca, ojos, o que quede sobre la piel puede promover la absorción de químicos peligrosos. Dirija las partículas lejos de la cara y el cuerpo.
- **Use la aspiradora de extracción de polvo adecuada para retirar la mayoría de polvo estático y transportado por aire.** La falla en retirar el polvo estático y transportado por aire podría contaminar el ambiente de trabajo y presentar un riesgo de salud mayor al operador y personas en las cercanías.
- **Use abrazaderas u otras maneras prácticas para asegurar y soportar la pieza de trabajo a una plataforma estable.** Sostener el trabajo a mano o contra su cuerpo es inestable y puede guiar a la pérdida de control y lesiones.
- **Las ventilas de aire a menudo cubren las partes móviles y se deben evitar.** La ropa suelta, joyería, o cabello largo podrían quedar atrapados en las partes móviles.

**⚠ ADVERTENCIA:** Cuando no esté en uso, coloque la herramienta donde no cause un peligro de tropiezo o caída.

La etiqueta en su herramienta puede incluir los siguientes símbolos. Los símbolos y sus definiciones son los siguientes:

V	volts	n <sub>0</sub>	velocidad sin carga
Hz	hertz	n	velocidad nominal
min	minutos	PSI	libras por pulgada cuadrada
	o DC		terminal de tierra
	corriente directa		símbolo de alerta de seguridad
	Construcción Clase I (conectada a tierra)		radiación visible no mirar directamente a la luz
.../min	por minuto		use protección respiratoria
BPM	golpes por minuto		use protección para los ojos
IPM	impactos por minuto		use protección auditiva
OPM	oscilaciones por minuto		lea toda la documentación
RPM	revoluciones por minuto		no exponga a la lluvia
sfp <sub>m</sub>	pies de superficie por minuto		Imán potente.
SPM	carreras por minuto		Las personas con marcapasos cardíacos u otros implantes médicos deben mantenerse alejadas de este taladro.
A	ampéres		
W	watts		
Wh	Watt Horas		
Ah	amperios hora		
	o AC		
	o CA/CD		
	Construcción Clase II (aislamiento doble)		

## BATERÍAS Y CARGADORES

El paquete de batería no está completamente cargado cuando se retira del cartón. Antes de usar la batería y el cargador, lea las siguientes instrucciones de seguridad y luego siga los procedimientos de carga descritos. Cuando solicite paquetes de baterías de repuesto, asegúrese de incluir el número de catálogo y el voltaje.

### LEA TODAS LAS INSTRUCCIONES

### Instrucciones de Seguridad Importantes para Todos los Paquetes de Batería

- **⚠ ADVERTENCIA:** Lea todas las advertencias de seguridad, instrucciones y marcas de precaución para el paquete de la batería, el cargador y el producto. La falla en seguir las advertencias e instrucciones puede resultar en descarga eléctrica, incendio y/o lesiones serias.
- **No cargue o use el paquete de batería en atmósferas explosivas, como en la presencia de líquidos, gases o polvo inflamables.** Insertar o retirar el paquete de batería del cargador puede encender el polvo y los vapores.
- **NUNCA fuerce el paquete de batería dentro del cargador. NO modifique el paquete de batería en ninguna forma para instalarlo en un cargador no compatible ya que el paquete de batería se puede romper causando lesiones personales serias.** Consulte la tabla al final de este manual respecto a compatibilidad de las baterías y cargadores.
- **Cargue los paquetes de batería sólo en cargadores DEWALT.**
- **NO salpique ni sumerja en agua u otros líquidos.**
- **NO permita que agua o ningún otro líquido entre al paquete de batería.**
- **No almacene ni use la herramienta y el paquete de baterías en lugares donde la temperatura pueda alcanzar o exceder los 40 °C (104 °F) (como cobertizos exteriores o edificios de metal en verano).** Para obtener la mejor vida útil, guarde los paquetes de baterías en un lugar fresco y seco. **NOTA: No guarde los paquetes de baterías en una herramienta con el interruptor de gatillo bloqueado. Nunca sujete con cinta el interruptor de gatillo en la posición ON.**
- **No incinere el paquete de batería incluso si está dañado severamente o está completamente agotada.** El paquete de batería pueden explotar en el fuego. Se crean humos y materiales tóxicos cuando se queman los paquetes de baterías de ion de litio.
- **No exponga un paquete de batería o una herramienta a fuego o temperatura excesiva.** La exposición a fuego o temperaturas mayores a 130 °C (265 °F) pueden causar una explosión.
- **Siga todas las instrucciones de carga y no cargue el paquete de batería o el aparato fuera del rango de temperatura especificado en las instrucciones.** Cargar inadecuadamente o en una temperatura fuera del rango

especificado puede dañar la batería e incrementar el riesgo de incendio.

- **Si el contenido de la batería entra en contacto con la piel, lave de inmediato el área con jabón suave y agua.** Si el líquido de la batería entra en los ojos, enjuague con agua sobre el ojo abierto durante 15 minutos o hasta que desaparezca la irritación. Si se necesita atención médica, el electrolito de la batería está compuesto por una mezcla de carbonatos orgánicos líquidos y sales de litio.
- **El contenido de las celdas de batería abiertas puede causar irritación respiratoria.** Proporcione aire fresco. Si los síntomas persisten, busque atención médica.
- **El líquido de la batería puede ser inflamable si se expone a chispas o llamas.**
- **Nunca intente abrir el paquete de baterías por ninguna razón. Si la caja del paquete de baterías está agrietada o dañada, no la inserte en el cargador.** No aplaste, deje caer o dañe el paquete de la batería. No use un paquete de baterías o cargador que haya recibido un golpe fuerte, se haya dejado caer, se haya aplastado o dañado de cualquier manera (por ej., perforado con un clavo, golpeado con un martillo, o pisado). Los paquetes de batería dañados se deben regresar al centro de servicio para reciclaje.

## Recomendaciones de Almacenamiento

El mejor lugar de almacenamiento es aquel que es fresco y seco, alejado de la luz solar directa y del exceso de calor o frío. Guarde el paquete de batería completamente cargado fuera del cargador.

## Instrucciones de Limpieza de Paquete de Batería

La suciedad y grasa se pueden retirar del exterior de la paquette de batería con una tela o cepillo no metálico suave. No use agua o ninguna solución de limpieza.

## Paquetes de Baterías de Indicador de Combustible (Fig. B)

Algunos paquetes de batería incluyen un indicador de combustible. Cuando se presiona y sostiene el botón de indicador de combustible, las luces LED indicarán el nivel de carga aproximado restante. Éste no indica la funcionalidad de la herramienta y está sujeto a variación en base a los componentes del producto, la temperatura y la aplicación del usuario final.

## Transporte

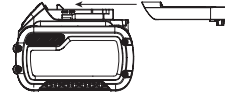


**ADVERTENCIA: Riesgo de Incendio.** No guarde, transporte, o lleve el paquete de batería de forma que objetos de metal puedan tener contacto con las terminales expuestas de la batería. Por ejemplo, no coloque la batería en delantales, bolsillos, cajas de herramientas, cajas de juego de productos, cajones, etc., con clavos sueltos, tornillos, llaves, monedas, herramientas manuales, etc. Al transportar paquetes de baterías individuales, asegúrese que las terminales de la batería estén protegidas y bien aisladas de

materiales que puedan entrar en contacto con ellas y causar un cortocircuito. **NOTA:** Los paquetes de batería de ion de litio no se deben colocar en equipaje de mano en aviones y se deben proteger adecuadamente contra corto circuito si están en el equipaje registrado.

## Envío de Paquete de Batería DeWALT FLEXVOLT™

El paquete de batería DeWALT FLEXVOLT™ tiene una tapa de batería que se debe usar cuando se envíe el paquete de batería.



Conecte la tapa al paquete de batería para alistarlo para envío. Esto convierte el paquete de batería en tres baterías de 20 V separadas. Las tres baterías tienen la clasificación Watt horas en el paquete de batería etiquetado "Envío". Si se envía sin la tapa o en una herramienta, el paquete es una batería en la clasificación de Watts hora indicada al lado de "Uso".

Ejemplo de etiqueta de paquete de batería:

**USO: 120 Wh Envío: 3 x 40 Wh**

En este ejemplo, el paquete de batería es tres baterías con 40 Watts hora cada una cuando se usa la tapa. De otra manera, el paquete de batería es de 120 Watts hora.

## El Sello RBRC®

Lleve sus paquetes de batería agotados a un centro de servicio autorizado DeWALT o a su minorista local para reciclarlas. En algunas áreas, es ilegal colocar paquetes de batería gastados en la basura. También puede comunicarse con su centro de reciclaje local para obtener información sobre dónde dejar el paquete de batería agotado. No las coloque en el reciclaje de la acera. *Para información adicional* visite [www.call2recycle.org](http://www.call2recycle.org).



O llame al número de larga distancia gratuito en el Sello RBRC®. RBRC® es una marca comercial registrada de Call 2 Recycle, Inc.

## Instrucciones de Seguridad Importantes para Todos los Cargadores de Batería



**ADVERTENCIA: Lea todas las advertencias de seguridad, instrucciones y marcas de precaución para el paquete de la batería, el cargador y el producto. La falla en seguir las advertencias e instrucciones puede resultar en descarga eléctrica, incendio y/o lesiones serias.**

- **NO intente cargar el paquete de batería con ningún cargador diferente a un cargador DEWALT.** Los cargadores y paquetes de batería DeWALT están diseñados específicamente para funcionar juntos.
- **Estos cargadores no están diseñados para usos diferentes a cargar paquetes de batería DEWALT recargables.** Cargar otros tipos de baterías puede causar que se sobrecalienten y exploten, resultando en lesiones personales, daño a la propiedad, incendio, descarga eléctrica o electrocución.

- **No exponga el cargador a la lluvia o la nieve.**
- **NO permita que agua o ningún otro líquido entre al cargador.**
- **Jale por el enchufe en lugar del cable cuando desconecte el cargador.** Esto reducirá el riesgo de daños al enchufe y cable eléctricos.
- **Asegúrese que el cable esté ubicado de forma que no se pueda pisar, provoque tropiezos, o de otra forma esté sujeto a daño o esfuerzo.**
- **No use un cable de extensión a menos que sea absolutamente necesario.** El uso de un cable de extensión inadecuado podría resultar en riesgo de incendio, descarga eléctrica o electrocución.
- **Cuando opere un cargador al aire libre, proporcione siempre un lugar seco y use un cable de extensión adecuado para uso en exteriores.** El uso de un cable adecuado para uso en exteriores reduce el riesgo de descarga eléctrica.
- **Un cable de extensión debe tener un tamaño de cable adecuado (AWG o American Wire Gauge) por seguridad.** Cuanto menor es el número de calibre del cable, el cable será más pesado y por lo tanto su capacidad. Un cable de tamaño inferior causará una caída en el voltaje en línea que resulta en una pérdida de energía y sobrecalentamiento. La siguiente tabla muestra el tamaño correcto a usar dependiendo de la longitud total de todos los cables de extensión juntos, y la clasificación de amperes de la placa de identificación. Si tiene duda, use el calibre más pesado siguiente.

**Calibre mínimo para juegos de cable**

Voltios		Longitud total de cable en pies (metros)			
120 V		25 (7,6)	50 (15,2)	100 (30,5)	150 (45,7)
Clasificación de amperes		American Wire Gauge			
Mayor a	No mayor a				
0	6	18	16	16	14
6	10	18	16	14	12
10	12	16	16	14	12
12	16	14	12	No recomendado	

- **No coloque ningún objeto encima del cargador ni coloque el cargador sobre una superficie blanda que pueda bloquear las ranuras de ventilación y provocar un calor interno excesivo.** Coloque el cargador en una posición lejos de cualquier fuente de calor. El cargador se ventila a través de ranuras en la parte superior e inferior del alojamiento.
- **No opere el cargador con un cable o enchufe dañado.** Solicite que los reemplacen de inmediato.
- **No opere el cargador si recibió un golpe fuerte, se dejó caer o se dañó de cualquier manera.** Llévelo a un centro de servicio autorizado.
- **No desensamble el cargador; llévelo a un centro de servicio autorizado cuando se requiera servicio o reparación.** El reensamble incorrecto puede resultar en un riesgo de descarga eléctrica, electrocución o incendio.

- **El cargador está diseñado para operar con corriente eléctrica doméstica estándar de 120 V. No intente usarlo en ningún otro voltaje.** Esto no aplica al cargador de vehículos.
- **Los materiales extraños de naturaleza conductiva tales como, pero sin limitarse a, polvo de pulido, rebabas de metal, lana de acero, papel aluminio, o cualquier acumulación de partículas metálicas se deben mantener alejados de las cavidades y ranuras de ventilación del cargador.**
- **Siempre desconecte el cargador del suministro de energía cuando no haya paquete de baterías en la cavidad.**

## Carga de la Batería (Fig. B, C)

1. Conecte el cargador en un tomacorriente apropiado.
2. Inserte y asiente completamente el paquete de batería. Las luces rojas parpadearán continuamente mientras carga.
3. La carga está completa cuando las luces de carga roja permanecen encendidas continuamente. El paquete de batería se puede dejar en el cargador o retirarse. Algunos cargadores requieren que se presione el botón de liberación del paquete de batería para retirarlo.



**ADVERTENCIA:** Sólo cargue baterías en temperatura ambiente mayor a 4,5 °C (40 °F) y menor a +40 °C (104 °F).

4. El cargador no cargará un paquete de batería defectuoso, lo que puede indicarse por las luces de carga que permanecen apagadas. Lleve el cargador y el paquete de batería a un centro de servicio autorizado si las luces permanecen apagadas.

**NOTA:** Consulte la etiqueta cerca de las luces de carga en el cargador respecto a los patrones de parpadeo. Los cargadores más viejos pueden tener información adicional y/o pueden no tener una luz indicadora amarilla.

**NOTA:** Para retirar el paquete de batería, algunos cargadores requieren que se presione el botón de liberación del paquete de batería.

## Demora de Paquete Caliente/Frío

Cuando el cargador detecta un paquete de batería que esté demasiado caliente o demasiado fría, comienza automáticamente una Demora de Paquete Caliente/Frío, suspendiendo la carga hasta que el paquete de batería alcance una temperatura apropiada. El cargador cambia automáticamente al modo de carga del paquete. Esta característica garantiza la vida máxima del paquete de batería. Un paquete de batería frío puede cargar a un ritmo más lento que un paquete de batería caliente.

La demora de paquete caliente/frío se indicará por la luz roja que continúan parpadeando pero con la luz amarilla encendida continuamente. Una vez que el paquete de batería alcance una temperatura adecuada, la luz amarilla se apagará y el cargador reanudará el procedimiento de carga.

## Cargadores DCB118 y DCB1112

Los cargadores DCB118 y DCB1112 están equipados con un ventilador interno diseñado para enfriar el paquete de

batería. El ventilador se encenderá automáticamente cuando el paquete de batería se necesite enfriar.

L'appareil s'arrêtera automatiquement dès que le système électronique de protection sera activé. Si c'était le cas, placez le bloc-piles au lithium-ion sur son chargeur jusqu'à ce qu'il soit complètement rechargé.

### Sistema de Protección Electrónica

Las herramientas de ion de litio están diseñadas con un Sistema de Protección Electrónica que protegerá el paquete de batería contra sobrecarga, sobrecalentamiento o descarga profunda. La herramienta se apagará automáticamente y el paquete de batería se necesitará volver a cargar.

### Notas Importantes de Carga

- Se puede obtener una mayor duración y un mejor rendimiento si la unidad de batería se carga a una temperatura ambiente de 18 °C – 24 °C (65 °F – 75 °F). NO cargue cuando el paquete de batería esté debajo de +4,5 °C (+40 °F), o arriba de +40 °C (+104 °F). Esto es importante y evitará causar daños graves a la batería.
- El cargador y el paquete de baterías pueden calentarse al tacto durante la carga. Esta es una condición normal y no indica un problema. Para facilitar el enfriamiento de la batería después de su uso, evite colocar el cargador o la batería en un ambiente cálido, como en un cobertizo de metal o un remolque sin aislamiento.
- Si la batería no se carga correctamente:
  - Verifique la operación del receptáculo conectando una lámpara u otro aparato;
  - Revise si el receptáculo está conectado a un interruptor de luz que apague la energía cuando apague las luces;
  - Si persisten los problemas de carga, lleve la herramienta, el paquete de batería y el cargador a su centro de servicio local.
- Puede cargar un paquete parcialmente usado cuando lo desee sin ningún efecto adverso en el paquete de baterías.

### Instrucciones de Limpieza de Cargador

**ADVERTENCIA:** Riesgo de descarga eléctrica. Desconecte el cargador del tomacorriente CA antes de limpiar. La suciedad y grasa se pueden retirar del exterior del cargador con una tela o cepillo no metálico suave. No use agua o ninguna solución de limpieza.

### Montaje en Pared

Algunos cargadores DEWALT están diseñados para montarse en pared o colocarse verticales sobre una mesa o superficie de trabajo. Si se monta en pared, localice el cargador dentro del alcance de un tomacorriente eléctrico, y lejos de una esquina u otras obstrucciones que puedan impedir el flujo de aire. Use la parte posterior del cargador como una plantilla para la ubicación de los tornillos de montaje en la pared. Instale el cargador firmemente con tornillos para Tablaroca (adquiridos por separado) por lo menos de 25,4 mm (1") de largo, con un diámetro de cabeza de tornillo de 7–9 mm (0,28–0,35"), atornillados en madera a una profundidad

óptima dejando aproximadamente 5,5 mm (7/32") de tornillo expuesto. Alinee las ranuras en la parte posterior del cargador con los tornillos expuestos y conéctelos completamente dentro de las ranuras.

## CONSERVE ESTAS INSTRUCCIONES PARA USO FUTURO

### ENSAMBLE Y AJUSTES

**ADVERTENCIA:** Para reducir el riesgo de lesiones personales severas, apague la unidad y retire el paquete de batería antes de realizar cualquier ajuste o retirar/instalar conexiones o accesorios. Un arranque accidental puede causar lesiones.

### Instalación de la Máquina (Fig. A, H)

- Ensamble la manija de alimentación.
- Instale la protección contra virutas.
- Instale el sistema de lubricación conforme sea necesario.
- Esta máquina tiene una base cóncava que permite instalarla sobre una superficie sólida o una tubería con un diámetro no inferior a 4" y un espesor no inferior a 3/8". Retire cualquier partícula que obstruya el contacto completo entre la base magnética **20** y la superficie de montaje.
- Instale y apriete la cadena de seguridad **26**.

### Ensamble de la Manija de Alimentación (Fig. D)

La manija de alimentación de liberación rápida se puede montar en una sola operación tanto a la izquierda como a la derecha de la máquina.

- Atornille las manijas **6** en el cubo **7**. Asegúrese que las manijas estén seguras.
- Mantenga presionado el botón de liberación del cubo **8** mientras inserta el eje del cubo en el orificio **33**.
- Libere el botón.

### Ensamble la Protección Contra Virutas (Fig. E)

**ADVERTENCIA:** Siempre use la protección contra virutas.

- Sostenga la protección contra virutas **25** frente al portaherramientas, alineando las ranuras de la protección contra virutas con los orificios de la máquina.
- Coloque las tuercas de mariposa **39** (de la bolsa de accesorios) en los orificios ubicados en la parte delantera del marco.

### Sistema de Lubricación (Fig. A, F)

#### Llenado de Botella de Refrigerante

**ADVERTENCIA:** No vierta líquido de corte en la botella mientras está montada en el soporte. No permita que entre líquido de corte en el motor del taladro. Puede producirse una descarga eléctrica.

**ADVERTENCIA:** No permita que el líquido de corte entre en el puerto de la batería o entre en contacto con el paquete de baterías.

**NOTA:** Si la batería entra en contacto con líquido de corte, límpiela inmediatamente. El fluido de corte utilizado con este taladro puede comprometer ciertos alojamientos de paquetes de baterías. Se recomienda encarecidamente que se utilicen paquetes de baterías con alojamiento resistentes al aceite (nylon reforzado con fibra de vidrio, designado con un sufijo G en el número de modelo).

**NOTA:** El sistema de lubricación está diseñado para dispensar fluidos de corte específicamente destinados a la perforación. Otros líquidos pueden dañar el sistema.

1. Gire el regulador de flujo **17** en sentido contrario a las manecillas del reloj para cerrar.
2. Retire la botella de refrigerante **14** del soporte magnético de la botella de refrigerante **13**.
3. Desenrosque la tapa **18**.
4. Llene el recipiente con refrigerante de corte diluido con agua.
5. Vuelva a enroscar la tapa.
6. Coloque la botella de refrigerante en el soporte magnético de la botella de refrigerante **13**.

## Colocación de Sistema de Lubricación

### (Fig. A, F)



**ADVERTENCIA:** No utilice el sistema de lubricación en superficies verticales o aplicaciones de perforación elevada.

Sólo use el sistema de lubricación para aplicaciones de perforación horizontal, como se muestra en la Figura A.

1. Coloque la botella de refrigerante **14** en el soporte magnético de la botella de refrigerante **13**, y después deslice el soporte magnético de la botella de refrigerante a ambos lados del punto de conexión de la botella magnética de refrigerante **21**.
  2. Conecte el tubo de refrigerante **15** al conector de acoplamiento **16** en la caja de cambios.
    - a. Desenrosque primero la tuerca **19** con la llave y coloque la tuerca a través del extremo del tubo de refrigerante **15**.
    - b. Presione el tubo de refrigerante en el conector de acoplamiento **16** primero, después use una llave para apretar la tuerca.
    - c. Para retirar, desenrosque la tuerca y luego tire del tubo de refrigerante del conector de acoplamiento.
- NOTA:** Después de retirar el tubo de refrigerante, apriete la tuerca en el conector de acoplamiento para evitar perderlo.

Para usar el sistema de lubricación, la botella de refrigerante **14** debe llenarse con una cantidad suficiente de líquido de corte.

## Lubricación en Aplicaciones

### Horizontales (Fig. F)

1. Ajuste el flujo de fluido conforme se requiera utilizando el regulador de flujo **17**.
2. Agregue más fluido de corte si las rebabas se vuelven azules.

## Lubricación en Aplicaciones Verticales y Elevadas

Sumerja el cortador en pasta de corte o aplicar un aerosol adecuado.

## Colocación de Cadena de Seguridad

### (Fig. H)



**ADVERTENCIA:** Utilice siempre la cadena de seguridad.



**ADVERTENCIA:** Nunca sujete la cadena de seguridad a través de la manija de transporte.

Pase la cadena de seguridad provista **26** a través de la abertura de la cadena de seguridad **28** de la unidad y alrededor de la pieza de trabajo y asegúrela en su lugar.

## Inserción y Desinstalación de Accesorios

### (Fig. G)

El portaherramientas acepta cortadores anulares con vástago Weldon de 3/4" con dos caras.



**ATENCIÓN: Peligro de laceración.** Los dientes del cortador son afilados.

1. Deslice el pasador piloto **42** a través del orificio en el centro del vástago del cortador.
2. Empuje hacia arriba el mandril de cambio rápido Weldon de 3/4" **10**.
3. Inserte el cortador **43** con el pasador piloto y gírelo hasta que la parte plana se encuentre con el pasador de seguridad. Cuando la parte plana se encuentre con el pasador de bloqueo, el collar se cerrará.
4. Verifique que el cortador esté bien sujeto en el eje.
5. Levante el mandril de cambio rápido Weldon de 3/4" para liberar el cortador.

## Mandril de Tres Mordazas (Fig. G)

Se puede instalar un mandril de 3 mordazas **11** para adaptarse a la prensa de taladro para varios tamaños de broca. Consulte **Inserción y extracción de un accesorio** para obtener instrucciones de instalación.

1. Coloque la llave del mandril **27** en cada uno de los tres orificios y apriete en el sentido de las manecillas del reloj. Es importante apretar el mandril con los tres orificios para evitar el deslizamiento.
2. Para liberar la broca, gire la llave del mandril en sentido contrario a las manecillas del reloj en sólo un orificio, y después afloje el mandril a mano.

**NOTA:** Puede ser necesario ajustar la posición del motor cuando se instala el mandril. Consulte **Ajuste de la altura del motor** para obtener instrucciones.

Consulte la sección **Accesorios** para obtener más información sobre los accesorios apropiados.

## Palanca de Conexión de Imán (Fig. N)

La fuerza magnética se puede cambiar utilizando la palanca de activación del imán **2**.

Mover la palanca de activación del imán hacia la posición media aumenta la potencia magnética a 15%. Ésta es una

función para brindar asistencia al usuario mientras asegura la unidad en su lugar.

Mover la palanca de conexión del imán a la posición izquierda aumenta la potencia del imán al 100%.


Con la palanca de conexión del imán colocada a la derecha, la energía magnética se apaga. Al mover la manija de izquierda a derecha, se debe levantar el collar **37** de la manija para salir de la conexión de 100% o 15%.

**NOTA:** La unidad no se encenderá hasta que la palanca de conexión del imán esté en la posición izquierda al 100%.



## Selector de Velocidad (Fig. L)

**⚠ ATENCIÓN:** No cambie velocidades cuando el motor esté operando.

La máquina está equipada con un selector de dos velocidades para variar la relación velocidad/par.

1. Presione el botón del selector de velocidad **32** y gire el selector de velocidad **5** al modo deseado.
2. **BAJA VELOCIDAD Y ALTO PAR:**  Gire el selector de velocidad hacia la izquierda para baja velocidad y alto par.

**ALTA VELOCIDAD Y BAJO PAR:**  Gire el selector de velocidad a la derecha para alta velocidad y bajo par.

	1	2	3	4	5
	250	370	500	660	810
	130	190	260	340	420

## Selección de Velocidad (Fig. A)

La herramienta presenta cinco ajustes de velocidad para mayor versatilidad.

1. Para seleccionar un ajuste de mayores RPM, gire el selector de velocidad **4** a un número mayor.
2. Para seleccionar un ajuste de menores RPM, gire el selector de velocidad a un número menor.

Si la herramienta no cambia velocidades, confirme que el interruptor de selección de velocidad esté conectado completamente en la posición delantera o trasera.

Consulte la tabla de **Ajustes de velocidad (RPM) y perforación (con DCB609G)** en la parte posterior de esta sección para obtener recomendaciones sobre la velocidad y el tamaño del cortador.

## Botón de Avance/Reversa (Fig. M)

Un botón de control de avance/reversa **3** determina la dirección de rotación de la broca.

**NOTA:** La función de reversa de esta herramienta se utiliza para roscar orificios para tornillos. La velocidad de reversa será de 350 rpm en marcha baja y de 680 rpm en marcha alta, independientemente de la velocidad variable.

**Para seleccionar la rotación hacia adelante,** suelte el interruptor de ENCENDIDO/APAGADO **1** y cambie el botón de control de avance/reversa hacia el icono de avance **40**.

**Para seleccionar la reversa,** cambie el botón de control de avance/reversa hacia el icono de reversa **41**.

## Ajuste de Altura del Motor (Fig. I)

La altura del motor se puede ajustar para adaptarse a la necesidad de una mayor o menor holgura de la broca sobre la pieza de trabajo.

1. Afloje la palanca deslizante del motor **12**.
2. Coloque el motor a la altura deseada.
3. Apriete firmemente la palanca deslizante del motor para asegurar el motor en su posición.

**NOTA:** Hay tres tornillos de fijación **38** a lo largo del costado del marco que se pueden apretar o aflojar para ajustar la facilidad con la que se mueve el alojamiento del motor con la manija de alimentación **6**.

## OPERACIÓN

**⚠ ADVERTENCIA:** Para reducir el riesgo de lesiones personales severas, apague la unidad y retire el paquete de batería antes de realizar cualquier ajuste o retirar/instalar conexiones o accesorios. Un arranque accidental puede causar lesiones.

## Manija de Transporte (Fig. J)

Este manija de transporte tiene dos funciones:

- Transportar la herramienta cuando esté en posición vertical.
- Proteger la batería para que no se caiga en su posición plegada para la aplicación de la herramienta al revés.

## Instalación y Desinstalación de Paquete de Batería (Fig. J, K)

**⚠ ADVERTENCIA:** Asegúrese que la herramienta/aparato esté en la posición apagada antes de insertar el paquete de la batería.

**⚠ ADVERTENCIA:** Mantenga el líquido de corte alejado del paquete de baterías. El contacto con el fluido de corte puede hacer que el alojamiento de la batería se agriete. Si la batería entra en contacto con líquido de corte, límpiela inmediatamente.

**NOTA:** Se recomienda encarecidamente que se utilicen paquetes de baterías con alojamiento resistentes al aceite (nylon reforzado con fibra de vidrio, designado con un sufijo G en el número de modelo). Para mejores resultados, asegúrese que su paquete de batería esté completamente cargado.

Para instalar el paquete de batería **29** en el puerto de la batería **31**, mantenga presionado el botón de liberación de la manija de transporte **23** y mueva la manija de transporte **22** a la posición vertical. Alinee el paquete de baterías con los rieles dentro del puerto de la batería y deslícelo hasta que el paquete de baterías esté firmemente asentado en la herramienta y asegúrese que no se desconecte.

Para retirar el paquete de baterías de la herramienta, mantenga presionado el botón de liberación de la manija de transporte **23** y mueva la manija de transporte **22** a la posición vertical. Presione el botón de liberación **30** y extraiga con firmeza la batería del puerto de la batería. Insértelo en el cargador como se describe en la sección de cargador de este manual.

**NOTA:** Si sigue siendo difícil extraer la batería con la manija de transporte en posición vertical, mantenga presionado el botón de liberación de la manija de transporte y empuje la manija de transporte un poco más hacia la parte delantera de la herramienta para crear más espacio para retirar la batería.

## Antes de la Operación



**ADVERTENCIA:** Revise la cadena antes de cada uso para ver si está desgastada o dañada. Reemplácese si es necesario.

Pruebe algunos proyectos simples utilizando material de desecho hasta que desarrolle una "sensación" de la máquina.

## Encendido y Apagado (Fig. A)

Para que funcione correctamente, la máquina debe cambiarse siguiendo el procedimiento que se describe a continuación.

### Encendido y Apagado



**ADVERTENCIA:** En una aplicación vertical o al revés, la herramienta se caerá de la pieza de trabajo si la palanca de conexión del imán **NO** está en la posición del 100 %.

Empuje el interruptor de encendido **1** hacia arriba (**I**) para operar la herramienta.

**NOTA:** La herramienta no funcionará a menos que el imán esté conectado al 100%. Se iluminará una luz naranja que indica que el imán no está completamente conectado.

Presione el interruptor hacia abajo (**O**) para apagar la herramienta.

## Sistema E-Clutch® y LED de Indicador de Bajo Voltaje (Fig. A)

El DCD1623 está equipado con el sistema E-Clutch® de DeWALT. Esta función detecta el movimiento de la herramienta y la apaga si es necesario. El indicador E-Clutch® **24** se iluminará en rojo para indicar el estado.

El LED de operación en el frente de la base magnética **20** parpadeará para alertar al usuario de las condiciones de bajo voltaje.

INDICADOR	DIAGNÓSTICO	SOLUCIÓN
APAGADO	La herramienta está funcionando normalmente	Siga todas las advertencias e instrucciones al operar la herramienta.
ROJO SÓLIDO	El sistema E-Clutch® se ha activado (CONECTADO)	Con la herramienta correctamente apoyada, libere el gatillo. La herramienta funcionará normalmente cuando se presione nuevamente el gatillo y se apague la luz indicadora.
NARANJA SÓLIDO	La palanca de conexión del imán no está en la posición del 100% con el interruptor de energía encendido.	Mueva la palanca de conexión del imán a la posición de 100%.
PARPADEO	Condiciones de batería de bajo voltaje	Suspenda el uso de la herramienta y reemplácese con una batería completamente cargada.

## Perforación con Cortadores Anulares

1. Los cortadores anulares sólo cortan material en la periferia del orificio, en lugar de convertir todo el orificio en virutas. Como resultado, la energía requerida para hacer un orificio es menor que para un taladro helicoidal.
2. Al perforar con un cortador anular, no es necesario perforar un orificio piloto.



**ATENCIÓN:** No toque el cortador o las partes cercanas al cortador inmediatamente después de la operación, ya que pueden estar extremadamente calientes y causar quemaduras en la piel. Asegúrese que no haya nadie en el área de trabajo donde se expulsa el núcleo de metal.

## Condiciones de Perforación

La facilidad con la que se puede perforar el material depende de varios factores, incluyendo la resistencia a la tracción y la resistencia a la abrasión. La dureza y/o la resistencia es el criterio habitual, pueden existir amplias variaciones en la capacidad de la máquina entre materiales que muestran propiedades físicas similares. Las condiciones de perforación dependen de los requisitos de vida útil de la herramienta y acabado de superficie. Estas condiciones están aún más restringidas por la rigidez de la herramienta y la pieza de trabajo, la lubricación y la potencia disponible de la máquina. Mientras más duro es el material, menor es la velocidad de corte. Algunos materiales de baja dureza contienen sustancias abrasivas que provocan un rápido desgaste del filo de corte a altas velocidades. Las velocidades de alimentación se rigen por la rigidez de la configuración, el volumen de material que se eliminará, el acabado de la superficie y la potencia disponible de la máquina.

## Perforación de un Orificio (Fig. A)

1. Siempre aplique un líquido de corte/refrigerante apropiado en el área de corte.
2. Baje la protección **10** para que cubra la superficie a perforar.
3. Asegúrese que la punta de perforación o el piloto de corte estén correctamente instalados sobre el lugar a perforar.
4. Empuje el interruptor de encendido **1** hacia arriba (**I**) para hacer funcionar la herramienta.
5. Introduzca lentamente el accesorio en la pieza de trabajo con la manija de alimentación **6**.
6. Al comienzo del corte, aplique una ligera presión para permitir que el accesorio realice la ranura inicial.
7. Continúe aplicando suficiente presión para lograr un corte suave y progresivo. No la fuerce.
8. Tenga mucho cuidado cuando el accesorio esté a punto de atravesar la superficie para evitar que se astille.
9. Apague siempre el motor, el imán y la alimentación, en ese orden en particular, cuando termine el trabajo y antes de retirar la batería.

## MANTENIMIENTO

**⚠️ ADVERTENCIA:** Para reducir el riesgo de lesiones personales severas, apague la unidad y retire el paquete de batería antes de realizar cualquier ajuste o retirar/instalar conexiones o accesorios. Un arranque accidental puede causar lesiones.

Su herramienta DeWALT ha sido diseñada para funcionar durante un largo período con un mínimo de mantenimiento. Un funcionamiento continuo satisfactorio depende del cuidado adecuado de la herramienta y de una limpieza periódica.

### Chip Tool Connect™ (Fig. O)

#### Accesorio opcional

**⚠️ ADVERTENCIA:** Para reducir el riesgo de lesiones personales serias, apague la unidad y retire el paquete de batería antes de realizar cualquier ajuste o retirar/instalar conexiones o accesorios. Un arranque accidental puede causar lesiones.

Su herramienta está lista para Chip Tool Connect™ y tiene una ubicación para instalación de un Chip Tool Connect™. El Chip Tool Connect™ es una aplicación opcional para su dispositivo inteligente (como un teléfono inteligente o tableta) que conecta el dispositivo para utilizar la aplicación móvil para funciones de administración de inventario. Consulte la Hoja de instrucciones del **Tool Connect™ Chip** para información adicional.

#### Instalación de Chip Tool Connect™

1. Retire los tornillos de retención **34** que sostienen la cubierta de protección del Chip Tool Connect™ **36** en la herramienta.
2. Retire la cubierta de protección e inserte el Chip Tool Connect™ en la cavidad vacía **35**.
3. Asegúrese que el Chip Tool Connect™ esté al ras con el alojamiento. Asegúrelo con los tornillos de retención y apriete los tornillos.
4. Consulte la Hoja de Instrucciones de **Chip Tool Connect™** para instrucciones adicionales.

## Limpieza

**⚠️ ADVERTENCIA:** Sople la suciedad y polvo de todas las ventilas de aire con aire limpio y seco por lo menos una vez a la semana. Para minimizar el riesgo de lesiones de los ojos, siempre use protección para los ojos aprobada por ANSI Z87.1 cuando realice este procedimiento.

**⚠️ ADVERTENCIA:** Nunca use solventes u otros químicos fuertes para limpiar las partes no metálicas de la herramienta. Estos químicos pueden debilitar los materiales plásticos usados en estas partes. Use una tela humedecida únicamente con agua y jabón suave. Nunca permita que entre líquido a la herramienta; nunca sumerja ninguna parte de la herramienta en líquido.

## Accesorios

**⚠️ ADVERTENCIA:** Ya que los accesorios, diferentes a los ofrecidos por DeWALT, no han sido probados con este producto, el uso de tales accesorios con esta herramienta podría ser peligroso. Para reducir el riesgo de lesiones, sólo se deben usar accesorios recomendados por DeWALT con este producto.

Los accesorios recomendados para uso con su herramienta están disponibles por un costo adicional a partir de su distribuidor local o centro de servicio autorizado. Si necesita asistencia para localizar cualquier accesorio, póngase en contacto con DeWALT llame al **1-800-4-DeWALT (1-800-433-9258)** o visite nuestro sitio web: [www.dewalt.com](http://www.dewalt.com).

## Reparaciones

El Cargador y las unidades de batería no pueden ser reparados. El cargador y la unidad de batería no contienen piezas reparables.

**⚠️ ADVERTENCIA:** Para asegurar la SEGURIDAD y la CONFIABILIDAD del producto, las reparaciones, el mantenimiento y los ajustes (inclusive la inspección y el cambio de las escobillas, cuando proceda) deben ser realizados en un centro de mantenimiento en la fábrica DeWALT/DeWALT u en un centro de mantenimiento autorizado DeWALT/DeWALT. Utilice siempre piezas de repuesto idénticas.

### Para reparación y servicio de sus herramientas eléctricas, favor de dirigirse al Centro de Servicio más cercano

#### CULIACAN, SIN

Bld. Emiliano Zapata 5400-1 Poniente Col. (667) 717 89 99  
San Rafael

#### GUADALAJARA, JAL

Av. La Paz #1779 - Col. Americana Sector (33) 3825 6978  
Juárez

#### MEXICO, D.F.

Eje Central Lázaro Cárdenas No. 18 - Local (55) 5588 9377  
D, Col. Obrera

#### MERIDA, YUC

Calle 63 #459-A - Col. Centro (999) 928 5038

#### MONTERREY, N.L.

Av. Francisco I. Madero 831 Poniente - Col. (818) 375 23 13  
Centro

#### PUEBLA, PUE

17 Norte #205 - Col. Centro (222) 246 3714

#### QUERETARO, QRO

Av. San Roque 274 - Col. San Gregorio (442) 2 17 63 14

#### SAN LUIS POTOSI, SLP

Av. Universidad 1525 - Col. San Luis (444) 814 2383

#### TORREON, COAH

Bld. Independencia, 96 Pte. - Col. Centro (871) 716 5265



**VERACRUZ, VER**

Prolongación Díaz Mirón #4280 - Col. Remes (229) 921 7016

**VILLAHERMOSA, TAB**

Constitución 516-A - Col. Centro (993) 312 5111

**PARA OTRAS LOCALIDADES:**

Si se encuentra en México, por favor llame al (55) 5326 7100

Si se encuentra en U.S., por favor llame al 1-800-4-DeWALT (1-800-433-9258) o visite nuestro sitio web: [www.dewalt.com](http://www.dewalt.com)

**Póliza de Garantía**

## IDENTIFICACIÓN DEL PRODUCTO:

Sello o firma del Distribuidor.

Nombre del producto: \_\_\_\_\_

Mod./Cat.: \_\_\_\_\_

Marca: \_\_\_\_\_

Núm. de serie: \_\_\_\_\_

(Datos para ser llenados por el distribuidor)

Fecha de compra y/o entrega del producto:

Nombre y domicilio del distribuidor donde se adquirió el producto:

Este producto está garantizado por un año a partir de la fecha de entrega, contra cualquier defecto en su funcionamiento, así como en materiales y mano de obra empleados para su fabricación. Nuestra garantía incluye la reparación o reposición del producto y/o componentes sin cargo alguno para el cliente, incluyendo mano de obra, así como los gastos de transportación razonablemente erogados derivados del cumplimiento de este certificado.

Para hacer efectiva esta garantía deberá presentar su herramienta y esta póliza sellada por el establecimiento comercial donde se adquirió el producto, de no contar con ésta, bastará la factura de compra.

**Excepciones**

Esta garantía no será válida en los siguientes casos:

- Cuando el producto se hubiese utilizado en condiciones distintas a las normales;
- Cuando el producto no hubiese sido operado de acuerdo con el instructivo de uso que se acompaña;
- Cuando el producto hubiese sido alterado o reparado por personas distintas a las enlistadas al final de este certificado.

Anexo encontrará una relación de sucursales de servicio de fábrica, centros de servicio autorizados y franquiciados en la República Mexicana, donde podrá hacer efectiva su garantía y adquirir partes, refacciones y accesorios originales.

Solamente para propósito de México:

Importado por: DeWALT S.A de C.V.

Antonio Dovali Jaime #70 Torre C Piso 8

Col. Santa Fe Alvaro Obregón,

Ciudad de Mexico, Mexico.

C.P.01210

TEL (52) 55 53267100 R.F.C.BDE8106261W7

**Registro en Línea**

Gracias por su compra. Registre su producto ahora para:

- **SERVICIO EN GARANTÍA:** Si completa esta tarjeta, podrá obtener un servicio en garantía más eficiente, en caso de que exista un problema con su producto.
- **CONFIRMACIÓN DE PROPIEDAD:** En caso de una pérdida que cubra el seguro, como un incendio, una inundación o un robo, el registro de propiedad servirá como comprobante de compra.
- **PARA SU SEGURIDAD:** Si registra el producto, podremos comunicarnos con usted en el caso improbable que se deba enviar una notificación de seguridad conforme a la Federal Consumer Safety Act (Ley Federal de Seguridad de Productos para el Consumidor).
- Registro en línea en [www.dewalt.com](http://www.dewalt.com).

**Garantía Limitada de Tres Años**

Para los términos de garantía, visite <https://www.dewalt.com/Legal/Warranty/3-Year-Limited-Warranty>.

Para solicitar una copia escrita de los términos de garantía, póngase en contacto con: Servicio al Cliente en DeWALT Industrial Tool Co., 701 East Joppa Road, Towson, MD 21286 o llame al 1-800-4-DeWALT (1-800-433-9258).

**AMÉRICA LATINA:** Esta garantía no se aplica a los productos que se venden en América Latina. Para los productos que se venden en América Latina, debe consultar la información de la garantía específica del país que viene en el empaque, llamar a la compañía local o visitar el sitio Web a fin de obtener esa información.

**REEMPLAZO GRATUITO DE LAS ETIQUETAS DE**

**ADVERTENCIAS:** Si sus etiquetas de advertencia se vuelven ilegibles o faltan, llame al 1-800-4-DeWALT (1-800-433-9258) para que se le reemplacen gratuitamente.

**ESPECIFICACIONES**

DCD1623	20 V Máx*
---------	-----------

## Ajustes de velocidad (RPM) y perforación (con DCB609G)

Tamaño de cortador	Acero suave	Placa de hierro
9/16"–5/8"	600–1000 RPM	800–1200 RPM
	Alta velocidad, velocidad 3–5	Alta velocidad, velocidad 3–5
11/16"–13/16"	480–800 RPM	640–960 RPM
	Alta velocidad, velocidad 3–5	Alta velocidad, velocidad 3–5
13/16"–15/16"	400–660 RPM	530–800 RPM
	Alta velocidad, velocidad 3–4	Alta velocidad, velocidad 3–5
1"–1-3/16"	320–530 RPM	420–640 RPM
	Baja velocidad, velocidad 4–5	Alta velocidad, velocidad 3–4
1-1/4"–1-3/8"	270–460 RPM	360–550 RPM
	Baja velocidad, velocidad 4–5	Baja velocidad, velocidad 4–5
1-7/16"–1-9/16"	230–400 RPM	320–480 RPM
	Baja velocidad, velocidad 3–4	Baja velocidad, velocidad 4–5
1-5/8"–1-3/4"	210–320 RPM	280–420 RPM
	Baja velocidad, velocidad 3–4	Baja velocidad, velocidad 3–5
1-13/16"–2"	190–320 RPM	260–380 RPM
	Baja velocidad, velocidad 2–3	Baja velocidad, velocidad 3–4
Para diámetro de 1-1/2" o más grueso que 1" y mayor use un paquete 9Ah.		



**Compatible battery packs and chargers / Blocs-piles et chargeurs compatibles /  
Baterías y cargadores compatibles**

<b>20V Max* Li-Ion</b>	Battery Packs Blocos-piles Baterías	DCB205G
	Chargers Chargeurs Cargadores	DCB103, DCB104, DCB107, DCB112, DCB113, DCB115, DCB118, DCB132, DCB1102, DCB1104, DCB1106, DCB1112

<b>60V Max* Li-Ion</b>	Battery Packs Blocos-piles Baterías	DCB609G
	Chargers Chargeurs Cargadores	DCB103, DCB104, DCB107, DCB112, DCB113, DCB115, DCB118, DCB1322, DCB1102, DCB1104, DCB1106, DCB1112

*\* Maximum initial battery voltage (measured without a workload) is 20, 60 or 120 volts. Nominal voltage is 18, 54 or 108. (120V Max\* is based on using 2 DeWALT 60V Max\* lithium-ion batteries combined.)*

*\* La tension initiale maximum du bloc-piles (mesurée à vide) est de 20, 60 ou 120 volts. La tension nominale est de 18, 54 ou 108. (120 V max\* se base sur l'utilisation combinée de 2 blocs-piles au lithium ion DeWALT de 60 V max\*).*

*\* El máximo voltaje inicial de la batería (medido sin carga de trabajo) es 20 o 60 voltios. El voltaje nominal es de 18, 54 o 108 V. (120 V Máx\* se basan en el uso de 2 baterías de iones de litio DeWALT de 60 V Máx\* combinadas.)*



**WARNING:** Use of any other battery packs may create a risk of injury and fire.



**AVERTISSEMENT :** utiliser d'autres blocs-piles peut créer un risque de blessure ou d'incendie.



**ADVERTENCIA:** El uso de cualquier otro paquete de batería puede crear un riesgo de lesiones e incendio.

DeWALT Industrial Tool Co. 701 East Joppa Road, Towson, MD 21286  
Copyright © 2022

The following are trademarks for one or more DeWALT power tools: the yellow and black color scheme, the "D" shaped air intake grill, the array of pyramids on the handgrip, the kit box configuration, and the array of lozenge-shaped humps on the surface of the tool.