

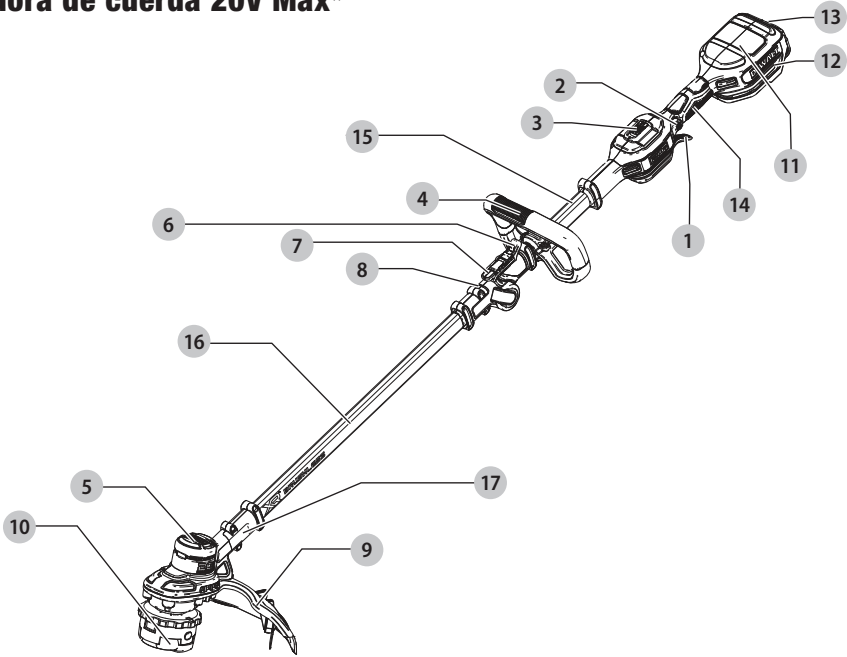
DCST922

20V Max* String Trimmer

Taille-bordure 20V max*

Podadora de cuerda 20V Máx*

Fig. A




- 1 Variable speed trigger
- 2 Lock-off button
- 3 Speed control switch
- 4 Auxiliary handle
- 5 Motor housing
- 6 Locking lever
- 7 Pole latch
- 8 Pole clasp
- 9 Guard
- 10 Spool housing
- 11 Battery housing
- 12 Battery pack
- 13 Battery release button
- 14 Handle
- 15 Upper pole
- 16 Lower pole
- 17 Lower pole clamp

- 1 Gâchette de vitesse variable
- 2 Bouton de verrouillage
- 3 Bouton de réglage de la vitesse
- 4 Poignée auxiliaire
- 5 Boîtier du moteur
- 6 Levier de verrouillage
- 7 Verrou de la tige
- 8 Fermeoir de la tige
- 9 Protecteur
- 10 Boîtier de la bobine
- 11 Boîtier de la pile
- 12 Bloc-piles
- 13 Bouton de libération du bloc-piles
- 14 Poignée
- 15 Tige supérieure
- 16 Tige inférieure
- 17 Collier de pôle inférieur

- 1 Gatillo de velocidad variable
- 2 Botón de bloqueo de apagado
- 3 Interruptor de control de velocidad
- 4 Manija auxiliar
- 5 Alojamiento de motor
- 6 Palanca de bloqueo
- 7 Seguro de poste
- 8 Agarradera de poste
- 9 Protección
- 10 Alojamiento de carrete
- 11 Alojamiento de batería
- 12 Paquete de batería
- 13 Botón de liberación de batería
- 14 Manija
- 15 Poste superior
- 16 Poste inferior
- 17 Abrazadera de poste inferior

If you have questions or comments, contact us.
Pour toute question ou tout commentaire, nous contacter.
Si tiene dudas o comentarios, contáctenos.


www.DEWALT.com
1-800-4-DEWALT

 **WARNING:** Read all safety warnings, instructions, illustrations, and specifications in this manual, including the battery and charger sections provided in an original tool manual or the separate Batteries and Chargers manual. Manuals can be obtained by contacting Customer Service as described elsewhere in this manual. Failure to follow the warnings and instructions may result in electric shock, fire and/or serious injury.


Definitions: Safety Alert Symbols and Words

This instruction manual uses the following safety alert symbols and words to alert you to hazardous situations and your risk of personal injury or property damage.


 **DANGER:** Indicates an imminently hazardous situation which, if not avoided, will result in death or serious injury.

 **WARNING:** Indicates a potentially hazardous situation which, if not avoided, could result in death or serious injury.

 **CAUTION:** Indicates a potentially hazardous situation which, if not avoided, may result in minor or moderate injury.

 (Used without word) Indicates a safety related message.

NOTICE: Indicates a practice not related to personal injury which, if not avoided, may result in property damage.

 **AVERTISSEMENT:** lire tous les avertissements de sécurité, les instructions, les illustrations et les caractéristiques de ce manuel, y compris les sections sur les piles et les chargeurs fournies dans un manuel d'origine de l'outil ou dans le manuel séparé sur les piles et les chargeurs. Les manuels peuvent être obtenus en contactant le service à la clientèle comme indiqué ailleurs dans ce manuel. Le fait de ne pas suivre les avertissements et les instructions peut entraîner un choc électrique, un incendie et/ou des blessures graves.

Définitions : symboles et termes d'alarmes sécurité

Ces guides d'utilisation utilisent les symboles et termes d'alarmes sécurité suivants pour vous prévenir de situations dangereuses et de risques de dommages corporels ou matériels.

 **DANGER :** indique une situation dangereuse imminente qui, si elle n'est pas évitée, entraînera la mort ou des blessures graves.

 **AVERTISSEMENT :** indique une situation potentiellement dangereuse qui, si elle n'est pas évitée, pourrait entraîner la mort ou des blessures graves.

 **ATTENTION :** indique une situation potentiellement dangereuse qui, si elle n'est pas évitée, pourrait entraîner des blessures légères ou modérées.

 (Si utilisé sans aucun terme) Indique un message propre à la sécurité.

AVIS : indique une pratique ne posant aucun risque de dommages corporels mais qui par contre, si rien n'est fait pour l'éviter, pourrait poser des risques de dommages matériels.


 **ADVERTENCIA:** Lea todas las advertencias de seguridad, instrucciones, ilustraciones y especificaciones de este manual, incluyendo las secciones sobre la batería y el cargador proporcionadas en un manual original de la herramienta o en el manual de Baterías y Cargadores por separado. Los manuales se pueden obtener poniéndose en contacto con el Servicio de atención al cliente como se describe en otra parte de este manual. La falla en seguir las advertencias e instrucciones puede resultar en descarga eléctrica, incendio y/o lesiones serias.


Definiciones: Símbolos y Palabras de Alerta de Seguridad

Este manual de instrucciones utiliza los siguientes símbolos y palabras de alerta de seguridad para alertarle de situaciones peligrosas y del riesgo de lesiones corporales o daños materiales.

 **PELIGRO:** Indica una situación de peligro inminente que, si no se evita, provocará la muerte o lesiones graves.

 **ADVERTENCIA:** Indica una situación de peligro potencial que, si no se evita, podría provocar la muerte o lesiones graves.

 **ATENCIÓN:** Indica una situación de peligro potencial que, si no se evita, posiblemente provocaría lesiones leves o moderadas.

 (Utilizado sin palabras) indica un mensaje de seguridad relacionado.

AVISO: Se refiere a una práctica no relacionada a lesiones corporales que de no evitarse puede resultar en daños a la propiedad.

English (original instructions)

5

Français (traduction de la notice d'instructions originale)

10

Español (traducido de las instrucciones originales)

15

Fig. B

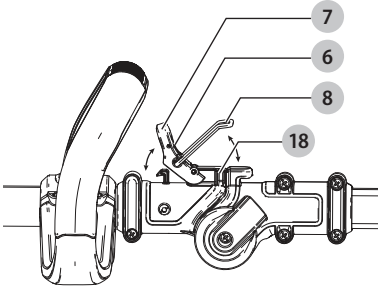


Fig. C

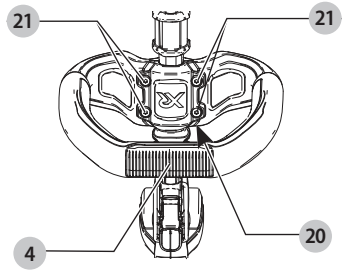


Fig. D

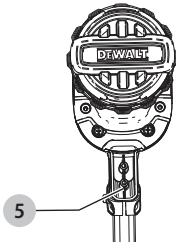


Fig. E

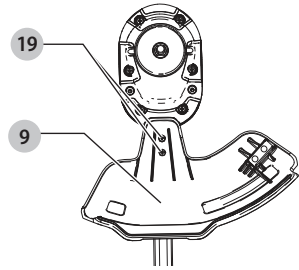


Fig. F

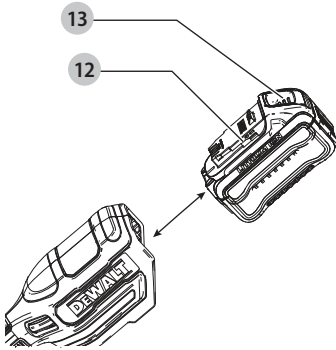


Fig. G

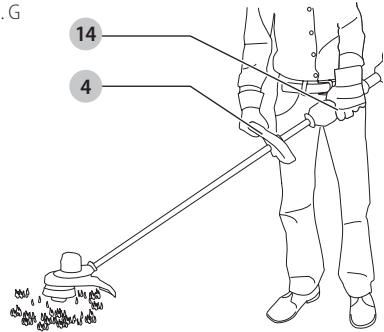


Fig. H

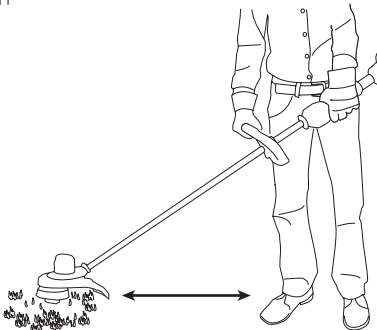


Fig. I

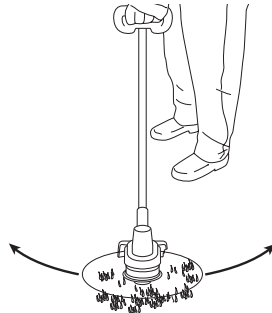


Fig. J

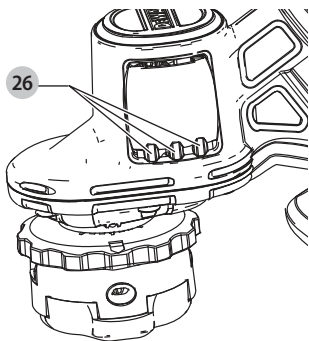


Fig. K

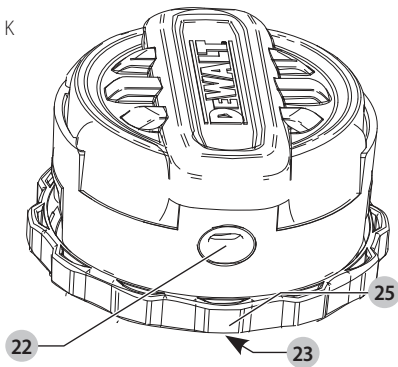


Fig. L

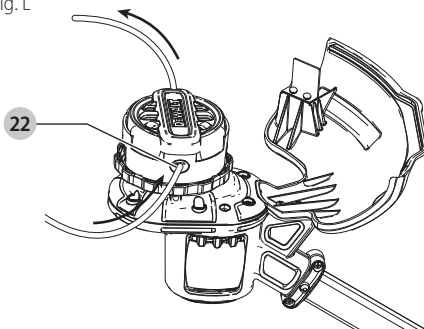


Fig. M

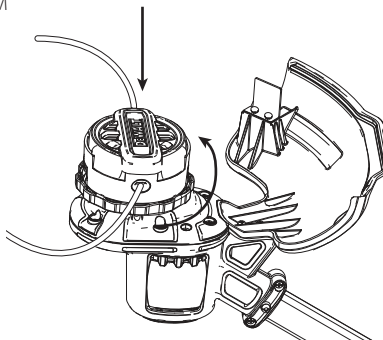


Fig. N

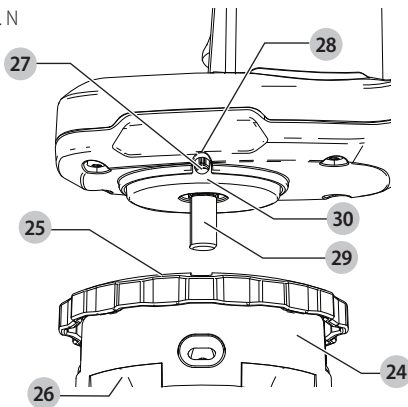


Fig. O

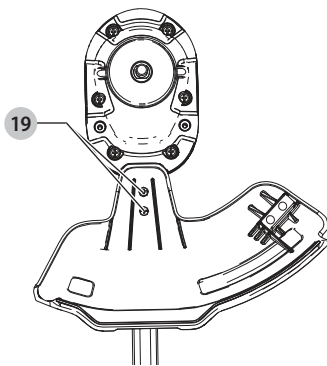
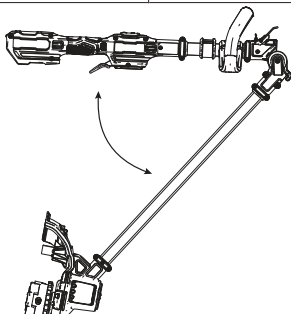


Fig. P



Intended Use

This string trimmer is designed for professional trimming applications. This product is not an edger and is not intended to be used for edging.

DO NOT use under wet conditions or in presence of flammable liquids or gases.

DO NOT let children come into contact with the tool. Supervision is required when inexperienced operators use this tool.

IMPORTANT SAFETY INSTRUCTIONS

⚠ WARNING: To reduce risk of injury:

- Before any use, be sure everyone using this unit reads and understands all safety instructions and other information contained in this manual.
- Save these instructions and review frequently.

⚠ WARNING: When using electric gardening appliances, basic safety precautions should always be followed to reduce risk of fire, electric shock, and personal injury, including the following.

1. **Avoid Dangerous Environment** – Don't use appliances in damp or wet locations.
2. **Don't Use In Rain.**
3. **Keep Children Away** – All visitors should be kept at a distance from work area.
4. **Dress Properly** – Do not wear loose clothing or jewelry. They can be caught in moving parts. Use of rubber gloves and substantial footwear is recommended when working outdoors. Wear protective hair covering to contain long hair.
5. **Use Safety Glasses** – Always use face or dust mask if operation is dusty.
6. **Use Right Appliance** – Do not use appliance for any job except that for which it is intended.
7. **Don't grasp the exposed cutting blades or cutting edges when picking up or holding the appliance.**
8. **Don't Force Appliance** – It will do the job better and with less likelihood of a risk of injury at the rate for which it was designed.
9. **Don't Overreach** – Keep proper footing and balance at all times.
10. **Stay Alert** – Watch what you are doing. Use common sense. Do not operate appliance when you are tired.
11. **Disconnect Appliance** – Remove the battery when not in use, before servicing, when changing accessories such as blades, and the like.
12. **Store Idle Appliances Indoors** – When not in use, appliances should be stored indoors in dry, and high or locked-up place – out of reach of children.
13. **Maintain Appliance With Care** – Keep cutting edge sharp and clean for best performance and to reduce the risk of injury. Follow instructions for lubricating and changing accessories. Inspect appliance power source periodically, and if damaged, have it repaired by an authorized service facility. Keep handles dry, clean, and free from oil and grease.
14. **Check Damaged Parts** – Before further use of the appliance, a guard or other part that is damaged should be carefully checked to determine that it will operate properly and perform its intended function. Check for alignment of moving parts, binding of moving parts, breakage of parts, mounting, and any other condition that may affect its operation. A guard or other part that is damaged should be

properly repaired or replaced by an authorized service center unless indicated elsewhere in this manual.

SAVE THESE INSTRUCTIONS

Important Safety Warnings

⚠ WARNING: To reduce the risk of rebound (ricochet) injury, work going away from any nearby solid object such as wall, steps, large stone, tree, etc.

- **GUARD** – Do not use this appliance without guard attached.
- **DRESS PROPERLY** – Do not wear loose clothing or jewelry. They can be caught in moving parts. Gloves and substantial rubber soled footwear are recommended when working outdoors. Don't operate the appliance when barefoot or wearing open sandals. Wear heavy long pants to protect your legs. Wear protective hair covering to contain long hair.
- **KEEP FACE, HANDS AND FEET CLEAR OF ROTATING NYLON LINE AT ALL TIMES.** The rotating line performs a cutting function. Use care when trimming around screens and desirable plantings.
- **KEEP ALL BYSTANDERS AWAY** – at a safe distance from work area, especially children. MAKE SURE that other persons and pets are at least 100' (30 m) away.
- **USE GREAT CARE** when working close to solid objects and where necessary, do trimming by hand.
- **AVOID ACCIDENTALLY STARTING** – Don't carry with finger on trigger when battery is installed.
- **DAMAGE TO UNIT** – If you strike or become entangled with a foreign object, stop appliance immediately, check for damage and have any damage repaired before further operation is attempted. Do not operate with a broken hub or spool.
- **DO NOT OPERATE** portable electric appliances in gaseous or explosive atmospheres. Motors in these appliances normally spark, and the sparks might ignite fumes.
- **STAY ALERT** – Do not operate this unit when you are tired, ill, or under the influence of alcohol, drugs, or medication.
- **DO NOT** immerse appliance in water or squirt it with a hose.
- **DO NOT** allow any liquid to get inside it. If appliance does get wet, allow to dry for a minimum of 48 hours.
- **DO NOT** clean with a pressure washer.
- **DO NOT** store the appliance on or adjacent to fertilizers or chemicals.
- **DO NOT** charge appliance in rain, or in wet locations.
- **TO REDUCE THE RISK OF INJURY**, do not operate the unit while folded. The unit must be fully extended and the pole clasp secured before the battery is inserted.
- **REMOVE BATTERY BEFORE FOLDING THE UNIT.** Fold unit completely until it locks in place.

⚠ CAUTION: Use only DEWALT replacement spools and line. Using any other manufacturer's line can reduce performance, damage the trimmer or cause personal injury.

Your trimmer uses 0.080 inches (2.0 mm) diameter line. Do not use other size lines. This can degrade performance, cause damage to the unit or injury.

⚠ WARNING: Do not use appliance if the switch trigger does not turn the appliance on or off. Any

appliance that cannot be controlled with the switch trigger is dangerous and must be repaired.

Additional Safety Information

⚠ WARNING: Never modify the power tool or any part of it. Damage or personal injury could result.

⚠ WARNING: ALWAYS use safety glasses. Everyday eyeglasses are NOT safety glasses. Also use face or dust mask if operation is dusty. ALWAYS WEAR CERTIFIED SAFETY EQUIPMENT:

- ANSI Z87.1 eye protection (CAN/CSA Z94.3),
- ANSI S12.6 (S3.19) hearing protection,
- NIOSH/OSHA/MSHA respiratory protection.

⚠ WARNING: Some dust contains chemicals known to State of California to cause cancer, birth defects or other reproductive harm. Some examples of these chemicals are:

- compounds in fertilizers,
 - compounds in insecticides, herbicides and pesticides,
 - arsenic and chromium from chemically treated lumber.
- To reduce your exposure to these chemicals, wear approved safety equipment such as dust masks that are specially designed to filter out microscopic particles.

⚠ WARNING: Use of this tool can generate and/or disperse dust, which may cause serious and permanent respiratory or other injury. Always use NIOSH/OSHA approved respiratory protection appropriate for the dust exposure. Direct particles away from face and body.

⚠ WARNING: Always wear proper personal hearing protection that conforms to ANSI S12.6 (S3.19) during use. Under some conditions and duration of use, noise from this product may contribute to hearing loss.

⚠ CAUTION: When not in use, place tool on its side on a stable surface where it will not cause a tripping or falling hazard. Some tools with a large battery pack will stand upright but may be easily knocked over.

• Air vents often cover moving parts and should be avoided. Loose clothes, jewelry or long hair can be caught in moving parts.

The label on your tool may include the following symbols. The symbols and their definitions are as follows:

V.....volts	OPM.....oscillations per minute
Hz.....hertz	A.....amperes
min.....minutes	W.....watts
— or DC.....direct current	~ or AC.....alternating current
Ⓜ.....Class I Construction (grounded)	⎓ or AC/DC.....alternating or direct current
.../min.....per minute	Ⓜ.....Class II Construction (double insulated)
BPM.....beats per minute	n ₀no load speed
IPM.....impacts per minute	n.....rated speed
RPM.....revolutions per minute	Ⓧ.....earthing terminal
sfpm.....surface feet per minute	⚠.....safety alert symbol
SPM.....strokes per minute	

⚠.....visible radiation	Ⓜ.....wear hearing protection
⚠.....avoid staring at light	📖.....read all documentation
Ⓜ.....wear respiratory protection	IPXX.....IP symbol
Ⓜ.....wear eye protection	

ASSEMBLY AND ADJUSTMENTS

⚠ WARNING: To reduce the risk of serious personal injury, turn unit off and remove the battery pack before making any adjustments or removing/installing attachments or accessories. An accidental start-up can cause injury.

Extending and Folding the Pole (Fig. A, B, P)

⚠ WARNING: To reduce the risk of injury, do not operate the unit while folded. The unit must be fully extended and the pole clasp secured before the battery is inserted. Remove battery before folding the unit. Fold unit completely until it locks in place.

1. To lock pole into straight use position, first ensure battery has been removed. Then flip up the locking lever 6, rotate pole latch 7 forward, and place the pole clasp 8 over the clasp catch 18. Rotate the pole latch 7 backwards until it locks securely into position. Check the locking lever to make sure it is properly locked in place.
2. To fold the pole for storage or transportation, first ensure battery has been removed. Then flip up the locking lever 6, rotate pole latch 7 forward and lift the pole clasp 8 up and over the clasp catch 18. Fold the pole completely until the guard 9 securely locks into place over the rear of the battery housing 11.

Attaching the Auxiliary Handle (Fig. A, C)

1. Place the auxiliary handle 4 on top of the handle base 20 so the upper trimmer pole 15 is between them.
2. Hold the auxiliary handle in place and slide the handle bolts 21 into the handle from the top, threading them into the handle base.
3. Tighten the handle bolts with the supplied hex wrench. Ensure the handle is securely attached.

Attaching Guard (Fig. D, E)

⚠ WARNING: Never remove the guard. Damage or personal injury could result.

⚠ WARNING: NEVER OPERATE APPLIANCE WITHOUT GUARD FIRMLY IN PLACE. The guard must always be properly attached on the appliance to protect the user.

1. Assemble the guard 9 to the motor housing 5.
2. Using a crosshead screwdriver, insert the 2 guard screws 19 and tighten securely.

NOTE: An extended coverage guard is available (sold separately) for extra coverage if desired. Use replacement guard Part Number N776035 for Type 1 units or N890579 for Type 2, 10, and beyond units.

OPERATION

⚠ WARNING: *To reduce the risk of serious personal injury, turn unit off and remove the battery pack before making any adjustments or removing/installing attachments or accessories. An accidental start-up can cause injury.*

Installing and Removing the Battery Pack (Fig. F)

NOTE: For best results, make sure your battery pack is fully charged.

To install the battery pack **12** into the tool handle, align the battery pack with the rails inside the tool's handle and slide it into the handle until the battery pack is firmly seated in the tool and ensure that it does not disengage.

To remove the battery pack from the tool, press the release button **13** and firmly pull the battery pack out of the tool handle. Insert it into the charger.

Proper Hand Position (Fig. G)

⚠ WARNING: *To reduce the risk of serious personal injury, ALWAYS use proper hand position as shown.*

⚠ WARNING: *To reduce the risk of serious personal injury, ALWAYS hold securely in anticipation of a sudden reaction.*

⚠ WARNING: *Always use proper eye protection that conforms to ANSI Z87.1 (CAN/CSA Z94.3) while operating this appliance.*

⚠ WARNING: *Remove the battery before making any assembly, adjustments, or changing accessories. Such preventive safety measures reduce the risk of starting the TRIMMER accidentally.*

⚠ CAUTION: *Before you begin trimming, only use the appropriate type of cutting line.*

⚠ CAUTION: *Inspect area to be trimmed and remove any wire, cord, or string-like objects which could become entangled in the rotating line or spool. Be particularly careful to avoid any wire which might be bent outwardly into the path of the appliance, such as barbs at the base of a chain link fence.*

Proper hand position requires one hand on the primary handle **14** and one hand on the auxiliary handle **4**.

Switching Trimmer On and Off (Fig. A)

To turn the appliance on, squeeze the lock-off button **2** and then the variable speed trigger **1**.

To turn the appliance off, release the variable speed trigger and the lock-off button.

⚠ WARNING: *Never attempt to lock the trigger in the on position.*

Speed Control Switch (Fig. A)

This string trimmer gives you the choice to operate at a more efficient speed to extend the runtime for larger jobs, or accelerate the trimmer speed for high-performance cutting.

To extend runtime, push the speed control switch **3** forward toward the auxiliary handle **4** into the "LO" position. This mode is best for larger projects that require more time to complete.

To accelerate the trimmer, pull the speed control switch back toward the battery housing **11** into the "HI" position. This mode is best to cut through heavier growth and for applications that need higher RPM.

NOTE: When in "HI" mode, runtime will be decreased as compared to when trimmer is in "LO" mode.

Trimming (Fig. H, I)

With the trimmer on, angle it and swing side to side as shown in Fig. I.

Maintain a minimum distance of 24" (610 mm) between the guard and your feet as shown in Fig. H.

⚠ WARNING: *Keep the rotating string roughly parallel with the ground (tilted no more than 30 degrees). This trimmer is not an edger. DO NOT TILT the trimmer so that the string is spinning near a right angle to the ground. Flying debris can cause serious injury.*

Bump Feed Trimmer Line Feed

Your trimmer uses 0.080" (2.0 mm) diameter nylon line. Cutting line will wear faster and require more feeding if the cutting is done along sidewalks or other abrasive surfaces or heavier weeds are being cut.

As you use the trimmer, the string will get shorter due to wear. Gently bump the trimmer on the ground while running at normal speed and the line will feed.

NOTE: Extending nylon line beyond the 14" (355 mm) swath will negatively affect performance, runtime, and the life of the trimmer due to potential of damaging motor. Doing so may void the warranty.

Helpful Cutting Tips

- Use the tip of the string to do the cutting; do not force string head into uncut grass.
- Wire and picket fences cause extra string wear, even breakage. Stone and brick walls, curbs, and wood may wear string rapidly.
- Do not allow spool cap to drag on ground or other surfaces.
- In long growth, cut from the top down and do not exceed 12" (304.8 mm) high.
- Keep trimmer tilted toward the area being cut; this is the best cutting area.
- The trimmer cuts when passing the unit from the left to right. This will avoid throwing debris at the operator.
- Avoid trees and shrubs. Tree bark, wood moldings, siding, and fence posts can easily be damaged by the string.

MAINTENANCE

⚠ WARNING: *To reduce the risk of serious personal injury, turn unit off and remove the battery pack before making any adjustments or removing/installing attachments or accessories. An accidental start-up can cause injury.*

Maintenance Treatments (Fig. J)

- Keep the air intake slots **26** clean to avoid overheating (Fig. J).
- Your trimmer line can dry out over time. To keep your line in top condition, store spare line in a plastic, sealable bag with a tablespoon of water.
- Plastic parts may be cleaned by using a mild soap and a damp rag.

- The line cutter on the edge of the guard can dull over time. It is recommended you periodically touch-up the sharpness of the blade with a file.

Cleaning

⚠ WARNING: Blow dirt and dust out of all air vents with clean, dry air at least once a week. To minimize the risk of eye injury, always wear ANSI Z87.1 approved eye protection when performing this procedure.

⚠ WARNING: Never use solvents or other harsh chemicals for cleaning the non-metallic parts of the tool. These chemicals may weaken the plastic materials used in these parts. Use a cloth dampened only with water and mild soap. Never let any liquid get inside the tool; never immerse any part of the tool into a liquid.

Accessories

⚠ WARNING: Since accessories, other than those offered by DEWALT, have not been tested with this product, use of such accessories with this tool could be hazardous. To reduce the risk of injury, only DEWALT recommended accessories should be used with this product.

Recommended accessories for use with your tool are available at extra cost from your local dealer or authorized service center. If you need assistance in locating any accessory, please contact DEWALT. Call 1-800-4-DEWALT (1-800-433-9258) or visit our website: www.dewalt.com.

Replacement Accessories

⚠ WARNING: To reduce the risk of serious personal injury, turn appliance off and remove battery before making any adjustments or removing/installing attachments or accessories.

⚠ WARNING: The use of any accessory not recommended by DEWALT for use with this appliance could be hazardous.

⚠ WARNING: Do not use any blades, or any accessory or attachment other than those recommended by DEWALT on this trimmer. Serious injury or product damage may result.

Use DEWALT replacement line Model No. DWO1DT801 or DWO1DT802.

When replacing the line, use only 0.080" (2.0 mm) diameter line (Model No. DWO1DT801 or DWO1DT802 are recommended). Other sizes may degrade performance or cause damage to the trimmer.

Reloading the Cutting Line (Fig. K–M)

⚠ WARNING: To reduce the risk of serious personal injury, turn unit off and remove the battery pack before making any adjustments or removing/installing attachments or accessories, when replacing line, or prior to cleaning. An accidental start-up can cause injury.

⚠ CAUTION: Use only DEWALT replacement spools and line. Using any other manufacturer's line

can reduce performance, damage the trimmer or cause personal injury.

Your trimmer uses 0.080" (2.0 mm) diameter line that is spiral-shaped with smooth round edges. Do not use other size lines. This can degrade performance, causing damage to the unit or injury.

⚠ CAUTION: To avoid appliance damage, if the cutting line protrudes beyond the trimming blade, cut it off so that it just reaches the blade.

Use only DEWALT replacement line.

1. Remove battery.
2. Cut a max of 20' (6 m) length of 0.080" (2.0 mm) trimmer line.
3. Align spool housing eyelets **22** with the arrow **23** on the spool grip cover **25** as shown in Fig. K.
4. Thread one end of the trimmer line through an eyelet. Guide the line through to the second eyelet and continue to pull the line through until there are equal lengths of string on each side of the spool housing as shown in Fig. L.
5. Secure the spool cap from moving with one hand. Using your other hand, wind the string onto the spool by rotating the spool grip cover counterclockwise. Continue winding until 5" (130 mm) of string remain on each side of the spool housing.

Replacing Spool Assembly (Fig. A, N)

1. Rotate the spool housing **10** until the hole **27** in the spindle plate aligns with notch **28** in the motor housing. Insert a screwdriver through the notch and into the hole, to prevent the spindle from turning.
 2. Unscrew and remove the spool housing by turning the spool grip cover **25** clockwise.
- NOTE:** Do not try to remove the spool by turning the spool housing **24**.
3. Remove spindle plate **30** before installing a new spool. Remove any dirt and grass from the motor housing and spindle plate.
 4. Install spindle plate **30** onto the spindle **29**, so the double D shaped retaining nut on the spindle sits inside the base of the spindle plate.
 5. Align the spindle plate hole and notch, insert a screwdriver back into the hole and thread the new spool housing counterclockwise. Securely tighten the new spool housing onto the spindle **29**.

Replacing Guard (Fig. O)

An extended coverage guard is available (sold separately) for extra coverage if desired. Use DEWALT replacement guard Part Number N890579.

⚠ WARNING: Never operate appliance without guard firmly in place.

1. Remove the 2 guard screws **19**.
2. Attach the new guard as described in the **Attaching Guard** section.

Folding for Storage or Transportation (Fig. A, B, P)

The string trimmer can be folded for storage or transportation. To put the string trimmer in the folded position, please refer to **Extending and Folding the Pole**.

Repairs

The charger and batteries are not serviceable. There are no serviceable parts inside the charger or battery pack.

⚠ WARNING: *To assure product SAFETY and RELIABILITY, repairs, maintenance and adjustment (including brush inspection and replacement, when applicable) should be performed by a factory service center or an authorized service center. Always use identical replacement parts.*

Register Online

Thank you for your purchase. Register your product now for:

- **WARRANTY SERVICE:** Registering your product will help you obtain more efficient warranty service in case there is a problem with your product.
- **CONFIRMATION OF OWNERSHIP:** In case of an insurance loss, such as fire, flood or theft, your registration of ownership will serve as your proof of purchase.
- **FOR YOUR SAFETY:** Registering your product will allow us to contact you in the unlikely event a safety notification is required under the Federal Consumer Safety Act.

Register online at www.dewalt.com/account-login.

Three-Year Limited Warranty

For warranty terms, go to www.dewalt.com/support/warranty.

To request a written copy of the warranty terms, contact: Customer Service at DeWALT Industrial Tool Co., 701 East Joppa Road, Towson, MD 21286 or call **1-800-4-DEWALT (1-800-433-9258)**.

LATIN AMERICA: This warranty does not apply to products sold in Latin America. For products sold in Latin America, see country-specific warranty information contained in the packaging, call the local company or see website for warranty information.

FREE WARNING LABEL REPLACEMENT: If your warning labels become illegible or are missing, call **1-800-4-DEWALT (1-800-433-9258)** for a free replacement.

Usage Prévu

Ce taille-bordure est conçu pour le taillage professionnel. Ce produit n'est pas une débroussailluse et n'est pas conçu pour être utilisé à des fins de délimitation.

NE PAS les utiliser en milieu ambiant humide ou en présence de liquides ou de gaz inflammables.

NE PAS le laisser à la portée des enfants. Une supervision est nécessaire auprès de tout utilisateur non expérimenté.

CONSIGNES IMPORTANTES DE SÉCURITÉ

⚠ AVERTISSEMENT : afin de réduire le risque de blessure :

- Avant toute utilisation, assurez-vous que toutes les personnes qui utiliseront l'outil lisent et comprennent toutes les consignes de sécurité et les autres renseignements compris dans le présent manuel.

- Conservez ces instructions et consultez-les souvent.

⚠ AVERTISSEMENT : lors de l'utilisation d'outils de jardinage électriques, les mesures de précaution de base devraient toujours être prises pour réduire la possibilité d'incendie, de choc électrique et de blessures, en suivant les recommandations suivantes.

1. **Évitez les environnements dangereux** – ne pas utiliser des appareils dans des endroits humides ou mouillés.
2. **Ne pas utiliser sous la pluie.**
3. **Gardez les enfants éloignés** – tous les visiteurs devraient être gardés à une distance sécuritaire de l'aire de travail.
4. **Portez des vêtements appropriés** – ne pas porter des vêtements amples ou des bijoux. Ils peuvent se coincer dans les pièces qui se déplacent. L'utilisation de gants en caoutchouc et de très bonnes chaussures est recommandée lors du travail extérieur. Portez une protection pour vos cheveux afin de les retenir.
5. **Utilisez des lunettes de sécurité** – utilisez un masque facial ou antipoussières s'il y a de la poussière durant l'utilisation.
6. **Utilisez le bon outil** – ne pas utiliser cet outil pour toute tâche autre que celles pour lesquelles il est conçu.
7. **Ne pas saisir les lames de coupe exposées ou les bords coupants lorsque vous prenez ou tenez l'appareil.**
8. **Ne pas forcer l'outil** – le travail sera mieux fait et avec moins de probabilité de risque à la vitesse pour laquelle il a été conçu.
9. **Ne pas s'étirer** – maintenez vos pieds bien d'aplomb sur le sol et un bon équilibre en tout temps.
10. **Demeurez vigilant** – regardez ce que vous faites. Faites preuve de bon sens. Ne pas utiliser l'appareil lorsque vous êtes fatigué.
11. **Débranchez l'appareil** – retirez le bloc-piles lorsque vous ne l'utilisez pas, avant de réparer, lorsque vous changez les accessoires comme les lames et autres.
12. **Entreposez les outils arrêtés à l'intérieur** – lorsqu'ils ne sont pas utilisés, les outils doivent être entreposés à l'intérieur dans un endroit sec et élevé ou verrouillé hors de portée des enfants.
13. **Entretenez soigneusement l'outil** – gardez bords coupants aiguisés et nettoyez pour une meilleure performance et afin de réduire le risque de blessure. Pour lubrifier l'outil et remplacer les accessoires, suivez les directives du manuel. Inspectez régulièrement la source d'alimentation et si elle

est endommagée, faites-la réparer dans un établissement de services autorisés. Gardez vos mains sèches, propres et exemptes de graisse et de poussière.

14. **Vérifiez les pièces endommagées** – avant toute utilisation ultérieure de l'outil, un protecteur ou une autre pièce qui est endommagée doit être soigneusement vérifié afin de déterminer s'il fonctionnera correctement et s'il effectuera la fonction prévue. Vérifiez l'alignement des pièces qui se déplacent, les fixations des pièces qui se déplacent, le bris des pièces, le montage et tout autre état qui peut affecter son utilisation. Un protecteur ou une autre pièce qui est endommagée doit être convenablement réparé ou remplacé par un centre de services autorisés sauf si c'est indiqué ailleurs dans ce manuel.

CONSERVEZ CES INSTRUCTIONS

Avertissements de sécurité supplémentaires

⚠ AVERTISSEMENT : pour réduire le risque de blessures par ricochet, travaillez en vous éloignant de tout objet solide tel un mur, des marches, de grosses pierres, des arbres, etc.

- **PROTECTEUR :** ne pas utiliser cet outil sans avoir fixé le protecteur.
- **PORTEZ DES VÊTEMENTS APPROPRIÉS :** ne pas porter des vêtements amples ou des bijoux. Ils peuvent se coincer dans les pièces qui se déplacent. Les gants et les chaussures à semelles en caoutchouc solides sont recommandés lorsque vous travaillez à l'extérieur. Ne pas utiliser cet outil lorsque vous êtes pieds nus ou que vous portez des sandales ouvertes. Portez des pantalons longs pour protéger vos jambes. Portez une protection pour vos cheveux afin de les retenir.
- **GARDEZ VOTRE VISAGE, VOS MAINS ET VOS PIEDS HORS DE PORTEE DU FIL EN ROTATION EN TOUT TEMPS.** Le fil en rotation a une fonction de coupe : faites attention lorsque vous coupez autour des moustiquaires et des plantes désirables.
- **GARDEZ TOUTES LES PASSANTS ÉLOIGNÉS :** à une distance sécuritaire de la zone de travail, particulièrement les enfants. ASSUREZ-VOUS que les autres personnes et les animaux sont à une distance d'au moins (100 pi).
- **FAITES TRÈS ATTENTION** lorsque vous travaillez près d'objets solides et au besoin, taillez à la main.
- **ÉVITEZ LES DÉMARRAGES ACCIDENTELS** – ne pas transporter avec votre doigt sur la gâchette si la pile est installée.
- **DOMMAGES À L'OUTIL** – si vous frappez ou si vous vous emmêlez avec un objet étranger, arrêtez immédiatement l'outil, retirez la pile, vérifiez les dommages et faites réparer les dommages avant de tenter de le réutiliser. Ne pas l'utiliser avec un moyeu ou une bobine brisée.
- **NE PAS UTILISER** les outils électriques portatifs dans une atmosphère gazeuse ou explosive. Les moteurs de ces outils produisent des étincelles et ces étincelles pourraient enflammer les vapeurs.
- **DEMEUREZ VIGILANT** – ne pas utiliser cet outil lorsque vous êtes fatigué, malade ou sous l'influence de l'alcool, de drogues ou de médicaments.
- **NE PAS** immerger l'outil dans l'eau ou l'asperger avec un tuyau.
- **NE PAS** laisser pénétrer tout liquide à l'intérieur. Si l'outil est mouillé, laissez-le sécher pendant au moins 48 heures.
- **NE PAS** nettoyer avec une laveuse à pression.

- **NE PAS** entreposer l'outil sur ou près de fertilisants ou de produits chimiques.
- **NE PAS** charger l'outil sous la pluie ou dans des endroits mouillés.
- **AFIN DE RÉDUIRE LE RISQUE DE BLESSURES**, ne pas utiliser l'unité si pliée. L'unité doit être en pleine extension et le fermoir de la tige fixé avant d'insérer la pile.
- **RETIREZ LA PILE AVANT DE PLIER L'UNITÉ.** Pliez complètement l'unité jusqu'à ce qu'elle se verrouille.

ATTENTION : utilisez seulement des bobines et du fil de remplacement DEWALT. Utiliser un fil de tout autre fabricant peut réduire la performance, endommager la taille-bordure ou causer une blessure corporelle. Votre taille-bordure utilise un fil ayant un diamètre de 2,0 mm (0,080 pouce). Ne pas utiliser d'autres formats de fil. Cela peut réduire la performance, causer des dommages à l'outil ou une blessure.

AVERTISSEMENT : si la gâchette ne met pas l'outil en marche ou si elle ne l'éteint pas, ne pas se servir de l'outil. Tout outil qui ne peut être contrôlé avec la gâchette est dangereux et doit être réparé.

Consigne de sécurité supplémentaire

AVERTISSEMENT : ne jamais modifier l'outil électrique ni aucun de ses composants, car il y a risques de dommages corporels ou matériels.

AVERTISSEMENT : porter **SYSTEMATIQUÉMENT** des lunettes de protection. Les lunettes courantes NE sont PAS des lunettes de protection. Utiliser aussi un masque antipoussières si l'opération est poussiéreuse. **PORTER SYSTEMATIQUÉMENT UN ÉQUIPEMENT DE SÉCURITÉ HOMOLOGUÉ :**

- Protection oculaire ANSI Z87.1 (CAN/CSA Z94.3) ;
- Protection auditive ANSI S12.6 (S3.19) ;
- Protection des voies respiratoires NIOSH/ OSHA/ MSHA.

AVERTISSEMENT : certaines poussières contiennent des produits chimiques reconnus dans l'État de la Californie pour causer le cancer et des anomalies congénitales ou autres effets nuisibles sur la reproduction. Certains exemples de ces produits chimiques sont :

- des composants de fertilisants,
- des composants d'insecticides, d'herbicides et de pesticides,
- l'arsenic et le chrome provenant du bois de construction traité chimiquement.

Pour réduire votre exposition à ces produits chimiques, portez un équipement de sécurité approuvé, comme un masque antipoussière spécialement conçu pour filtrer les particules microscopiques.

AVERTISSEMENT : cet outil peut produire et/ou répandre de la poussière susceptible de causer des dommages sérieux et permanents au système respiratoire. Utiliser systématiquement un appareil de protection des voies respiratoires homologué par le NIOSH ou l'OSHA. Diriger les particules dans le sens opposé au visage et au corps.

AVERTISSEMENT : pendant l'utilisation, porter systématiquement une protection auditive individuelle adéquate homologuée ANSI S12.6 (S3.19). Sous certaines conditions et suivant la durée d'utilisation, le bruit émanant de ce produit pourrait contribuer à une perte de l'acuité auditive.

ATTENTION : après utilisation, ranger l'outil sur son côté, sur une surface stable, là où il ne pourra ni faire trébucher ni faire chuter quelqu'un. Certains outils équipés d'un large bloc-piles peuvent tenir à la verticale sur celui-ci, mais manquent alors de stabilité.

• **Prendre des précautions à proximité des événements, car ils cachent des pièces mobiles.** Vêtements amples, bijoux ou cheveux longs risquent de rester coincés dans ces pièces mobiles.

L'étiquette apposée sur votre outil peut inclure les symboles suivants. Les symboles et leur définition sont indiqués ci-après :

V	volts	W	watts
Hz	hertz	~ ou CA	courant alternatif
min	minutes	⏏ ou CA/CC	courant alternatif ou continu
— — — ou CC	courant continu	⊞	fabrication classe II (double isolation)
Ⓧ	fabrication classe I (mis à la terre)	n ₀	vitesse à vide
... /min	par minute	n	vitesse nominale
BPM	batttements par minute	⊕	borne de terre
IPM	impacts par minute	⚠	symbole d'avertissement
RPM	révolutions par minute	⚠	radiation visible
sfpm (plpm)	pieds linéaires par minute	Ⓡ	protection respiratoire
SPM (FPM)	fréquence par minute	Ⓢ	protection oculaire
OPM	oscillations par minute	Ⓣ	protection auditive
A	ampères	📖	lire toute la documentation
IPXX	symbole IP		

ASSEMBLAGE ET AJUSTEMENTS

AVERTISSEMENT : afin de réduire le risque de blessure corporelle, éteignez l'appareil et retirez le bloc-piles avant d'effectuer tout ajustement ou de retirer/installer des pièces ou des accessoires. Un déclenchement accidentel du démarrage peut causer des blessures.

Étendre et plier la tige (Fig. A, B, P)

AVERTISSEMENT : afin de réduire le risque de blessures, ne pas utiliser l'unité si pliée. L'unité doit être en pleine extension et le fermoir de la tige fixé avant d'insérer la pile. Retirez la pile avant de plier l'unité. Pliez complètement l'unité jusqu'à ce qu'elle se verrouille.

1. Pour verrouiller la tige en position d'utilisation droite, assurez-vous d'abord que la pile a été retirée. Puis rabattez le levier de verrouillage **6**, tournez le verrou de la tige **7** vers l'avant et placez le fermoir de la tige **8** sur le cran du fermoir **18**. Tournez le verrou de la tige **7** vers l'arrière jusqu'à ce qu'il se verrouille en place de façon sécuritaire.

Vérifiez le levier de verrouillage pour vous assurer qu'il est bien verrouillé en place.

2. Pour verrouiller la tige pour l'entreposage ou le transport, assurez-vous d'abord que la pile a été retirée. Puis rabattez le levier de verrouillage **6**, tournez le verrou de la tige **7** vers l'avant et levez le fermoir de la tige **8** pas-dessus le cran du fermoir **18**. Pliez la tige complètement jusqu'à ce que le protecteur **9** se verrouille bien en place à l'arrière du boîtier de la pile **11**.

Fixer la poignée auxiliaire (Fig. A, C)

1. Placez la poignée auxiliaire **4** sur le dessus de la base de la poignée **20** afin que la tige du taille-bordure supérieure **15** soit entre elles.
2. Tenez la poignée auxiliaire en place et glissez les boulons de la poignée **21** dans la poignée à partir du dessus en les enfilant dans la base de la poignée.
3. Vissez les boulons de la poignée avec la clé hexagonale fournie. Assurez-vous que la poignée est fixée de façon sécuritaire.

Fixer le protecteur (Fig. D, E)

⚠ Avertissement : *ne jamais retirer le protecteur. Cela pourrait entraîner des dommages matériels ou des blessures corporelles.*

⚠ Avertissement : **NE JAMAIS FAIRE FONCTIONNER l'outil SANS QUE LE PROTECTEUR SOIT FERMEMENT FIXÉ EN PLACE.** *Le protecteur doit toujours être bien fixé à l'outil pour protéger les utilisateurs.*

1. Assemblez le protecteur **9** dans le boîtier du moteur **5**.
2. À l'aide d'un tournevis cruciforme, insérez les 2 vis du protecteur **19** et vissez solidement.

REMARQUE : un protecteur à couverture étendue (vendu séparément) est disponible à un coût additionnel si désiré. Utilisez la protection de rechange référence N776035 pour les unités de type 1 ou N890579 pour les types 2, 10 et plus.

FONCTIONNEMENT

⚠ Avertissement : *afin de réduire le risque de blessure corporelle, éteignez l'appareil et retirez le bloc-piles avant d'effectuer tout ajustement ou de retirer/installer des pièces ou des accessoires. Un déclenchement accidentel du démarrage peut causer des blessures.*

Installation et retrait du bloc-piles (Fig. F)

REMARQUE : pour des résultats optimaux, s'assurer que le bloc-piles est complètement chargé.

Pour installer le bloc-piles **12** dans la poignée de l'outil, alignez le bloc-piles sur les rails dans la poignée de l'outil et faites-le glisser fermement en place puis vérifiez qu'il ne s'en détachera pas.

Pour retirer le bloc-piles de l'outil, poussez sur le bouton de libération **13** et tirez fermement le bloc-piles hors de la poignée de l'outil. Insérez-le dans son chargeur.

Position correcte des mains (Fig. G)

⚠ Avertissement : *afin de réduire le risque de blessure corporelle grave, utilisez toujours la position des mains appropriée comme illustrée.*

⚠ Avertissement : *afin de réduire le risque de blessure grave, tenez toujours solidement en prévision d'une réaction soudaine.*

⚠ Avertissement : *utilisez toujours une protection des yeux appropriée conforme à la norme ANSI Z87.1 (CAN/CSA Z94.3) lorsque vous utilisez cet outil.*

⚠ Avertissement : *retirez le bloc-piles avant de faire tout assemblage, ajustement ou changement d'accessoires. Ces mesures de sécurité préventives réduisent le risque de démarrage accidentel du taille-bordure.*

⚠ Attention : *avant de commencer la coupe, utilisez seulement le type de fil de coupe approprié.*

⚠ Attention : *inspectez la zone à être coupée et retirez tout câble, corde ou objet ressemblant à une corde qui pourrait s'emmêler dans le fil de rotation ou la bobine. Soyez particulièrement prudent afin d'éviter tout câble qui pourrait être plié vers l'extérieur dans la trajectoire de l'appareil, comme les piques à la base d'une clôture à mailles losangées.*

Une position des mains appropriée nécessite une main sur la poignée principale **14** et une main sur la poignée auxiliaire **4**.

Mettre en marche et éteindre le taille-bordure (Fig. A)

Pour mettre l'appareil en marche, appuyez sur le bouton de verrouillage **2**, puis appuyez sur la gâchette à vitesse variable **1**.

Pour éteindre l'appareil, relâchez la gâchette à vitesse variable et le bouton de verrouillage.

⚠ Avertissement : *ne jamais tenter de verrouiller la gâchette lorsque l'outil est en marche.*

Bouton de réglage de la vitesse (Fig. A)

Ce taille-bordure vous donne le choix de l'utiliser à une vitesse plus efficace afin de performance la durée d'exécution pour de plus gros travaux ou d'accélérer la vitesse du taille-bordure pour une coupe à performance élevée.

Pour prolonger la durée d'exécution, appuyez sur le bouton de réglage de la vitesse **3** vers l'avant en direction de la poignée auxiliaire **4** en position « LO ». Ce mode est le meilleur pour les projets plus gros qui nécessite plus de temps pour se terminer.

Pour accélérer le taille-bordure, tirez sur le bouton de réglage de la vitesse vers le boîtier du bloc-piles **11** en position « HI ». Ce mode est meilleur pour couper dans une croissance plus dense et pour des applications ayant besoin de tours par minutes plus élevés.

REMARQUE : en mode « HI », la durée d'exécution diminuera comparée à lorsque le taille-bordure est en mode « LO ».

Coupe (Fig. H, I)

Avec le taille-bordure en marche, placez-le en angle et balancez-le d'un côté à l'autre comme illustré dans la Fig. I. Maintenez une distance minimale de 610 mm (24 po) entre le protecteur et vos pieds comme illustré dans la Fig. H.

⚠ AVERTISSEMENT : *gardez le fil en rotation à peu près parallèle au sol (incliné pas plus de 30 degrés). Ce taille-bordure n'est pas une déligneuse. NE PAS INCLINER le taille-bordure afin que le fil tourne en angle presque droit avec le sol. Les débris projetés peuvent causer de graves blessures.*

Alimentation du fil du taille-bordure par coup

Votre taille-bordure utilise un fil de nylon ayant un diamètre de 0,080 po (2,0 mm). Si le travail est fait en bordure de trottoirs ou autres surfaces abrasives, ou si de mauvaises herbes plus denses sont coupées, le fil de coupe s'usera plus rapidement et une alimentation plus fréquente de nouveau fil sera requise.

Au fur et à mesure que vous utilisez le taille-bordure, le fil devient court en raison de l'usure. Frappez doucement le taille-bordure sur le sol pendant qu'il fonctionne à vitesse normale et le fil s'allongera.

REMARQUE : étendre le fil de nylon au-delà d'une largeur de 14 po (355 mm) nuira à la performance, à la durée d'exécution et à la vie du taille-bordure en raison de possibles dommages au moteur. Le faire peut annuler la garantie.

Conseils pratiques de coupe

- Utilisez l'extrémité du fil pour effectuer la coupe; ne pas forcer la tête du fil dans l'herbe non coupée.
- Les fils de fer et les clôtures entraînent l'usure supplémentaire du fil, même un bris. Les murs de pierres et de briques, les bordures de trottoirs et le bois peuvent user rapidement le fil.
- Ne pas laisser le capuchon de la bobine traîner sur le sol ou d'autres surfaces.
- En longue croissance, coupez de bas en haut et n'excédez pas 304,8 mm (12 po) de hauteur.
- Gardez le taille-bordure incliné vers la zone étant coupée; cela la meilleure zone de coupe.
- Le taille-bordure coupe lorsqu'il passe de gauche à droite. Cela évite de projeter des débris vers l'utilisateur.
- Évitez les arbres et les arbustes. L'écorce des arbres, les moulures de bois, le revêtement et les poteaux de clôture peuvent facilement être endommagés par le fil.

MAINTENANCE

⚠ AVERTISSEMENT : *afin de réduire le risque de blessure corporelle, éteignez l'appareil et retirez le bloc-piles avant d'effectuer tout ajustement ou de retirer/installer des pièces ou des accessoires. Un déclenchement accidentel du démarrage peut causer des blessures.*

Traitements d'entretien (Fig. J)

- Gardez les orifices d'aération **26** propres afin d'éviter la surchauffe (Fig. J).
- Le fil de votre taille-bordure peut s'assécher avec le temps. Pour garder le fil en bonne condition, entreposez le fil de rechange dans un sac de plastique scellé avec une cuillère à table d'eau.
- Les pièces en plastique peuvent être nettoyées en utilisant un savon doux et un chiffon humide.
- Le coupeur de fil sur le bord du protecteur peut s'émauser avec le temps. Il est recommandé de vérifier régulièrement le tranchant de la lame avec le fil.

Nettoyage

⚠ AVERTISSEMENT : *enlever les saletés et la poussière hors des événements au moyen d'air comprimé propre et sec, au moins une fois par semaine. Pour minimiser le risque de blessure aux yeux, toujours porter une protection oculaire conforme à la norme ANSI Z87.1 lors du nettoyage.*

⚠ AVERTISSEMENT : *ne jamais utiliser de solvants ni d'autres produits chimiques puissants pour nettoyer les pièces non métalliques de l'outil. Ces produits chimiques peuvent affaiblir les matériaux de plastique utilisés dans ces pièces. Utiliser un chiffon humecté uniquement d'eau et de savon doux. Ne jamais laisser de liquide pénétrer dans l'outil et n'immerger aucune partie de l'outil dans un liquide.*

Accessoires

⚠ AVERTISSEMENT : *puisque les accessoires autres que ceux offerts par DEWALT n'ont pas été testés avec ce produit, leur utilisation pourrait s'avérer dangereuse. Pour réduire le risque de blessures, utiliser exclusivement les accessoires DEWALT recommandés avec le présent produit.*

Les accessoires recommandés pour cet outil sont vendus séparément au centre de service de votre région. Pour obtenir de l'aide concernant l'achat d'un accessoire, communiquer avec DEWALT, composer le **1-800-433-9258 (1-800-4-DEWALT)** ou visiter notre site Web : www.dewalt.com.

Accessoires de remplacement

⚠ AVERTISSEMENT : *afin de réduire le risque de blessure corporelle grave, éteignez l'appareil et retirez le bloc-piles avant d'effectuer tout ajustement ou de retirer/installer des pièces ou des accessoires.*

⚠ AVERTISSEMENT : *l'utilisation de tout accessoire non recommandé par DEWALT avec cet appareil pourrait être dangereuse.*

⚠ AVERTISSEMENT : *ne pas utiliser toute lame, tout accessoire ou toute fixation autre que ceux recommandés DEWALT sur ce taille-bordure. Cela peut causer une blessure grave ou des dommages matériels.* Utilisez du fil de remplacement DEWALT dont le numéro de modèle est DWO1DT801 ou DWO1DT802.

Lorsque vous remplacez le fil, utilisez seulement un fil ayant un diamètre de 0,080 po (2,0 mm) (les numéros de modèles DWO1DT801 ou DWO1DT802 sont recommandés). D'autres formats pourraient réduire la performance ou endommager le taille-bordure.

Recharger le fil de coupe (Fig. K–M)

⚠ AVERTISSEMENT : *afin de réduire le risque de blessure corporelle grave, éteignez l'outil et retirez le bloc-piles avant d'effectuer tout ajustement ou de retirer/installer des pièces ou des accessoires, lorsque vous remplacez ou avant de nettoyer. Un démarrage accidentel peut causer des blessures.*

⚠ ATTENTION : *utilisez seulement des bobines et du fil de remplacement DEWALT. Utiliser un fil de tout autre fabricant peut réduire la performance, endommager la taille-bordure ou causer une blessure corporelle. Votre taille-bordure utilise un fil ayant un diamètre de 2,0 mm (0,080 po) de forme spirale avec des extrémités arrondies. Ne pas utiliser d'autres formats de fil. Cela peut réduire la performance, causer des dommages à l'unité ou une blessure.*

⚠ ATTENTION : *afin d'éviter d'endommager l'outil, si le fil de coupe dépasse la lame de coupe, coupez-le afin qu'il atteigne tout juste la lame. Utilisez seulement du fil de remplacement DEWALT.*

1. Retirez le bloc-piles.
2. Coupez une longueur maximale de 20 pi (6 m) du fil du taille-bordure de 2,0 mm (0,080 po).
3. Alignez les œillets du boîtier de la bobine **22** avec la flèche **23** sur le capot de la poignée de la bobine **25** comme illustré dans la Fig. K.
4. Enfilez une extrémité du fil de coupe à travers un œillet. Faites passer le fil à travers le deuxième œillet et continuez à tirer sur le fil jusqu'à ce que les longueurs de fil soient égales de chaque côté du boîtier de la bobine comme illustré dans la Fig. L.
5. Appuyez le capot de la bobine de se déplacer avec une main. À l'aide de votre autre main, enroulez le fil sur la bobine en tournant le capot de la poignée de la bobine dans le sens contraire des aiguilles d'une montre. Continuez à enrouler jusqu'à ce qu'il reste 5 po (130 mm) de fil de chaque côté du boîtier de la bobine.

Remplacer l'assemblage de la bobine (Fig. A, N)

1. Tournez le boîtier de la bobine **10** jusqu'à ce que le trou **27** dans la plaque de l'axe s'aligne avec l'encoche **28** dans le boîtier du moteur. Insérez un tournevis à travers l'encoche et dans le trou afin d'empêcher l'axe de tourner.
 2. Dévissez et retirez le boîtier de la bobine en tournant le capot de la poignée de la bobine **25** dans le sens des aiguilles d'une montre.
- REMARQUE :** ne pas essayer de retirer la bobine en tournant le boîtier de la bobine **24**.
3. Retirez la plaque de l'axe **30** avant d'installer la nouvelle bobine. Enlevez toute saleté et herbe du boîtier du moteur et de la plaque de l'axe.
 4. Installez la plaque de l'axe **30** sur l'axe **29** afin que l'éccrou de retenue en forme de double D sur l'axe demeure à l'intérieur de la base de la plaque de l'axe.
 5. Alignez le trou de la plaque de l'axe et l'encoche, réinsérez le tournevis dans le trou et enfillez le boîtier de la bobine dans le sens contraire des aiguilles d'une montre. Vissez solidement le nouveau boîtier de la bobine dans l'axe **29**.

Remplacer le protecteur (Fig. O)

Un protecteur à couverture étendue (vendu séparément) est disponible à un coût additionnel si désiré. Utilisez la pièce de protecteur de remplacement DEWALT numéro N890579.

⚠ AVERTISSEMENT : *ne jamais faire fonctionner l'outil sans que le protecteur soit fermement fixé en place.*

1. Retirez les 2 vis du protecteur **19**.
2. Fixez le nouveau protecteur comme décrit dans la section **Fixer le protecteur**.

Plier pour l'entreposage ou le transport (Fig. A, B, P)

Le taille-bordure peut être plié pour l'entreposage ou le transport. Pour mettre le taille-bordure en position pliée, veuillez consulter **Étendre et plier la tige**.

Réparations

Le chargeur ou le bloc-piles ne sont pas réparables. Le chargeur ou le bloc-piles ne comportent aucune pièce réparable.

⚠ AVERTISSEMENT : *pour assurer la SÉCURITÉ et la FIABILITÉ du produit, les réparations, l'entretien et les réglages doivent être réalisés (cela comprend l'inspection et le remplacement du balai, le cas échéant) par un centre de réparation en usine DEWALT ou un centre de réparation agréé DEWALT. Toujours utiliser des pièces de rechange identiques.*

Enregistrez-vous en ligne

Nous vous remercions de votre achat. Enregistrez votre produit maintenant pour :

- **SERVICE DE GARANTIE :** l'enregistrement de votre produit en ligne vous aide à obtenir un service de garantie efficace au cas où vous auriez un problème avec votre produit.
 - **CONFIRMATION DE PROPRIÉTÉ :** en cas de pertes liées aux assurances telles qu'un incendie, une inondation ou un vol, votre enregistrement de propriété servira de preuve de votre achat.
 - **POUR VOTRE SÉCURITÉ :** l'enregistrement de votre produit nous permet de vous contacter dans le cas peu probable d'une notification de sécurité requise selon le Federal Consumer Safety Act.
- Inscrivez-vous en ligne sur www.dewalt.com/account-login.

Garantie limitée de trois ans

Pour les conditions de la garantie, consultez le site www.dewalt.com/support/warranty.

Pour demander une copie écrite des conditions de la garantie, contactez : service à la clientèle chez DEWALT Industrial Tool Co., 701 East Joppa Road, Towson, MD 21286 ou appelez le **1-800-4-DEWALT (1-800-433-9258)**.

AMÉRIQUE LATINE : la présente garantie ne s'applique pas aux produits vendus en Amérique Latine. Pour les produits vendus en Amérique Latine, consultez les renseignements sur la garantie particulière au pays comprise dans l'emballage, appelez l'entreprise locale ou consultez le site Web pour les renseignements complets sur la garantie.

REMPLACEMENT DES ÉTIQUETTES D'AVERTISSEMENT GRATUIT : si vos étiquettes d'avertissement deviennent illisibles ou sont manquantes, appelez au **1-800-4-DEWALT (1-800-433-9258)** pour un remplacement gratuit.

Uso Debido

Estas podadoras de cuerda está diseñada para aplicaciones de poda profesionales. Este producto no es una bordeadora y no está destinado para utilizarse para bordes.

NO use en condiciones húmedas ni en presencia de líquidos o gases inflamables.

NO permita que los niños toquen la herramienta. Si el operador no tiene experiencia operando esta herramienta, su uso deberá ser supervisado.

INSTRUCCIONES DE SEGURIDAD IMPORTANTES

⚠️ ADVERTENCIA: Para reducir el riesgo de lesiones:

- Antes de cualquier uso, asegúrese que cualquiera que use esta unidad lea y entienda todas las instrucciones de seguridad y otra información contenida en este manual.
- Conserve estas instrucciones y revíselas con frecuencia.

⚠️ ADVERTENCIA: Cuando use aparatos de jardinería eléctricos, siempre se deben seguir las precauciones de seguridad básica para reducir el riesgo de incendio, descarga eléctrica, y lesiones personales, incluyendo las siguientes.

1. **Evite ambientes peligrosos** – No use aparatos en ubicaciones mojadas o húmedas.
2. **No use en lluvia.**
3. **Mantenga a los niños alejados** – Todos los visitantes deben mantener una distancia del área de trabajo.
4. **Use vestimenta apropiada** – No use ropa holgada o joyería. Pueden quedar atrapados en las partes móviles. Se recomienda el uso de guantes de hule y calzado apropiado cuando trabaje en exteriores. Use una cubierta de protección para el cabello para cubrir el cabello largo.
5. **Use Gafas de seguridad** – También use una careta o máscara de polvo si la operación produce polvo.
6. **Utilice el aparato correcto** – No utilice el aparato para ningún trabajo excepto para el que está diseñado.
7. **No sujete las cuchillas de corte expuestas ni los bordes de corte cuando levante o sostenga el aparato.**
8. **No fuerce el aparato** – Hará el trabajo mejor y con menos probabilidad de un riesgo de lesión en la velocidad para la que se diseñó.
9. **No se estire en exceso** – Mantenga la pisada y equilibrio adecuados en todo momento.
10. **Permanezca alerta** – Observe lo que está haciendo. Utilice el sentido común. No opere el aparato cuando esté cansado.
11. **Desconecte el aparato** – Retire la batería cuando no esté en uso, antes de realizar el mantenimiento, al cambiar accesorios tales como cuchillas, y similares.
12. **Guarde los aparatos sin uso en el interior** – Cuando no los use, los aparatos deben almacenarse en interiores en lugares secos y altos o encerrados, fuera del alcance de los niños.
13. **Mantenga el aparato con cuidado** – Mantenga el borde de corte afilado y limpio para obtener el mejor desempeño y reducir el riesgo de lesiones. Siga las instrucciones para lubricar y cambiar los accesorios. Revise la fuente de energía del aparato periódicamente y, si está dañada, pida que lo reparen en instalaciones de servicio autorizadas. Mantenga las manijas secas, limpias y libres de aceite y grasa.

14. **Revise las partes dañadas** – Antes de utilizar el aparato, se debe revisar cuidadosamente una protección u otra pieza que esté dañada para determinar que funcionará correctamente y cumplirá su función. Revise la alineación de las partes móviles, la unión de las partes móviles, la ruptura de partes, el montaje y cualquier otra condición que pueda afectar su operación. Una protección u otra parte que esté dañada se debe reparar o reemplazar apropiadamente por un centro de servicio autorizado, a menos que se indique en otra parte de este manual.

CONSERVE ESTAS INSTRUCCIONES

Advertencias de Seguridad Adicionales

⚠️ ADVERTENCIA: Para reducir el riesgo de lesiones por rebote, trabaje alejándose de cualquier objeto sólido cercano, como paredes, escaleras, piedras grandes, árboles, etc.

- **PROTECCIÓN** – No use este aparato sin la protección incluida.
- **USE VESTIMENTA CORRECTA** – No use ropa suelta o joyas. Pueden quedar atrapados en las partes móviles. Se recomiendan guantes y calzado de suela de hule cuando trabaje al aire libre. No opere el aparato cuando esté descalzo o use sandalias abiertas. Use pantalones largos pesados para proteger sus piernas. Use una cubierta de protección para el cabello para cubrir el cabello largo.
- **MANTENGA LA CARA, LAS MANOS Y LOS PIES ALEJADOS DE LA LÍNEA DE NYLON GIRATORIA EN TODO MOMENTO.** La línea giratoria realiza una función de corte, tenga cuidado al recortar alrededor de pantallas y plantas deseables.
- **MANTENGA A TODOS LOS TRANSEÚNTES ALEJADOS** – a una distancia segura del área de trabajo, especialmente a niños. **ASEGÚRESE** que otras personas y mascotas estén a una distancia de por lo menos 100' (30 m).
- **TENGA MUCHO CUIDADO** cuando trabaje cerca de objetos sólidos y cuando sea necesario, realice el corte a mano.
- **EVITE EL ARRANQUE ACCIDENTAL** – No cargue con el dedo en el gatillo cuando la batería esté instalada.
- **DAÑO A LA UNIDAD** – Si golpea o se enreda con un objeto extraño, detenga el aparato inmediatamente, retire la batería, revise si hay daños y repare el daño antes de intentar la operación adicional. No opere con un cubo o un carrete rotos.
- **NO OPERE** aparatos eléctricos portátiles en una atmósfera gaseosa o explosiva. Los motores de estos aparatos pueden producir chispas, y éstas pueden encender los vapores.
- **PERMANEZCA ALERTA** – No utilice esta unidad cuando esté cansado, enfermo o bajo la influencia de alcohol, drogas o medicamentos.
- **NO** sumerja el aparato en agua ni lo rocíe con una manguera.
- **NO** permita que entre ningún líquido en su interior. Si el aparato se moja, deje secar durante un mínimo de 48 horas.
- **NO** limpie con una lavadora a presión.
- **NO** guarde el aparato en o junto a fertilizantes o productos químicos.
- **NO** cargue el aparato en la lluvia o en lugares húmedos.
- **PARA REDUCIR EL RIESGO DE LESIONES**, no opere la unidad mientras esté doblada. La unidad se debe extender completamente y asegurar el broche del poste antes de insertar la batería.

• RETIRE LA BATERÍA ANTES DE DOBLAR LA UNIDAD.

Doble la unidad completamente hasta que se bloquee en su lugar.

⚠ ATENCIÓN: Utilice únicamente carretes y línea de repuesto DeWALT. El uso de la línea de cualquier otro fabricante puede reducir el desempeño, dañar la podadora o causar lesiones personales.

Su podadora usa una línea de 2,0 mm (0,080 pulgadas) de diámetro. No use otros tamaños de línea. Esto puede degradar el rendimiento, causar daños a la unidad o lesiones.

⚠ ADVERTENCIA: No use el aparato si el gatillo de interruptor no lo enciende y apaga. Cualquier aparato que no pueda ser controlado con el gatillo del interruptor es peligroso y debe ser reparado.

Instrucción Adicional de Seguridad

⚠ ADVERTENCIA: Nunca modifique la herramienta eléctrica, ni tampoco ninguna de sus piezas. Podría producir lesiones corporales o daños.

⚠ ADVERTENCIA: Use **SIEMPRE** lentes de seguridad. Los anteojos de diario NO SON lentes de seguridad. Utilice además una cubrebocas o mascarilla antipolvo si la operación de corte genera demasiado polvo. **SIEMPRE LLEVE EQUIPO DE SEGURIDAD CERTIFICADO:**

- protección ocular ANSI Z87.1 (CAN/CSA Z94.3),
- protección auditiva ANSI S12.6 (S3.19),
- protección respiratoria NIOSH/OSHA/MSHA.

⚠ ADVERTENCIA: Algún polvo contiene químicos conocidos por el Estado de California que causan cáncer, defectos de nacimiento u otros daños reproductivos. Algunos ejemplos de estos químicos son:

- compuestos en fertilizantes,
- compuestos en insecticidas, herbicidas y pesticidas,
- arsénico y cromo a partir de madera tratada químicamente.

Para reducir su exposición a estos químicos, use equipo de seguridad aprobado, tal como máscaras de polvo que estén diseñadas específicamente para filtrar partículas microscópicas.

⚠ ADVERTENCIA: La utilización de esta herramienta puede generar polvo o dispersarlo, lo que podría causar daños graves y permanentes al sistema respiratorio, así como otras lesiones. Siempre use protección respiratoria aprobada por NIOSH (Instituto Nacional de Seguridad y Salud en el Trabajo) u OSHA (Administración de Seguridad y Salud en el Trabajo) apropiada para la exposición al polvo. Dirija las partículas en dirección contraria a la cara y el cuerpo.

⚠ ADVERTENCIA: Siempre lleve la debida protección auditiva personal en conformidad con ANSI S12.6 (S3.19) durante el uso de esta herramienta. Bajo algunas condiciones y duraciones de uso, el ruido producido por este producto puede contribuir a la pérdida auditiva.

⚠ ATENCIÓN: Cuando no esté en uso, guarde la herramienta apoyada en un costado sobre una superficie estable, donde no interrumpa el paso o provoque una caída. Algunas herramientas con paquetes

de baterías de gran tamaño pueden colocarse paradas sobre el paquete de baterías, pero pueden caerse fácilmente.

• Los orificios de ventilación suelen cubrir piezas en movimiento, por lo que también se deben evitar. Las piezas en movimiento pueden atrapar prendas de vestir sueltas, joyas o el cabello largo.

La etiqueta de su herramienta puede incluir los siguientes símbolos. A continuación se indican los símbolos y sus definiciones:

V	voltios	~ o CA	corriente alterna
Hz	hertz	⚡ o CA/CD	corriente alterna o directa
min	minutos	🏠	Construcción de Clase II (doble aislamiento)
— o CD	corriente directa	n ₀	velocidad sin carga
Ⓜ	Construcción de Clase I (tierra)	IPXX	símbolo IP
.../min	por minuto	n	velocidad nominal
BPM	golpes por minuto	Ⓧ	terminal de conexión a tierra
IPM	impactos por minuto	⚠	símbolo de advertencia de seguridad
RPM	revoluciones por minuto	☠	radiación visible
sfpm	pies de superficie por minuto	🧴	protección respiratoria
SPM	pasadas por minuto	👁	protección ocular
OPM	oscilaciones por minuto	👂	protección auditiva
A	amperios	📖	lea toda la documentación
W	watios		

MONTAJE Y AJUSTES

⚠ ADVERTENCIA: Para reducir el riesgo de lesiones personales, apague la unidad y retire el paquete de batería antes de realizar cualquier ajuste o retirar/instalar conexiones o accesorios. Una activación de arranque accidental puede causar lesiones.

Extensión y Pliegue de Poste (Fig. A, B, P)

⚠ ADVERTENCIA: Para reducir el riesgo de lesiones, no opere la unidad mientras esté doblada. La unidad se debe extender completamente y asegurar el broche del poste antes de insertar la batería. Retire la batería antes de doblar la unidad. Doble la unidad completamente hasta que se bloquee en su lugar.

1. Para bloquear el poste en la posición recta de uso, primero asegúrese que la batería sea retirada. Después voltee la palanca de bloqueo hacia arriba **6** gire el seguro de poste **7** hacia adelante y coloque la agarradera de poste **8** sobre la conexión de la agarradera **18**. Gire el seguro de poste **7** hacia atrás hasta que se bloquee firmemente en su posición. Revise la palanca de bloqueo para asegurarse que esté bloqueada adecuadamente en su lugar.
2. Para doblar el poste para almacenamiento o transporte, primero asegúrese que la batería se haya retirado. Después voltee la palanca de bloqueo hacia arriba **6**, gire el seguro de poste **7** hacia adelante y levante la agarradera de poste **8** sobre la conexión de la agarradera **18**. Doble el poste completamente hasta que la protección **9** se bloquee firmemente en su lugar sobre la parte trasera del alojamiento de la batería **11**.

Conexión de Manija Auxiliar (Fig. A, C)

1. Coloque la manija auxiliar **4** en la parte superior de la base de la manija **20** de modo que el poste superior de la podadora **15** esté entre ellos.
2. Sostenga la manija auxiliar en su lugar y deslice los pernos de la manija **21** en la manija desde la parte superior, enroscándolos en la base de la manija.
3. Apriete los pernos de la manija con la llave hexagonal suministrada. Asegúrese que la manija esté bien asegurada.

Conexión de protección (Fig. D, E)

⚠️ ADVERTENCIA: Nunca retire la protección. Podría resultar en daño o lesiones personales.

⚠️ ADVERTENCIA: **NUNCA OPERE EL APARATO SIN LA PROTECCIÓN FIRMEMENTE EN SU LUGAR.** La protección siempre debe estar conectada adecuadamente en el aparato para proteger al usuario.

1. Ensamble la protección **9** en el alojamiento del motor **5**.
2. Con un destornillador de cruz, inserte los 2 tornillos de la protección **19** y apriételes firmemente.

NOTA: Una protección de cobertura extendida está disponible (se vende por separado) para una cobertura adicional si lo desea. Utilice el protector de repuesto número de pieza N776035 para unidades de tipo 1 o N890579 para unidades de tipo 2, 10 y superiores.

OPERACIÓN

⚠️ ADVERTENCIA: Para reducir el riesgo de lesiones personales, apague la unidad y retire el paquete de batería antes de realizar cualquier ajuste o retirar/instalar conexiones o accesorios. Una activación de arranque accidental puede causar lesiones.

Cómo Instalar y Retirar la Unidad de Batería (Fig. F)

NOTA: Para mejores resultados, verifique que su unidad de batería esté completamente cargada.

Para instalar la unidad de batería **12** en el mango de la herramienta, alinee la unidad de batería con los rieles en el interior del mango de la herramienta y deslícela en el mango hasta que la unidad de batería quede firmemente insertada en la herramienta; verifique que ésta no se salga sola.

Para retirar la unidad de batería de la herramienta, presione el botón de liberación **13** y tire firmemente de la de batería para sacarla del mango de la herramienta. Insértela en el cargador.

Colocación adecuada de manos (Fig. G)

⚠️ ADVERTENCIA: Para reducir el riesgo de lesiones personales serias, **SIEMPRE** use la posición de las manos adecuada como se muestra.

⚠️ ADVERTENCIA: Para reducir el riesgo de lesiones personales serias, **SIEMPRE** sostenga firmemente en anticipación de una reacción repentina.

⚠️ ADVERTENCIA: Utilice siempre una protección para los ojos adecuada que cumpla con la norma ANSI Z87.1 (CAN / CSA Z94.3) mientras opera este aparato.

⚠️ ADVERTENCIA: Retire la batería antes de realizar cualquier ensamble, ajuste o cambio de accesorios. Tales medidas preventivas de seguridad reducen el riesgo de encender la **PODADORA** por accidente.

⚠️ ATENCIÓN: Antes de comenzar a recortar, utilice sólo el tipo de línea de corte apropiado.

⚠️ ATENCIÓN: Revise el área a recortar y retire cualquier alambre, cuerda u objetos similares a cuerdas que pudieran enredarse en la línea giratoria o en el carrete. Tenga especial cuidado para evitar cualquier alambre que pueda doblarse hacia fuera en la trayectoria del aparato, tal como púas en la base de una cerca de eslabón de cadena.

La posición de manos adecuada requiere una mano en la manija principal **14** y la otra sobre la manija auxiliar **4**.

Encendido y apagado de podadora (Fig. A)

Para encender el aparato, presione el botón de bloqueo en apagado **2** y después el gatillo de velocidad variable **1**. Para apagar el aparato, libere el gatillo de velocidad variable y el botón de bloqueo de apagado.

⚠️ ADVERTENCIA: Nunca intente bloquear el gatillo en la posición de encendido.

Interruptor de control de velocidad (Fig. A)

Esta podadora de hilo le da la opción de operar a una velocidad más eficiente para extender el tiempo de operación para trabajos más grandes, o acelerar la velocidad de la podadora para un corte de alto rendimiento.

Para extender el tiempo de operación, empuje el interruptor de control de velocidad **3** hacia la manija auxiliar **4** hacia la posición "LO". Este modo es el mejor para proyectos más grandes que requieren más tiempo para completarse.

Para acelerar la podadora, jale el interruptor de control de velocidad hacia el alojamiento de la batería **11** en la posición "HI". Este modo es el mejor para cortar un crecimiento más intenso y para aplicaciones que necesitan RPM más altas.

NOTA: Cuando está en modo "HI", el tiempo de operación se disminuirá conforme se compara cuando la podadora está en el modo "LO".

Podá (Fig. H, I)

Con la podadora encendida, coloque en ángulo y gire lentamente de lado a lado como se muestra en la Fig. I. Mantenga una distancia mínima de 24" (610 mm) entre la protección y sus pies como se muestra en la Fig. H.

⚠️ ADVERTENCIA: Mantenga la cuerda giratoria aproximadamente paralela al suelo (inclinada no más de 30 grados). Esta podadora no es una bordeadora. **NO INCLINE** la podadora para que la cuerda gire cerca de un ángulo recto con respecto al suelo. Los desechos arrojados pueden causar lesiones serias.

Alimentación de línea de podadora de alimentación de tope

Su podadora usa una línea de nylon de 0,080" (2,0 mm) de diámetro. La línea de corte se desgastará más rápido y requiere más alimentación si el corte se realiza a lo largo de aceras u otras superficies abrasivas o hierbas más pesadas están siendo cortadas.

Al usar la podadora, la cuerda se acortará debido al desgaste. Golpee suavemente la podadora en el suelo mientras funciona a velocidad normal y se alimentará la línea.

NOTA: Extender la línea de nylon más allá de la franja de 14" (355 mm) afectará negativamente el rendimiento, el tiempo de funcionamiento y la vida útil de la podadora debido al potencial de dañar el motor. Hacerlo puede anular la garantía.

Consejos útiles de corte

- Utilice la punta de la cuerda para hacer el corte; no fuerce la cabeza de la cuerda en césped sin cortar.
- Las cercas de alambre y picos causan un desgaste extra en las cuerdas, incluso ruptura. Piedra y paredes de ladrillo, aceras y madera pueden desgastar la cuerda rápidamente.
- No permita que la tapa del carrete arrastre sobre el suelo u otras superficies.
- En crecimiento largo, corte de arriba abajo y no exceda 12" (304,8 mm) de alto.
- Mantenga la desbrozadora inclinada hacia el área que se está cortando; ésta es la mejor zona de corte.
- La desbrozadora corta al pasar la unidad de izquierda a derecha. Esto evitará arrojar residuos al operador.
- Evite árboles y arbustos. Corteza de árbol, molduras de madera, revestimiento, y los postes de cerca pueden dañarse fácilmente por la cuerda.

MANTENIMIENTO

⚠ ADVERTENCIA: Para reducir el riesgo de lesiones personales, apague la unidad y retire el paquete de batería antes de realizar cualquier ajuste o retirar/instalar conexiones o accesorios. Una activación de arranque accidental puede causar lesiones.

Tratamientos de mantenimiento (Fig. J)

- Mantenga limpias las ranuras de entrada de aire **26** para evitar el sobrecalentamiento (Fig. J).
- La línea de su podadora puede secarse con el tiempo. Para mantener su línea en perfectas condiciones, almacene la línea de repuesto en una bolsa de plástico sellable con una cucharada de agua.
- Las partes de plástico se pueden limpiar con un jabón suave y un trapo húmedo.
- El cortador de línea en el borde de la protección puede perder filo con el tiempo. Se recomienda retocar periódicamente el filo de la hoja con una lima.

Limpieza

⚠ ADVERTENCIA: Sople la suciedad y el polvo de todos los conductos de ventilación con aire seco, al menos una vez por semana. Para reducir el riesgo de lesiones, utilice siempre protección para los ojos aprobada ANSI Z87.1 al realizar esta tarea.

⚠ ADVERTENCIA: Nunca utilice solventes ni otros químicos abrasivos para limpiar las piezas no metálicas de la herramienta. Estos productos químicos pueden debilitar los materiales plásticos utilizados en estas piezas. Utilice un paño humedecido sólo con agua y jabón neutro. Nunca permita que penetre líquido dentro de la herramienta ni sumerja ninguna de las piezas en un líquido.

Accesorios

⚠ ADVERTENCIA: Debido a que no se han probado con este producto otros accesorios que no sean los que ofrece DEWALT, el uso de dichos accesorios con esta herramienta podría ser peligroso. Para reducir el riesgo de lesiones, con este producto deben usarse sólo los accesorios recomendados por DEWALT.

Los accesorios que se recomiendan para utilizar con la herramienta están disponibles a un costo adicional en su distribuidor local o en un centro de mantenimiento autorizado. Si necesita ayuda para localizar algún accesorio, póngase en contacto con DEWALT, llame al **1-800-4-DEWALT (1-800-433-9258)** o visite nuestro sitio web: www.dewalt.com.

Accesorios de Reemplazo

⚠ ADVERTENCIA: Para reducir el riesgo de lesiones personales, apague el aparato y retire la batería antes de realizar cualquier ajuste o retirar/instalar conexiones o accesorios.

⚠ ADVERTENCIA: El uso de cualquier accesorio no recomendado por DEWALT para uso con este aparato podría ser peligroso.

⚠ ADVERTENCIA: No use ninguna cuchilla ni ningún accesorio o conexión que no sean los recomendados por DEWALT en esta podadora. Se pueden producir lesiones graves o daños al producto.

Use la línea de reemplazo DEWALT Modelo No. DWO1DT801 o DWO1DT802.

Cuando reemplace la línea, sólo use línea de 0,080" (2,0 mm) de diámetro (Se recomienda el Modelo No. DWO1DT801 o DWO1DT802). Otros tamaños pueden degradar el rendimiento o causar daños a la podadora.

Recarga de línea de corte (Fig. K–M)

⚠ ADVERTENCIA: Para reducir el riesgo de lesiones personales, apague la unidad y retire el paquete de batería antes de realizar cualquier ajuste o retirar/instalar conexiones o accesorios, cuando reemplace la línea, o antes de la limpieza. Un arranque accidental puede causar lesiones.

⚠ ATENCION: Utilice únicamente carretes y línea de repuesto DEWALT. El uso de la línea de cualquier otro fabricante puede reducir el desempeño, dañar la podadora o causar lesiones personales.

Su cortadora usa una línea de 0,080" (2,0 mm) de diámetro que tiene forma de espiral con bordes redondos lisos. No use otros tamaños de línea. Esto puede degradar el rendimiento, causar daños a la unidad o lesiones.

⚠ ATENCION: Para evitar daños del aparato, si la línea de corte sobresale más allá de la cuchilla de corte, córtela de modo que sólo llegue a la cuchilla.

Sólo use línea de reemplazo DEWALT.

1. Retire la batería.
2. Corte una longitud máxima de 20' (6 m) de la línea de podadora de 0,080" (2,0 mm).

- Alinee los ojales del alojamiento del carrete **22** con la flecha **23** en la cubierta de sujeción del carrete **25**, como se muestra en la Fig. K.
- Pase un extremo de la línea de la podadora a través de un ojal. Guíe la línea hasta el segundo ojal y continúe jalando la línea hasta que haya longitudes iguales de cuerda en cada lado del alojamiento del carrete como se muestra en la Fig. L.
- Evite que la tapa del carrete se mueva con una mano. Con la otra mano, enrolle la cuerda en el carrete girando la cubierta de sujeción del carrete en el sentido contrario a las manecillas del reloj. Continúe enrollando hasta que queden 5" (130 mm) de cuerda en cada lado del alojamiento del carrete.

Reemplazo de ensamble de carrete (Fig. A, N)

- Gire el alojamiento del carrete **10** hasta que el orificio **27** de la placa del husillo se alinee con la muesca **28** del alojamiento del motor. Inserte un destornillador a través de la muesca y en el orificio, para evitar que el husillo gire.
 - Desatornille y retire el alojamiento del carrete girando la cubierta de sujeción del carrete **25** en el sentido de las manecillas del reloj.
- NOTA:** No intente retirar el carrete girando el alojamiento del carrete **24**.
- Retire la placa del husillo **30** antes de instalar un nuevo carrete. Retire la suciedad y el césped del alojamiento del motor y de la placa del husillo.
 - Instale la placa del husillo **30** en el husillo **29**, de modo que la tuerca de retención en forma de doble D en el husillo se encuentre dentro de la base de la placa del husillo.
 - Alinee el orificio y la muesca de la placa del eje, inserte un destornillador en el orificio y atornille el nuevo alojamiento del carrete en sentido contrario a las manecillas del reloj. Apriete firmemente el nuevo alojamiento del carrete sobre el husillo **29**.

Reemplazo de protección (Fig. O)

Una protección de cobertura extendida está disponible (se vende por separado) para una cobertura adicional si lo desea. Use la protección de reemplazo DEWALT Número de Parte N890579.

⚠ ADVERTENCIA: *Nunca opere el aparato sin la protección firmemente en su lugar.*

- Retire los 2 tornillos de la protección **19**.
- Sujete la protección como se describe en la sección **Conexión de protección**.

Pliegue para almacenamiento o transporte (Fig. A, B, P)

La podadora de cuerda se puede plegar para almacenamiento o transporte. Para colocar la podadora de cuerda en posición plegada, consulte **Extensión y pliegue del poste**.

Reparaciones

El cargador y las unidades de batería no pueden ser reparados. El cargador y la unidad de batería no contienen piezas reparables.

⚠ ADVERTENCIA: *Para asegurar la SEGURIDAD y la CONFIABILIDAD del producto, las reparaciones, el mantenimiento y los ajustes (inclusive la inspección y el cambio de las escobillas, cuando proceda)*

deben ser realizados en un centro de mantenimiento en la fábrica DEWALT u en un centro de mantenimiento autorizado DEWALT. Utilice siempre piezas de repuesto idénticas.

Para reparación y servicio de sus herramientas eléctricas, favor de dirigirse al Centro de Servicio más cercano

CULIACAN, SIN

Bldv. Emiliano Zapata 5400-1 Poniente Col. (667) 717 89 99
San Rafael

GUADALAJARA, JAL

Av. La Paz #1779 - Col. Americana Sector (33) 3825 6978
Juárez

MEXICO, D.F.

Eje Central Lázaro Cárdenas No. 18 - Local (55) 5588 9377
D, Col. Obrera

MERIDA, YUC

Calle 63 #459-A - Col. Centro (999) 928 5038

MONTERREY, N.L.

Av. Francisco I. Madero 831 Poniente - Col. (818) 375 23 13
Centro

PUEBLA, PUE

17 Norte #205 - Col. Centro (222) 246 3714

QUERETARO, QRO

Av. San Roque 274 - Col. San Gregorio (442) 2 17 63 14

SAN LUIS POTOSI, SLP

Av. Universidad 1525 - Col. San Luis (444) 814 2383

TORREON, COAH

Bldv. Independencia, 96 Pte. - Col. Centro (871) 716 5265

VERACRUZ, VER

Prolongación Díaz Mirón #4280 - Col. Remes (229) 921 7016

VILLAHERMOSA, TAB

Constitución 516-A - Col. Centro (993) 312 5111

PARA OTRAS LOCALIDADES:

Si se encuentra en México, por favor llame al (55) 5326 7100

Si se encuentra en U.S., por favor llame al 1-800-4-DEWALT (1-800-433-9258) o visite nuestro sitio web: www.dewalt.com

Poliza de Garantía

IDENTIFICACIÓN DEL PRODUCTO:

Sello o firma del Distribuidor.

Nombre del producto: _____

Mod./Cat.: _____

Marca: _____

Núm. de serie: _____

(Datos para ser llenados por el distribuidor)

Fecha de compra y/o entrega del producto:

Nombre y domicilio del distribuidor donde se adquirió el producto:

Este producto está garantizado por un año a partir de la fecha de entrega, contra cualquier defecto en su funcionamiento, así como en materiales y mano de obra empleados para su fabricación. Nuestra garantía incluye la reparación o reposición del producto y/o componentes sin cargo alguno para el cliente, incluyendo mano de obra, así como los gastos de transportación razonablemente erogados derivados del cumplimiento de este certificado.

Para hacer efectiva esta garantía deberá presentar su herramienta y esta póliza sellada por el establecimiento comercial donde se adquirió el producto, de no contar con ésta, bastará la factura de compra.

Excepciones

Esta garantía no será válida en los siguientes casos:

- *Cuando el producto se hubiese utilizado en condiciones distintas a las normales;*
 - *Cuando el producto no hubiese sido operado de acuerdo con el instructivo de uso que se acompaña;*
 - *Cuando el producto hubiese sido alterado o reparado por personas distintas a las enlistadas al final de este certificado.*
- Anexo encontrará una relación de sucursales de servicio de fábrica, centros de servicio autorizados y franquiciados en la República Mexicana, donde podrá hacer efectiva su garantía y adquirir partes, refacciones y accesorios originales.

Solamente para propósito de México:

Importado por: DeWALT S.A de C.V.

Antonio Dovali Jaime #70 Torre C Piso 8

Col. Santa Fe Alvaro Obregon,

Ciudad de Mexico, Mexico.

C.P 01210

TEL(52) 55 53267100

R.F.C.BDE8106261W7

Registro en Línea

Gracias por su compra. Registre su producto ahora para:

- **SERVICIO EN GARANTÍA:** Si completa esta tarjeta, podrá obtener un servicio en garantía más eficiente, en caso de que exista un problema con su producto.

- **CONFIRMACIÓN DE PROPIEDAD:** En caso de una pérdida que cubra el seguro, como un incendio, una inundación o un robo, el registro de propiedad servirá como comprobante de compra.

- **PARA SU SEGURIDAD:** Si registra el producto, podremos comunicarnos con usted en el caso improbable que se deba enviar una notificación de seguridad conforme a la Federal Consumer Safety Act (Ley Federal de Seguridad de Productos para el Consumidor).

Registro en línea en www.dewalt.com/account-login.

Garantía Limitada de Tres Años

Para los términos de garantía, visite www.dewalt.com/support/warranty.

Para solicitar una copia escrita de los términos de garantía, póngase en contacto con: Servicio al Cliente en DeWALT Industrial Tool Co., 701 East Joppa Road, Towson, MD 21286 o llame al **1-800-4-DeWALT (1-800-433-9258)**.

AMÉRICA LATINA: Esta garantía no aplica a productos vendidos en América Latina. Para productos vendidos en América Latina, consulte la información de garantía específica contenida en el empaque, llame a la compañía local o consulte la página de Internet respecto a la información de garantía.

REEMPLAZO GRATUITO DE ETIQUETA DE ADVERTENCIA:

Si sus etiquetas de advertencia se vuelven ilegibles o faltan, llame al **1-800-4-DeWALT (1-800-433-9258)** para reemplazo gratuito.

**Compatible battery packs and chargers / Blocs-piles et chargeurs compatibles /
Baterías y cargadores compatibles**

Battery Packs Bloc-piles Baterías	DCB201, DCB203, DCB203G, DCB204, DCB204BT, DCB205, DCB205G, DCB205BT, DCB206, DCB208, DCB210, DCB230, DCB240, DCBP034, DCBP520, DCB606, DCB609, DCB609G, DCB612, DCB615
Chargers Chargeurs Cargadores	DCB094, DCB102, DCB103, DCB104, DCB107, DCB112, DCB113, DCB115, DCB118, DCB132, DCB1102, DCB1104, DCB1106, DCB1112

- ⚠ WARNING:** *Use of any other battery packs may create a risk of injury and fire.*
- ⚠ AVERTISSEMENT:** *utiliser d'autres blocs-piles peut créer un risque de blessure ou d'incendie.*
- ⚠ ADVERTENCIA:** *El uso de cualquier otro paquete de batería puede crear un riesgo de lesiones e incendio.*

NOTE: DO NOT charge when the battery pack is below 40 ° F (4.5 ° C) or above 104 ° F (40 ° C). Do not store or use the tool and battery pack in locations where the temperature may reach or exceed 104 ° F (40 ° C).

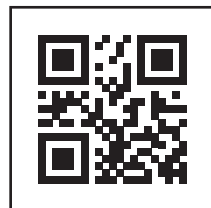
REMARQUE: NE PAS charger lorsque le bloc-piles est en dessous de 4,5 ° C (40 ° F) ou au-dessus de 40 ° C (104 ° F). Ne pas entreposer ou utiliser l'outil et le bloc-piles dans des endroits où la température peut atteindre ou excéder 40 ° C (104 ° F).

NOTA: NO cargue cuando el paquete de batería esté debajo de 4,5 ° C (40 ° F), o arriba de 40 ° C (104 ° F). No almacene ni use la herramienta y el paquete de baterías en lugares donde la temperatura pueda alcanzar o exceder los 40 ° C (104 ° F).

** Maximum initial battery voltage (measured without a workload) is 20, 60 or 120 volts. Nominal voltage is 18, 54 or 108. (120V Max* is based on using 2 DeWALT 60V Max* lithium-ion batteries combined.)*

** La tension initiale maximum du bloc-piles (mesurée à vide) est de 20, 60 ou 120 volts. La tension nominale est de 18, 54 ou 108. (120V max* se base sur l'utilisation combinée de 2 blocs-piles au lithium ion DeWALT de 60V max*.)*

** El máximo voltaje inicial de la batería (medido sin carga de trabajo) es 20, 60 o 120 voltios. El voltaje nominal es de 18, 54 o 108V. (120V Máx* se basan en el uso de 2 baterías de iones de litio DeWALT de 60V Máx* combinadas.)*



PART NUMBER

DeWALT Industrial Tool Co., 701 East Joppa Road, Towson, MD 21286
Copyright © 2019, 2022, 2024 DeWALT

The following are trademarks for one or more DeWALT power tools: the yellow and black color scheme, the "D" shaped air intake grill, the array of pyramids on the handgrip, the kit box configuration, and the array of lozenge-shaped humps on the surface of the tool.