

If you have questions or comments, contact us.  
Pour toute question ou tout commentaire, nous contacter.

Si tiene dudas o comentarios, contáctenos.

1-800-4-DEWALT • www.dewalt.com

INSTRUCTIVO DE OPERACIÓN, CENTROS DE SERVICIO Y PÓLIZA DE GARANTÍA. **ADVERTENCIA:** LEASE ESTE INSTRUCTIVO ANTES DE USAR EL PRODUCTO.

INSTRUCTION MANUAL  
GUIDE D'UTILISATION  
MANUAL DE INSTRUCCIONES

# DEWALT®

DW085  
Self-Leveling 5 Beam Laser Pointer  
Pointeur laser autonivelant 5 faisceaux  
Puntero láser de 5 rayos de autonivelación

DEWALT Industrial Tool Co., 701 East Joppa Road, Baltimore, MD 21286  
(MAR13) Part No. N203313 DW085 Copyright © 2013 DEWALT

The following are trademarks for one or more DEWALT power tools: the yellow and black color scheme, the "D" shaped air intake grill, the array of pyramids on the handgrip, the kit box configuration, and the array of lozenge-shaped humps on the surface of the tool.

## Definitions: Safety Guidelines

The definitions below describe the level of severity for each signal word. Please read the manual and pay attention to these symbols.

**⚠ DANGER:** Indicates an imminently hazardous situation which, if not avoided, will result in **death or serious injury**.

**⚠ WARNING:** Indicates a potentially hazardous situation which, if not avoided, could result in **death or serious injury**.

**⚠ CAUTION:** Indicates a potentially hazardous situation which, if not avoided, may result in **minor or moderate injury**.

**NOTICE:** Indicates a practice **not related to personal injury** which, if not avoided, may result in **property damage**.

IF YOU HAVE ANY QUESTIONS OR COMMENTS ABOUT THIS OR ANY DEWALT TOOL, CALL US TOLL FREE AT: 1-800-4-DEWALT (1-800-433-9258).



**WARNING:** To reduce the risk of injury, read the instruction manual.

## Safety Instructions for Lasers



**WARNING!** Read all safety warnings and all instructions. Failure to follow the warnings and instructions may result in electric shock, fire and/or serious injury.

### SAVE ALL WARNINGS AND INSTRUCTIONS FOR FUTURE REFERENCE

**⚠ WARNING! Laser Radiation Exposure. Do not disassemble or modify the laser level. There are no user serviceable parts inside. Serious eye injury could result.**


**⚠ WARNING: Hazardous Radiation.** Use of controls or adjustments or performance of procedures other than those specified herein may result in hazardous radiation exposure.

- **Do not operate the laser in explosive atmospheres, such as in the presence of flammable liquids, gases, or dust.** Power tools create sparks which may ignite the dust or fumes.
- **Use the laser only with the specifically designated batteries.** Use of any other batteries may create a risk of fire.
- **Store idle laser out of reach of children and other untrained persons.** Lasers are dangerous in the hands of untrained users.
- **Use only accessories that are recommended by the manufacturer for your model.** Accessories that may be suitable for one laser, may create a risk of injury when used on another laser.
- **Tool service must be performed only by qualified repair personnel.** Service or maintenance performed by unqualified personnel may result in injury. To locate your nearest DEWALT service center call 1-800-4-DEWALT (1-800-433-9258) or go to [www.dewalt.com](http://www.dewalt.com) on the Internet.
- **Do not use optical tools such as a telescope or transit to view the laser beam.** Serious eye injury could result.
- **Do not place the laser in a position which may cause anyone to intentionally or unintentionally stare into the laser beam.** Serious eye injury could result.
- **Turn the laser off when it is not in use.** Leaving the laser on increases the risk of staring into the laser beam.
- **Do not disassemble the laser tool.** There are no user serviceable parts inside.
- **Do not modify the laser in any way.** Modifying the tool may result in Hazardous Laser Radiation Exposure.
- **Do not operate the laser around children or allow children to operate the laser.** Serious eye injury may result.
- **Do not remove or deface warning labels.** Removing labels increases the risk of exposure to radiation.
- **Position the laser securely on a level surface.** Damage to the laser or serious injury could result if the laser falls.

- The label on your tool may include the following symbols.

V..... volts

mW..... milliwatts

 ..... laser warning symbol

nm..... wavelength in nanometers

## WARNING LABELS

For your convenience and safety, the following label is on your laser.

**⚠ CAUTION: LASER RADIATION - DO NOT STARE INTO BEAM. CLASS 2 LASER PRODUCT.**

## Laser Information

The DW085 laser level is a class 2 laser product and complies with 21 CFR 1040.10 and 1040.11 except for deviations pursuant to laser notice No. 50, dated June 24, 2007.

## INTRODUCTION

The DW085 laser level is a self-leveling laser tool that can be used for horizontal (level) and vertical (plumb) alignment and square alignment. This tool comes fully assembled. This tool has been designed with features that allow for quick and easy set-up. Please read and understand all instructions within this instruction manual prior to use.

## General Safety Rules For Battery Operated Tools

**⚠ WARNING!** Read and understand all instructions. Failure to follow all instructions listed below may result in electric shock, fire and/or serious personal injury.

## WORK AREA

- **Keep your work area clean and well lit.** Cluttered or dark areas invite accidents.
- **Do not operate power tools in explosive atmospheres, such as in the presence of flammable liquids, gases, or dust.** Power tools create sparks which may ignite the dust or fumes.
- **Keep children and bystanders away while operating a power tool.** Distractions can cause you to lose control.

## ELECTRICAL SAFETY

- **Use battery operated tool only with the specifically designed batteries.** Use of any other batteries may create a risk of fire.

## Battery

This tool is powered by four LR6 (AA-size) batteries.

### To install batteries:

1. Lift up the battery compartment cover (A) as shown in Figure 1.
2. Insert four fresh AA batteries in the compartment, placing the batteries according to (+), (-) markings on battery door.

**⚠ WARNING: Batteries can explode, or leak, and can cause injury or fire.** To reduce this risk:

- Carefully follow all instructions and warnings on the battery label and package.
- Always insert batteries correctly with regard to polarity (+ and -), marked on the battery and the equipment.
- Do not short battery terminals.
- Do not charge batteries.
- Do not mix old and new batteries. Replace all of them at the same time with new batteries of the same brand and type.
- Remove dead batteries immediately and dispose of per local codes.
- Do not dispose of batteries in fire.
- Keep batteries out of reach of children.
- Remove batteries if the device will not be used for several months.

## PERSONAL SAFETY

- **Stay alert, watch what you are doing and use common sense when operating a power tool. Do not use tool while tired or under the influence of drugs, alcohol, or medication.** A moment of inattention while operating power tools may result in serious personal injury.
- **Dress properly. Do not wear loose clothing or jewelry. Keep your hair, clothing and gloves away from moving parts.** Loose clothes, jewelry or long hair can be caught in moving parts.
- **Do not overreach. Keep proper footing and balance at all times.** This enables better control of the power tool in unexpected situations.
- **Use personal protective equipment. Always wear eye protection.** Protective equipment such as dust mask, non-skid safety shoes, hard hat, or hearing protection used for appropriate conditions will reduce personal injuries.

## TOOL USE AND CARE

- **Do not use tool if switch does not turn it on or off.** Any tool that cannot be controlled with the switch is dangerous and must be repaired.
- **Store idle power tools out of the reach of children and do not allow persons unfamiliar with the power tool or these instructions to operate the power tool.** Power tools are dangerous in the hands of untrained users.
- **Use only accessories that are recommended by the manufacturer for your model.** Accessories that may be suitable for one tool, may become hazardous when used on another tool.

## SERVICE

- **Have your power tool serviced by a qualified repair person using only identical replacement parts.** This will ensure that the safety of the power tool is maintained.

## Operating Tips

- Use only new, high-quality batteries for best results.
- Ensure batteries are in good working condition. If the low battery indicator light is flashing, the batteries need replacement.
- To extend battery life, turn laser off when not working with or marking the beam.
- To ensure the accuracy of your work, check to make sure your laser is calibrated often. See **Field Calibration Check**.
- Before attempting to use the laser, make sure it is positioned securely, on a smooth, flat surface.
- Always mark the center of the dot or pattern created by the laser.
- Extreme temperature changes may cause movement of internal parts that can affect accuracy. Check your accuracy often while working. See **Field Calibration Check**.
- If the laser has been dropped, check to make sure your laser is calibrated. See **Field Calibration Check**.

## LOW BATTERY INDICATOR (FIG. 2)

The DW085 is equipped with a low battery indicator (B), as shown in Figure 2. The red indicator light is located on top of the tool. When the light flashes, the batteries are low and need to be replaced. The laser may continue to operate for a short time while the batteries continue to drain. After fresh batteries are installed and the laser is turned on again, the red indicator light will stay off. (A flashing laser beam is not caused by low batteries; see **Out of Tilt Range Indicator**.)

## OPERATION

### Turning the Laser On and Off (Fig. 3)

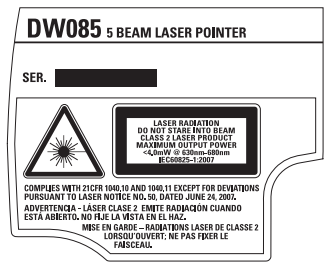
- With the laser off, place it on a stable, flat surface. Turn the laser on by rotating the on/off lever (C) so it points up. It will then project five beams; one up (D), one down (E), one horizontal to the left, (F), one horizontal to the right (G), and one straight ahead (H).
- To turn the laser off, rotate the on/off lever (C) down to its horizontal position. Beams will no longer be projected.

### Locking Pendulum (Fig. 3)

The DW085 is equipped with a locking pendulum mechanism. This feature is only activated when the laser is switched off. When the on/off lever (C) is rotated to the ON position, the pendulum will be released from the locked position and self level.

## Using the Laser

The beams are level or plumb as long as the calibration has been checked (see **Field Calibration Check**) and the laser beam is not flashing (see **Out of Tilt Range Indicator**). The tool can be used to transfer points using any combination of the five beams.



### INTEGRATED MAGNETIC PIVOTING BRACKET (FIG. 3)

The DW085 has a magnetic pivoting bracket (I) permanently attached to the unit. This bracket allows the unit to be mounted to any upright surface made of steel or iron using the magnets (J) located on the back of the pivoting bracket. Common examples of suitable surfaces include steel framing studs, steel door frames and structural steel beams. Position the laser on a stable surface.

**▲ CAUTION: Do not stand underneath the laser when it is mounted with the magnetic pivoting bracket.** Serious personal injury or damage to the laser may result if the laser falls.

The pivoting bracket also provides floor clearance of approximately 1-3/4" (44.5 mm) which aids in the installation of steel framing track.

### OUT OF TILT RANGE INDICATOR (FIG. 4)

The DW085 laser is designed to self-level. If the laser has been tilted so much that it cannot level itself (> 4° tilt), it will flash the laser beam. The flashing beam indicates the tilt range has been exceeded and IS NOT LEVEL (OR PLUMB) AND SHOULD NOT BE USED FOR DETERMINING OR MARKING LEVEL (OR PLUMB). Try repositioning the laser on a more level surface.

### USING THE LASER WITH ACCESSORIES

The laser is equipped with a 1/4" x 20 female thread on the bottom of the unit. This thread is to accommodate current or future DEWALT accessories. Only use DEWALT accessories specified for use with this product. Follow the directions included with the accessory.

**▲ WARNING: Since accessories, other than those offered by DEWALT, have not been tested with this product, use of such accessories with this tool could be hazardous. To reduce the risk of injury, only DEWALT recommended accessories should be used with this product.**

Recommended accessories for use with your tool are available at extra cost from your local dealer or authorized service center. If you need assistance in locating any accessory, please contact DEWALT Industrial Tool Co., 701 East Joppa Road, Baltimore, MD 21286, call 1-800-4-DEWALT (1-800-433-9258) or visit our website: www.dewalt.com.

### ALIGNING THE SQUARE LAYOUT - FINE ADJUST (FIG. 2)

The fine adjustment knob (R) on the side of the DW085 is for lining up the horizontal beams. Place the DW085 on a flat surface and turn the knob to the right to move the beam to the right or to the left to move the beam to the left. Rotating the fine adjustment knob adjusts the entire internal mechanism, maintaining the 90° angle between the three horizontal dots.

### LEVELING THE LASER

This tool is self-leveling. It is calibrated at the factory to find plumb as long as it is positioned on flat surface within 4° of level. As long as the tool is properly calibrated, no manual adjustments must be made.

### MAINTENANCE

To maintain the accuracy of your work, have the laser checked often to make sure it is properly calibrated. See **Field Calibration Check**.

Calibration checks and other maintenance repairs may be performed by DEWALT service centers. When not in use, store the laser in the kit box provided. Do not store your laser at temperatures below -5 °F (-20 °C) or above 140 °F (60 °C).

Do not store your laser in the kit box if the laser is wet. The laser should be dried first with a soft dry cloth.

### Cleaning

Exterior plastic parts may be cleaned with a damp cloth. Although these parts are solvent resistant, NEVER use solvents. Use a soft dry cloth to remove moisture from the tool before storage.

### Field Calibration Check

#### CHECKING ACCURACY – PLUMB (FIG. 5–6)

Checking the plumb calibration of the laser can be most accurately done when there is a substantial amount of vertical height available, ideally 25' (7.5 m), with one person on the floor positioning the laser and another person near a ceiling to mark the dot created by the beam on the ceiling (Fig. 5). It is important to conduct a calibration check using a distance no shorter than the distance of the applications for which the tool will be used.

1. Start by marking a point on the floor.
2. Place the laser so that the down beam is centered on the point marked on the floor.
3. Allow time for the laser to settle to plumb and mark the center of the beam created by the up beam.
4. Turn the laser 180° as shown (Fig. 6), making sure that the down beam is still centered on the point previously marked on the floor.
5. Allow time for the laser to settle to plumb and mark the center of the dot created by the up beam.

If the measurement between the two marks is greater than shown below, the laser is no longer in calibration.

Ceiling Height	Measurement Between Marks
25' (7.5 m)	0.18" (4.5 mm)
50' (15 m)	0.35" (9.0 mm)

#### CHECKING ACCURACY - LEVEL (FIG. 7–10)

Checking the level calibration of the laser unit requires two parallel walls at least 20' (6 m) apart. It is important to conduct a calibration check using a distance no shorter than the distance of the applications for which the tool will be used.

1. Place unit 2"-3" (5-8 cm) from first wall, facing the wall (Fig. 7).
2. Mark the beam position on the first wall.
3. Turn the unit 180°, and mark the beam position on the second wall (Fig. 8).
4. Place the unit 2"-3" (5-8 cm) from the second wall, facing the wall (Fig. 9).
5. Adjust the height of the unit until the beam hits the mark from step 3.
6. Turn the unit 180°, and aim the beam near the mark on the first wall from step 2 (Fig. 10).
7. Measure the vertical distance between the beam and the mark.
8. If the measurement is greater than the values shown below, the laser must be serviced at an authorized service center.

Repeat steps 1 through 8 to check the front beam, left beam, and right beam.

Distance Between Walls	Measurement Between Marks
25' (7.5 m)	1/8" (3 mm)
50' (15 m)	1/4" (6 mm)
75' (23 m)	3/8" (9 mm)

#### CHECKING LEVEL TO SQUARE BEAM 90° ACCURACY (FIG. 11A–D)

Refer to Figure 11 for the location of the DW085 at each step and for the location of the marks made at each step. All marks can be made on the floor by placing a target in front of the level or square beam and transferring the location to the floor.

1. Find a room at least 35' (10 m) long. Mark a point (K) on the floor at one end of the room (Fig. 11A).
2. Set up the laser so that its down beam is over point K. Make sure the front level beam points toward the far end of the room (Fig. 11A).
3. Mark a point (L) on the floor at the center of the room using a target to transfer the front level beam location to the floor (Fig. 11A).
4. Mark a point (M) on the far wall or transfer the front level beam location to the floor (Fig. 11A).
5. Move the DW085 to point L and align the front level beam to point M again (Fig. 11B).
6. Mark the location of two square beams as N and O on the floor.  
**NOTE:** To ensure accuracy, the distances from K to L, L to M, L to N, and L to O should be equal.
7. Turn the DW085 90° so the front level beam aligns to point N (Fig. 11C).
8. Mark the location of a first square beam (P) on the floor as close as possible to point K (Fig. 11C).
9. Measure the distance between points K and P (Fig. 11C). If the measurement is greater than the values indicated in the chart below, the laser must be serviced at an authorized service center.
10. Next, turn the DW085 90° so that the front level beam aligns to point O (Fig. 11D).
11. Mark the location of a second square beam (Q) on the floor as close as possible to point K (Fig. 11D).

12. Measure the distance between points K and Q (Fig. 11D). If the measurement is greater than the values indicated in the chart below, the laser must be serviced at an authorized service center.

Distance Between Marks (K to M)	Measurement Between Marks (K to P, or K to Q)
25' (7.5 m)	1/8" (3 mm)
50' (15 m)	1/4" (6 mm)
75' (23 m)	3/8" (9 mm)

### Troubleshooting

#### THE LASER DOES NOT TURN ON

- Make sure batteries are installed according to (+), (-) markings on battery door.
- Make sure the batteries are in proper working condition. If in doubt, try installing new batteries.
- Make sure that the battery contacts are clean and free of rust or corrosion. Be sure to keep the laser level dry and use only new, high-quality batteries to reduce the chance of battery leakage.
- If the laser has been stored in extremely hot temperatures, allow it to cool.

#### THE LASER BEAMS FLASH (FIG. 4)

The DW085 laser level has been designed to self-level up to 4° in all directions when positioned as shown in Figure 4. If the laser is tilted so much that internal mechanism cannot plumb itself, it will flash the laser—the tilt range has been exceeded. THE FLASHING BEAMS CREATED BY THE LASER ARE NOT LEVEL OR PLUMB AND SHOULD NOT BE USED FOR DETERMINING OR MARKING LEVEL OR PLUMB. Try repositioning the laser on a more level surface.

#### THE LASER BEAMS WILL NOT STOP MOVING

The DW085 is a precision instrument. Therefore, if it is not positioned on a stable (and motionless) surface, the tool will continue to try to find plumb. If the beam will not stop moving, try placing the tool on a more stable surface. Also, try to make sure that the surface is relatively flat, so that the laser is stable.

### Service and Repairs

**NOTE:** Disassembling the laser level will void all warranties on the product.

FIG. 1

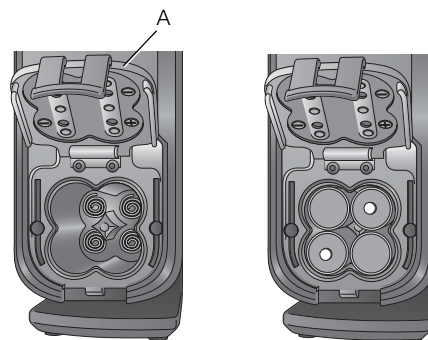


FIG. 2

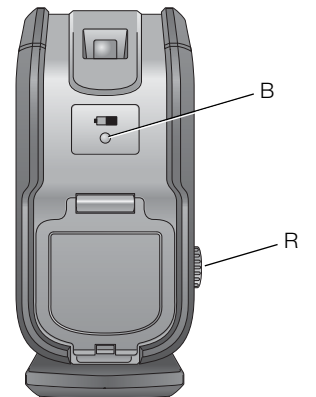


FIG. 3

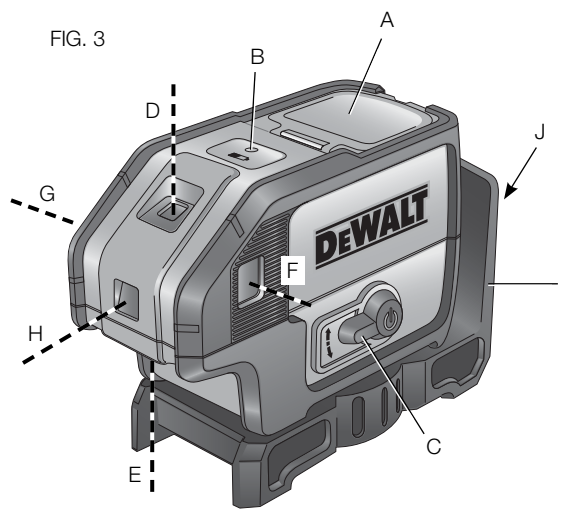


FIG. 4

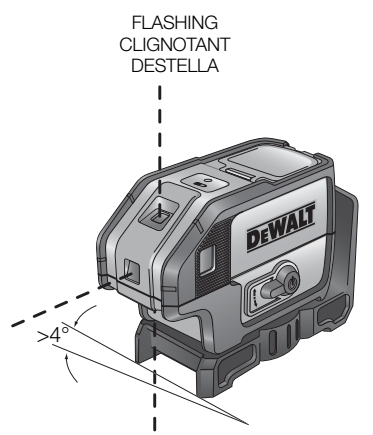


FIG. 5

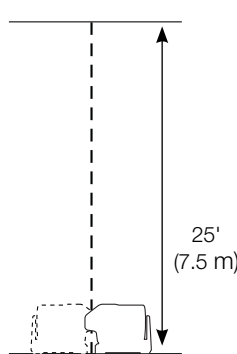


FIG. 6

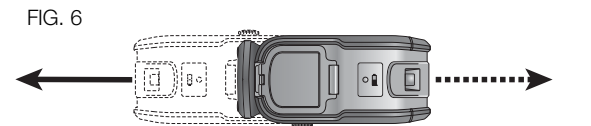


FIG. 7

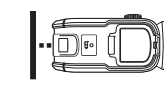


FIG. 9

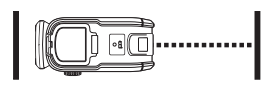


FIG. 8

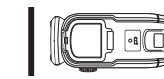


FIG. 10

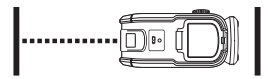


FIG. 11A

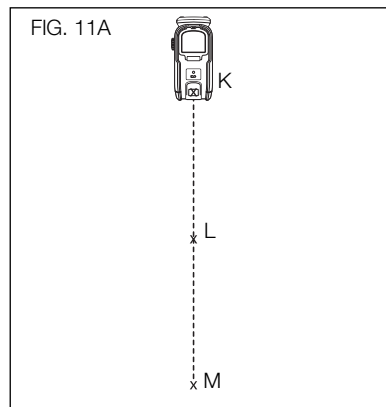


FIG. 11B

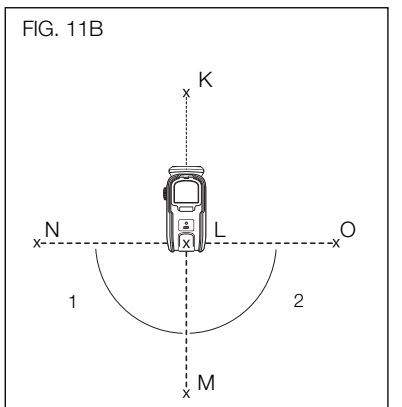


FIG. 11C

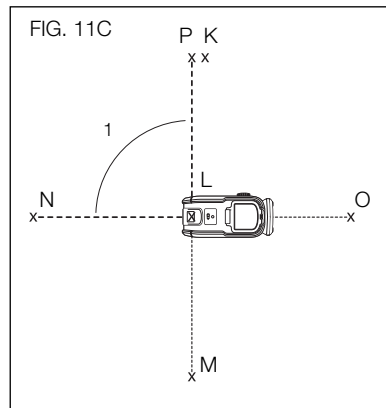
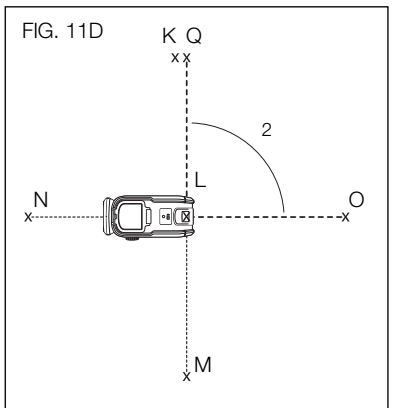


FIG. 11D



To assure product SAFETY and RELIABILITY, repairs, maintenance and adjustment should be performed by authorized service centers. Service or maintenance performed by unqualified personnel may result in a risk of injury. To locate your nearest DEWALT service center call 1-800-4-DEWALT (1-800-433-9258) or visit our website: www.dewalt.com.

SPECIFICATIONS	
Light Source	Semiconductor laser diode
Laser Wavelength	630–680 nm visible
Laser Power	<4.0 mW (each beam) CLASS 2 LASER PRODUCT
Working Range	±100' (30 m)
Accuracy* (Up)	± 1/4" @ 100' (±6 mm @ 30 m)
Accuracy* (Level)	± 1/4" @ 100' (±6 mm @ 30 m)
Indicators	Flashing Indicator: battery low Flashing Laser: tilt range exceeded
Power Source	4 AA size batteries (6.0V DC)
Operating Temperature	20 °F to 120 °F (-10 °C to 50 °C)
Storage Temperature	-5 °F to 140 °F (-20 °C to 60 °C)
Environmental	Water resistant

\*Accuracy spec assumes laser is positioned on a surface within 4° of level.

## Register Online

Thank you for your purchase. Register your product now for:

- **WARRANTY SERVICE:** Registering your product will help you obtain more efficient warranty service in case there is a problem with your product.
- **CONFIRMATION OF OWNERSHIP:** In case of an insurance loss, such as fire, flood or theft, your registration of ownership will serve as your proof of purchase.
- **FOR YOUR SAFETY:** Registering your product will allow us to contact you in the unlikely event a safety notification is required under the Federal Consumer Safety Act.

Register online at [www.dewalt.com/register](http://www.dewalt.com/register).

## Three Year Limited Warranty

DEWALT will repair, without charge, any defects due to faulty materials or workmanship for three years from the date of purchase. This warranty does not cover part failure due to normal wear or tool abuse. For further detail of warranty coverage and warranty repair information, visit [www.dewalt.com](http://www.dewalt.com) or call 1-800-4-DEWALT (1-800-433-9258). This warranty does not apply to accessories or damage caused where repairs have been made or attempted by others. This warranty gives you specific legal rights and you may have other rights which vary in certain states or provinces.

In addition to the warranty, DEWALT tools are covered by our:

### 1 YEAR FREE SERVICE

DEWALT will maintain the tool and replace worn parts caused by normal use, for free, any time during the first year after purchase.

### 2 YEARS FREE SERVICE ON DEWALT BATTERY PACKS

DC9071, DC9091, DC9096, DC9280, DC9360, DC9180, DCB120, DCB201 and DCB203

### 3 YEARS FREE SERVICE ON DEWALT BATTERY PACKS

DCB200, DCB204

### DEWALT BATTERY PACKS

Product warranty voided if the battery pack is tampered with in any way. DEWALT is not responsible for any injury caused by tampering and may prosecute warranty fraud to the fullest extent permitted by law.

### 90 DAY MONEY BACK GUARANTEE

If you are not completely satisfied with the performance of your DEWALT Power Tool, Laser, or Nailer for any reason, you can return it within 90 days from the date of purchase with a receipt for a full refund – no questions asked.

**LATIN AMERICA:** This warranty does not apply to products sold in Latin America. For products sold in Latin America, see country specific warranty information contained in the packaging, call the local company or see website for warranty information.

**FREE WARNING LABEL REPLACEMENT:** If your warning labels become illegible or are missing, call 1-800-4-DEWALT (1-800-433-9258) for a free replacement.



## Définitions : lignes directrices en matière de sécurité

Les définitions ci-dessous décrivent le niveau de danger pour chaque mot-indicateur employé. Lire le mode d'emploi et porter une attention particulière à ces symboles.

**⚠ DANGER :** indique une situation dangereuse imminente qui, si elle n'est pas évitée, **entraînera la mort ou des blessures graves.**

**⚠ AVERTISSEMENT :** indique une situation potentiellement dangereuse qui, si elle n'est pas évitée, **pourrait entraîner la mort ou des blessures graves.**

**⚠ ATTENTION :** indique une situation potentiellement dangereuse qui, si elle n'est pas évitée, **pourrait entraîner des blessures légères ou modérées.**

**AVIS :** Indique une pratique ne posant **aucun risque de dommages corporels** mais qui par contre, si rien n'est fait pour l'éviter, **pourrait poser des risques de dommages matériels.**

POUR TOUTE QUESTION OU REMARQUE AU SUJET DE CET OUTIL OU DE TOUT AUTRE OUTIL DEWALT, COMPOSEZ LE NUMÉRO SANS FRAIS : 1-800-4-DEWALT (1-800-433-9258).

**⚠ AVERTISSEMENT :** afin de réduire le risque de blessures, lire le mode d'emploi de l'outil.

## Avertissements de sécurité généraux pour les outils électriques

**⚠ AVERTISSEMENT!** Lire tous les avertissements de sécurité et toutes les directives. Le non-respect des avertissements et des directives pourrait se solder par un choc électrique, un incendie et/ou une blessure grave.

### CONSERVER TOUS LES AVERTISSEMENTS ET TOUTES LES DIRECTIVES POUR UN USAGE ULTÉRIEUR

**⚠ AVERTISSEMENT :** Exposition à des radiations laser. Ne pas démonter ou modifier le niveau laser. Il ne comporte à l'intérieur aucune pièce réparable par l'utilisateur. De sérieuses lésions oculaires pourraient en résulter.

**⚠ AVERTISSEMENT :** Radiation dangereuse. Toute utilisation des commandes ou exécution des procédures ou tout réglage non conforme aux spécifications incluses dans les présentes pose des risques d'exposition à des radiations laser dangereuses.

- **Ne pas utiliser le laser dans une atmosphère explosive, comme en présence de liquide, de gaz ou de poussière inflammable.** Les outils électriques peuvent engendrer des étincelles qui pourraient enflammer toute émanation ou poussière environnante.
- **N'utiliser que des piles spécialement conçues pour les lasers;** l'usage de tout autre type de pile pourrait entraîner des risques d'incendie.

- **Lorsqu'on n'utilise pas le laser, le ranger hors de la portée des enfants ou des personnes non qualifiées;** les lasers sont dangereux entre les mains de personnes inexpérimentées.
- **N'utiliser que les accessoires recommandés par le fabricant pour le modèle concerné;** un accessoire destiné à un laser particulier peut devenir dangereux lorsqu'il est utilisé avec un autre.
- **L'outil doit être entretenu par le personnel qualifié seulement; tout entretien effectué par une personne non qualifiée pourrait entraîner des risques de blessure.** Pour trouver le centre de service DEWALT le plus proche, appeler le 1-800-4-DEWALT (1-800-433-9258) ou se rendre sur le site Internet [www.dewalt.com](http://www.dewalt.com).
- **Ne pas utiliser un dispositif optique, tel qu'un télescope ou une lunette de passage, pour examiner le faisceau laser afin d'éviter de blesser grièvement les yeux.**
- **Ne pas mettre le laser dans une position qui pourrait encourager une personne à regarder directement le faisceau laser, volontairement ou involontairement, car cela pourrait blesser grièvement les yeux.**
- **Mettre le laser hors tension après chaque utilisation,** car un laser laissé sous tension augmente les risques que quelqu'un regarde directement le faisceau laser.
- **Ne pas démonter l'outil laser.** Il ne comporte à l'intérieur aucune pièce réparable par l'utilisateur.
- **Ne modifier le laser en aucune façon.** Le fait de modifier l'outil pose des risques d'exposition à des radiations laser dangereuses.
- **Ne pas utiliser le laser en présence d'un enfant, ni autoriser les enfants à utiliser le laser afin d'éviter les blessures graves aux yeux.**
- **Ne pas retirer ni abîmer les étiquettes d'avertissement;** le fait de retirer les étiquettes augmentera les risques d'exposition aux radiations laser.
- **S'assurer de bien déposer le laser sur une surface de niveau afin de l'empêcher de tomber et de s'endommager ou de blesser l'utilisateur.**
- L'étiquette apposée sur l'outil peut afficher les symboles suivants :  
V ..... volts  
mW ..... milliwatts  
☀ ..... symbole d'avertissement laser  
nm ..... longueur d'onde exprimée en nanomètres

## ÉTIQUETTES D'AVERTISSEMENT

Pour des raisons de commodités et de sécurité, l'étiquette suivante est apposée sur ce produit.

**⚠ ATTENTION : RADIATION LASER - NE AMAIS FIXER LE FAISCEAU LASER DES YEUX. APPAREIL LASER DE CLASSE 2.**

## Informations relatives au laser

Le niveau laser DW085 est un appareil laser de classe 2 conforme aux réglementations 21 CFR 1040.10 et 1040.11 excepté pour ce qui concerne certaines déviations relatives à la décision n° 50 en date du 24 juin 2007.

## INTRODUCTION

Le niveau laser DW085 est un outil laser auto-nivelant qui peut être utilisé pour l'alignement horizontal (niveau), vertical (aplomb) ou l'équerrage. Cet outil est assemblé d'usine. Ses caractéristiques ont été conçues pour permettre un réglage facile et rapide. Veuillez lire et comprendre toutes les directives de ce manuel avant toute utilisation.

## Réglés de sécurité concernant les outils à piles - généralités

**⚠ AVERTISSEMENT :** Lire, comprendre et suivre toutes les directives précisées ci-dessous afin d'éviter les risques de choc électrique, d'incendie ou de blessure grave.

## SÉCURITÉ DU LIEU DE TRAVAIL

- **Tenir l'aire de travail propre et bien éclairée.** Les lieux encombrés ou sombres sont propices aux accidents.
- **Ne pas utiliser les outils électriques dans une atmosphère explosive, comme à proximité de liquides, de gaz ou de poussières inflammables;** le moteur peut créer des étincelles et enflammer les vapeurs ou les poussières environnantes.
- **Éloigner les enfants et les personnes à proximité pendant l'utilisation d'un outil électrique.** Une distraction pourrait en faire perdre la maîtrise à l'utilisateur.

## MESURES DE SÉCURITÉ- ÉLECTRICITÉ

- **N'utiliser l'outil à piles qu'avec les piles désigné,** car l'utilisation d'un autre type de piles peut entraîner un risque d'incendie.

## Piles

Cet appareil fonctionne sur quatre piles AA.

### Pour installer les piles :

1. Ouvrir le couvercle du compartiment des piles (A) comme illustré en figure 1.
2. Insérer quatre piles AA neuves dans le compartiment, en s'assurant de bien les disposer conformément aux signes (+) et (-) sur le volet de fermeture.

**⚠ AVERTISSEMENT :** Les piles peuvent exploser ou fuir, et posent des risques de blessure ou d'incendie. Pour réduire ces risques :

- Suivre attentivement toute instruction ou tout avertissement inclus sur l'étiquette ou l'emballage des piles.
- Lors de l'installation, toujours respecter la polarité (+ et -) inscrite sur les piles et le matériel.
- Ne pas court-circuiter les bornes.
- Ne pas recharger les piles.
- Ne pas mélanger des piles neuves avec des piles usagées. Les remplacer toutes en même temps avec des piles de la même marque ou du même type.
- Retirer les piles mortes immédiatement et s'en débarrasser conformément à la réglementation locale.
- Ne pas jeter les piles au feu.
- Conserver les piles hors de la portée des enfants.
- Retirer les piles lorsque l'appareil n'est pas utilisé pendant plusieurs mois.

## SÉCURITÉ PERSONNELLE

- **Rester vigilant en tout temps et faire preuve de jugement lorsqu'on utilise un outil électrique.** Ne pas utiliser l'outil lorsqu'on est fatigué ou sous l'influence de drogues, d'alcool ou de médicaments, car un moment d'inattention pourrait entraîner des blessures graves.
- **S'habiller de manière appropriée.** Ne pas porter de vêtements amples ni de bijoux. Garder les cheveux, les vêtements et les gants à l'écart des pièces mobiles. Les vêtements amples, les bijoux ou les cheveux longs risquent de rester coincés dans les pièces mobiles.
- **Ne pas trop tendre les bras.** Conserver son équilibre en tout temps. Cela permet de mieux maîtriser l'outil électrique dans les situations imprévues.
- **Utiliser des équipements de protection individuelle.** Toujours porter une protection oculaire. L'utilisation d'équipements de protection comme un masque antipoussière, des chaussures antidérapantes, un casque de sécurité ou des protecteurs auditifs lorsque la situation le requiert réduira les risques de blessures corporelles.

## UTILISATION ET ENTRETIEN DE L'OUTIL

- **Ne pas utiliser l'outil lorsque l'interrupteur marche-arrêt ne fonctionne pas.** Tout outil qui ne peut être commandé au moyen de l'interrupteur est dangereux et doit être réparé.
- **Ranger les outils électriques hors de la portée des enfants et ne permettre à aucune personne n'étant pas familière avec un outil électrique ou son mode d'emploi d'utiliser cet outil.** Les outils électriques deviennent dangereux entre les mains d'utilisateurs inexpérimentés.
- **N'utiliser que les accessoires recommandés par le fabricant pour le modèle concerné.** Un accessoire destiné à un outil particulier peut devenir dangereux lorsqu'il est utilisé avec un autre.

## ENTRETIEN

- **Faire réparer l'outil électrique par un réparateur professionnel en n'utilisant que des pièces de rechange identiques.** Cela permettra de maintenir une utilisation sécuritaire de l'outil électrique.

## CONSEILS D'UTILISATION

- Pour des résultats optimums, n'utiliser que des piles neuves de qualité supérieure.*
- S'assurer que les piles fonctionnent correctement. Si le voyant de charge clignote, les piles doivent être changées.*
- Pour augmenter la durée de vie des piles, arrêter le laser en fin d'utilisation ou réglage du faisceau.*
- Pour assurer la précision de votre travail, vérifier souvent l'étalonnage du laser. Se reporter à la section **Vérification de l'étalonnage**.*
- Avant toute utilisation du laser, s'assurer qu'il est fermement placé sur une surface lisse et plane.*
- Toujours marquer le centre du point ou du motif émis par le laser.*
- Des changements extrêmes de température peuvent causer des fluctuations dans les pièces internes pouvant altérer la précision. **Vérifier souvent l'étalonnage pendant le travail.** Se reporter à la section **Vérification de l'étalonnage**.*
- S'assurer de bien vérifier l'étalonnage du laser en cas de chute de ce dernier. Se reporter à la section **Vérification de l'étalonnage**.*

### VOYANT DE CHARGE

Le pointeur laser DW085 est équipé d'un voyant de charge (B), comme illustré en figure 2. Ce voyant rouge est situé sur le dessus de l'outil. Un voyant clignotant indique que la charge des piles est basse et qu'il faut les remplacer. Le laser pourra fonctionner encore un moment alors que les piles continueront de se vider. Une fois que des piles neuves seront installées et que le laser sera remis en marche, le voyant rouge s'éteindra. (Des piles faibles ne sont pas la cause d'un faisceau clignotant; se reporter à la section **Voyant de défaut d'inclinaison**).

## UTILISATION

### Mise en marche et arrêt du laser (Fig. 3)

- Alors que le laser est arrêté, placez-le sur une surface plane et stable. Mettez le laser en marche en tournant le levier marche/arrêt (C) vers le haut. Il projettera alors cinq faisceaux : un vers le haut (D), un vers le bas (E), un horizontal vers la gauche (F), un horizontal vers la droite (G), et un droit devant (H).
- Pour arrêter le laser, mettez le levier marche/arrêt (C) dans sa position horizontale. Il n'y aura alors plus de projection de faisceaux.

### Dispositif de verrouillage pendulaire (Fig. 3)

Le DW085 est équipé d'un dispositif de verrouillage pendulaire. Cette fonctionnalité n'est activée que lorsque le laser est arrêté. Lorsque le levier marche/arrêt (C) est tourné en position de MARCHÉ, le dispositif pendulaire est libéré de sa position de verrouillage et s'auto nivelle.

### Utilisation du laser

Les faisceaux sont de niveau ou d'aplomb tant que l'étalonnage a été vérifié (se reporter à la section **Vérification de l'étalonnage**) ou qu'aucun faisceau ne clignote (se reporter à la section **Voyant de défaut d'inclinaison**).

L'appareil peut être utilisé pour transférer des points à l'aide des cinq faisceaux, peu importe leur combinaison.

### SUPPORT PIVOTANT MAGNÉTIQUE INTÉGRÉ (FIG. 3)

Le pointeur laser DW085 est muni d'un support pivotant magnétique (I) intégré de façon permanente à l'appareil. Ce support pivotant permet que l'appareil soit installé sur n'importe quelle surface en acier ou en fer à l'aide des aimants (J) situés à l'arrière du support. Les exemples de surfaces adéquates comprennent : supports de charpente en acier, dormants de porte en acier, et poutres de charpente en acier. Posez le laser sur une surface stable.

**▲ATTENTION : ne pas se tenir sous le laser lorsqu'il est monté sur le support pivotant magnétique.** *En cas de chute, le laser pourrait occasionner des dommages corporels graves ou subir des dommages matériels importants.*

Le support pivotant offre aussi un dégagement d'approximativement 44,5 mm (1-3/4 po) pour aider à l'installation de rails de construction métallique.

### VOYANT DE DÉFAUT D'INCLINAISON (FIG. 4)

Le laser DW085 a été conçu pour s'auto niveler. Si le laser a été penché de telle façon qu'il ne peut plus s'auto niveler (inclinaison > 4°), son faisceau clignoter. Le faisceau clignotant indique que la plage d'inclinaison a été dépassée et QUE LE LASER N'EST PLUS DE NIVEAU (OU D'APLOMB) ET NE DOIT PLUS TRE UTILISÉ POUR DÉTERMINER OU MARQUER LE NIVEAU (OU L'APLOMB). Essayer de repositionner le laser sur une surface plus plane.

### UTILISATION DU LASER AVEC DES ACCESSOIRES

Le laser est équipé d'un filetage femelle de 6,35 mm (1/4 po) x 20 sur sa partie inférieure. Ce filetage est destiné à accommoder des accessoires DEWALT existants et futurs. N'utiliser que les accessoires DEWALT spécifiques à ce produit. Suivre les instructions fournies avec l'accessoire.

**▲AVERTISSEMENT : puisque les accessoires autres que ceux offerts par DEWALT n'ont pas été testés avec ce produit, leur utilisation pourrait s'avérer dangereuse. Pour réduire le risque de blessures, utiliser exclusivement les accessoires DEWALT recommandés avec le présent produit.**

Les accessoires recommandés pour cet outil sont vendus séparément au centre de service de votre région. Pour obtenir de l'aide concernant l'achat d'un accessoire, communiquer avec DEWALT Industrial Tool Co., 701 East Joppa Road, Baltimore, MD 21286 aux États-Unis; composer le 1 800 433-9258 (1 800 4-DEWALT) ou visiter notre site Web : www.dewalt.com.

### ALIGNEMENT DE L'ÉQUERRAGE - RÉGLAGE DE PRÉCISION (FIG. 2)

Le bouton de réglage de précision (R) sur le côté du DW085 sert à l'alignement des faisceaux horizontaux. Placez le DW085 sur une surface plane puis tournez le bouton vers la droite pour déplacer le faisceau vers la droite ou la gauche pour le déplacer vers la gauche. La rotation du bouton de réglage de précision permet le réglage du mécanisme interne, dans son entier, en maintenant un angle de 90° entre les trois points horizontaux.

### NIVELAGE DU LASER

Cet outil s'auto nivelle. Il a été étalonné d'usine pour trouver l'aplomb tant qu'il sera posé sur une surface plane dans un rayon de 4°. Tant que l'appareil est correctement étalonné, aucun réglage manuel n'est nécessaire.

## ENTRETIEN

Pour maintenir la précision de votre travail, vérifier souvent le laser pour s'assurer qu'il est correctement étalonné. Se reporter à la section **Vérification de l'étalonnage**.

L'étalonnage et toute autre réparation d'entretien peuvent être fait par les centres de service DEWALT.

Après utilisation, ranger le laser dans la mallette fournie à cet effet. Ne pas l'entreposer à des températures inférieures à -20 °C (-5 °F) ou supérieures à 60 °C (140 °F).

Ne pas ranger le laser dans sa mallette s'il est humide. Le sécher tout d'abord avec un linge sec et doux.

## Nettoyage

Les parties externes plastifiées peuvent être nettoyées à l'aide d'un linge humide. Bien que ces parties soient résistantes aux solvants, NE JAMAIS utiliser de solvants. Utiliser un chiffon sec et doux pour éliminer toute condensation sur l'appareil avant de le ranger.

## Vérification de l'étalonnage

### VÉRIFICATION DE LA PRÉCISION – APLOMB (FIG. 5–6)

La vérification de l'aplomb du laser est plus précise lorsqu'elle est effectuée sur une verticale de longueur substantielle, idéalement 7,5 m (25 pi), avec une personne au sol pour positionner le laser et une autre près du plafond pour y marquer le point créé par le faisceau (Fig. 5). Il est important de faire un étalonnage sur une longueur supérieure à la distance des applications pour lequel l'appareil est destiné.

- Commencer par faire une marque au sol.
- Placer le laser de telle façon que le faisceau vers le bas soit centré sur la marque au sol.
- Laisser assez de temps au laser pour se mettre de niveau puis marquer le centre du point créé par le faisceau vers le haut.
- Tourner le laser de 180° comme illustré en (figure 6), en s'assurant de le placer de telle façon que le faisceau vers le bas reste centré sur le point fait au sol.
- Laisser assez de temps au laser pour trouver l'aplomb puis marquer le centre du point créé par le faisceau vers le haut.

Si la distance entre les deux repères est supérieure à celle indiquée ci-dessous, le laser est hors calibre.

Hauteur sous plafond	Mesures entre les marques
7,5 m (25 pi)	4,5 mm (0,18 po)
15 m (50 pi)	9,0 mm (0,35 po)

### VÉRIFICATION DE LA PRÉCISION – NIVEAU (FIG. 7–10)

Pour étalonner le laser, utiliser deux murs parallèles à au moins 6 m (20 pi) l'un de l'autre. Il est important de faire un étalonnage sur une longueur supérieure à celle des applications pour lequel l'appareil est destiné.

- Placer l'appareil de 5 à 8 cm (2 à 3 po) du premier mur, face à ce mur (Fig. 7).
- Marquer la position du faisceau sur le premier mur.
- Faire tourner l'appareil de 180 °, et marquer la position du faisceau sur le second mur (Fig. 8).
- Placer l'appareil de 5 à 8 cm (2 à 3 po) du second mur, face à ce mur (Fig. 9).
- Régler la hauteur de l'appareil de façon à ce que le faisceau touche la marque de l'étape 3.
- Faire tourner l'appareil de 180 °, et diriger le faisceau vers la marque sur le premier mur de l'étape 2 (Fig. 10).
- Mesurer la verticale entre le faisceau et la marque.
- Si cette mesure est supérieure aux valeurs données ci-dessous, rapporter le laser à un centre de service autorisé pour entretien.

Répétez les étapes 1 à 8 pour vérifier le faisceau avant, le faisceau gauche et le faisceau droit.

Distance entre les murs	Mesures entre les marques
7,5 m (25 pi)	3 mm (1/8 po)
15 m (50 pi)	6 mm (1/4 po)
23 m (75 pi)	9 mm (3/8 po)

### VÉRIFICATION DE LA PRÉCISION DE L'ÉQUERRE DU FAISCEAU À 90° (FIG. 11A-D)

Reportez-vous à la figure 11 pour la position du DW085 à chaque étape et pour la position des repères effectués à chaque étape. Les repères peuvent être faits sur le sol en plaçant un objet devant le faisceau horizontal ou en équerre puis en transférant ce point sur le sol.

- Choisissez une pièce d'au moins 10 m (35 pi) de long. Faites un repère (K) sur le sol à une extrémité de la pièce (fig. 11A).
- Placez le laser de façon à ce que le faisceau vers le bas se trouve sur le point K. Assurez-vous que le faisceau horizontal pointe vers l'autre extrémité de la pièce (fig. 11A).
- Faites un repère (L) sur le sol au centre de la pièce en utilisant un objet pour transférer la location du faisceau horizontal avant sur le sol (fig. 11A).
- Faites un repère (M) sur le mur le plus éloigné ou transférez la location du faisceau horizontal sur le sol (fig. 11A).
- Placez le DW085 sur le repère L et réalignez le faisceau horizontal sur le repère M (fig. 11B).
- Marquez la location des deux faisceaux en équerre comme N et O sur le sol.
**REMARQUE :** pour assurer la précision, les distances entre K et L, L et M, L et N et L et O devraient être égales.
- Tournez le DW085 à 90° de façon à aligner le faisceau horizontal sur le point N (fig. 11C).
- Marquez la location du premier faisceau en équerre (P) sur le sol aussi près que possible du point K (fig. 11C).
- Mesurez la distance entre les points K et P (fig. 11C). Si les mesures sont supérieures aux valeurs indiquées par le tableau ci-dessous, rappez le laser chez un centre de réparation autorisé pour entretien.
- Puis, tournez le DW085 à 90° de façon à aligner le faisceau horizontal sur le point O (fig. 11D).
- Marquez la location du second faisceau en équerre (Q) sur le sol aussi près que possible du point K (fig. 11D).
- Mesurez la distance entre les points K et Q (fig. 11D). Si les mesures sont supérieures aux valeurs indiquées par le tableau ci-dessous, rappez le laser chez un centre de réparation autorisé pour entretien.

Distance entre les repères (K à M)	Mesures entre les repères (K à P, ou K à Q)
7,5 m (25 pi)	3 mm (1/8 po)
15 m (50 pi)	6 mm (1/4 po)
23 m (75 pi)	9 mm (3/8 po)

## Guide de dépannage

### LE LASER NE SE MET PAS EN MARCHÉ

- S'assurer que les piles sont bien installées conformément aux signes (+) et (–) sur le volet de fermeture.
- S'assurer que les piles fonctionnent correctement. En cas de doutes, changer les piles.
- S'assurer que les bornes sont propres et ne comportent ni rouille ni corrosion. Protéger le niveau laser de l'humidité, et n'utiliser que des piles neuves, de qualité supérieure, pour réduire tout risque de fuites.
- Si le laser a été entreposé à des températures ambiantes extrêmement élevées, le laisser refroidir.

### LE FAISCEAU LASER CLIGNOTE (FIG. 4)

Le laser DW085 a été conçu pour s'auto niveler dans les 4° en toute direction lorsqu'il est positionné comme illustré en figure 4. Si le laser est penché de telle façon que le mécanisme interne ne peut plus se mettre d'aplomb, son faisceau clignotera, la plage d'inclinaison aura été excédée. LES FAISCEAUX CLIGNOTANTS CRÉÉS ALORS PAR LE LASER NE SONT PLUS DE NIVEAU OU D'APLOMB ET NE DOIVENT PAS TRE UTILISÉS POUR DÉTERMINER OU MARQUER LE NIVEAU OU L'APLOMB. Essayer de repositionner le laser sur une surface plus plane.

### LE FAISCEAU LASER N'ARRÊTE PAS DE BOUGER

Le DW085 est un instrument de précision. Aussi, s'il n'est pas posé sur une surface stable (et immobile), l'outil continuera d'essayer de trouver l'aplomb. Si le faisceau laser n'arrête pas de bouger, essayer de poser l'appareil sur une surface plus stable. S'assurer aussi que la surface est relativement plane pour que le laser soit stable.

## Entretien et réparations

**REMARQUE :** Le fait de démonter le niveau laser annule toute garantie sur le produit.

Pour assurer la SÉCURITÉ et la FIABILITÉ de ce produit, toutes les opérations de réparation, d'entretien et de réglage doivent être effectuées dans un centre de service autorisé. Tout entretien ou maintenance effectué par une personne non qualifiée pose des risques de blessure. Pour trouver le centre de service DEWALT le plus proche, appeler le 1 800-433-9258 (1-800-4-DEWALT) ou visiter notre site Web : www.dewalt.com.

CARACTÉRISTIQUES TECHNIQUES	
Source lumineuse	Diode laser à semiconducteur
Longueur d'onde du laser	de 630 à 680 nm (visible)
Puissance laser	<4,0 mW (chaque faisceau) PRODUIT À LASER DE CLASSE 2
Portée	± 30 m (100 pi)
Précision* (haut)	± 6 mm à 30 m (± 1/4 po à 100 pi)
Précision* (niveau)	± 6 mm à 30 m (± 1/4 po à 100 pi)
Indicateurs	Voyant clignotant <span> </span> : pile faible <p>Laser clignotant<span> </span>: plage d'inclinaison dépassée</p>
Source d'alimentation électrique	4 piles AA (6,0 V c.c.)
Température de fonctionnement	-10 <span> </span> °C à 50 <span> </span> °C (20 <span> </span> °F à 120 <span> </span> °F)
Température d'entreposage	-20 <span> </span> °C à 60 <span> </span> °C (- 5 <span> </span> °F à 140 <span> </span> °F)
Environnement	Résistant à l'eau

\*Toute spécification de précision assume que le laser est posé sur une surface de niveau dans un rayon de 4 °.

## Registre en línea

Merci pour votre achat. Enregistrez dès maintenant votre produit:

- **RÉPARATIONS SOUS GARANTIE:** cette carte remplie vous permettra de vous prévaloir du service de réparations sous garantie de façon plus efficace dans le cas d'un problème avec le produit.
- **CONFIRMATION DE PROPRIÉTÉ:** en cas de perte provoquée par un incendie, une inondation ou un vol, cette preuve de propriété vous servira de preuve auprès de votre compagnie d'assurances.
- **SÉCURITÉ:** l'enregistrement de votre produit nous permettra de communiquer avec vous dans l'éventualité peu probable de l'envoi d'un avis de sécurité régi par la loi fédérale américaine de la protection des consommateurs.

Registre en línea à [www.dewalt.com/register](http://www.dewalt.com/register).

## Garantie limitée de trois ans

DEWALT reparera, sans frais, tout produit défectueux causé par un défaut de matériel ou de fabrication pour une période de trois ans à compter de la date d'achat. La présente garantie ne couvre pas les pièces dont la défectuosité a été causée par une usure normale ou l'usage abusif de l'outil. Pour obtenir de plus amples renseignements sur les pièces ou les réparations couvertes par la présente garantie, visiter le site [www.dewalt.com](http://www.dewalt.com) ou composer le 1 800 433-9258 (1 800 4-DEWALT). Cette garantie ne s'applique pas aux accessoires et ne vise pas les dommages causés par des réparations effectuées par un tiers. Cette garantie confère des droits légaux particuliers à l'acheteur, mais celui-ci pourrait aussi bénéficier d'autres droits variant d'un état ou d'une province à l'autre.

En plus de la présente garantie, les outils DEWALT sont couverts par notre :

### CONTRAT D'ENTRETIEN GRATUIT D'UN AN

DEWALT entretiendra l'outil et remplacera les pièces usées au cours d'une utilisation normale et ce, gratuitement, pendant une période d'un an à compter de la date d'achat.

### CONTRAT D'ENTRETIEN GRATUIT DE DEUX ANS SUR LES BLOC-PILES DEWALT

DC9071, DC9091, DC9096, DC9280, DC9360, DC9180, DCB120, DCB201 et DCB203

### CONTRAT D'ENTRETIEN GRATUIT DE TROIS ANS SUR LES BLOC-PILES DEWALT

DCB200, DCB204

### BLOCS-PILES DEWALT

La garantie de se produit sera annulée si le bloc-piles a été altéré de quelque façon que ce soit. DEWALT ne peut être tenu responsable de tout dommage corporel causé par l'altération du produit et pourra poursuivre toute fraude en matière de garantie dans toute l'étendue permise par la loi.

### GARANTIE DE REMBOURSEMENT DE 90 JOURS

Si l'acheteur n'est pas entièrement satisfait, pour quelque raison que ce soit, du rendement de l'outil électrique, du laser ou de la cloueuse DEWALT, celui-ci peut le retourner, accompagné d'un reçu, dans les 90 jours à compter de la date d'achat pour obtenir un remboursement intégral, sans aucun problème.

**AMÉRIQUE LATINE :** cette garantie ne s'applique aux produits vendus en Amérique latine. Pour ceux-ci, veuillez consulter les informations relatives à la garantie spécifique présente dans l'emballage, appeler l'entreprise locale ou consulter le site Web pour les informations relatives à cette garantie.

**REPLACEMENT GRATUIT DES ÉTIQUETTES D'AVERTISSEMENT :** si les étiquettes d'avertissement deviennent illisibles ou sont manquantes, composer le 1 800 433-9258 (1 800 4-DEWALT) pour en obtenir le remplacement gratuit.



## Definiciones: Normas de seguridad

Las siguientes definiciones describen el nivel de gravedad de cada palabra de señal. Lea el manual y preste atención a estos símbolos.

**⚠ PELIGRO:** Indica una situación de peligro inminente que, si no se evita, provocará **la muerte o lesiones graves**.

**⚠ ADVERTENCIA:** Indica una situación de peligro potencial que, si no se evita, **podría provocar la muerte o lesiones graves**.

**⚠ ATENCIÓN:** Indica una situación de peligro potencial que, si no se evita, **posiblemente provocaría lesiones leves o moderadas**.

**AVISO:** Se refiere a una práctica **no relacionada a lesiones corporales** que de no evitarse **puede resultar en daños a la propiedad**.

SI TIENE ALGUNA DUDA O ALGÚN COMENTARIO SOBRE ÉSTA U OTRA HERRAMIENTA DEWALT, LLÁMENOS AL NÚMERO GRATUITO: **1-800-4-DEWALT (1-800-433-9258)**.

**⚠ ADVERTENCIA:** Para reducir el riesgo de lesiones, lea el manual de instrucciones.

## Advertencias generales de seguridad para herramientas eléctricas


**⚠ ADVERTENCIA!** Lea todas las advertencias de seguridad e instrucciones. El incumplimiento de las advertencias e instrucciones puede provocar descargas eléctricas, incendios o lesiones graves.

### CONSERVE TODAS LAS ADVERTENCIAS E INSTRUCCIONES PARA FUTURAS CONSULTAS

**⚠ ADVERTENCIA!** Exposición a radiación láser. No desarme ni modifique el nivel láser. No contiene piezas que el usuario pueda reparar. Podría resultar en una lesión grave a los ojos.

**⚠ ADVERTENCIA:** Radiación peligrosa. El uso de controles o ajustes o la ejecución de procedimientos diferentes a los aquí especificados, pueden resultar en una exposición peligrosa a radiación.

- **No opere el láser en ambientes explosivos, tales como en presencia de líquidos, gases o polvos inflamables.** Las máquinas herramienta producen chispas que pueden inflamar el polvo o los vapores.
- **Sólo utilice las pilas específicamente designadas para el láser.** El uso de cualquier otro tipo de pila puede crear un riesgo de incendio.
- **Cuando no esté en uso, almacene el láser fuera del alcance de niños y otras personas no capacitadas en su funcionamiento.** Los láseres son peligrosos en manos de personas no capacitadas.
- **Utilice sólo aquellos accesorios que hayan sido recomendados por el fabricante para su modelo.** Algunos accesorios pueden ser apropiados para un modelo de láser pero pueden crear un riesgo de lesión cuando se utilizan con otro modelo.
- **El servicio a la herramienta sólo debe realizarlo personal calificado.** El servicio o mantenimiento realizados por personal no calificado puede dar como resultado un riesgo de lesiones. Para ubicar su centro de servicio DEWALT más cercano, llame al 1-800-4-DEWALT (1-800-433-9258) o vaya a [www.dewalt.com](http://www.dewalt.com) en la Internet.
- **No utilice herramientas ópticas tales como telescopios o niveles topográficos para ver el rayo láser.** Esto podría resultar en graves lesiones oculares.
- **No sitúe el láser en una posición que pudiera resultar, ya sea intencionadamente o sin querer, en que alguien mire directamente el rayo láser.** Esto podría resultar en graves lesiones oculares.

- **Apague el láser cuando no esté en uso.** Si lo deja encendido, aumentará el riesgo de que alguien mire directamente al rayo láser.
- **No desarme la herramienta láser.** No contiene piezas que el usuario pueda reparar.
- **Nunca modifique el láser.** La modificación de la herramienta podría resultar en una exposición peligrosa a radiación láser.
- **No opere el láser en la presencia de niños ni permita que niños operen el láser.** Esto podría resultar en graves lesiones oculares.
- **No quite ni escriba sobre las etiquetas de advertencia.** El hacer esto aumenta el riesgo de exposición a radiación.
- **Ponga el láser en un lugar seguro.** Si el láser se cayera, podría dañarse o causar lesiones graves
- La etiqueta de su herramienta puede incluir los siguientes símbolos.
  - V ..... voltios
  - mW ..... milivatios
  -  ..... símbolo de advertencia de láser
  - nm ..... Longitud de onda en nanómetros

## ETIQUETAS DE ADVERTENCIA

Para su beneficio y seguridad, la siguiente etiqueta se encuentra adherida a su láser.

**⚠ ATENCIÓN: RADIACIÓN LÁSER – NO MIRE DIRECTAMENTE AL RAYO LÁSER. PRODUCTO LÁSER CLASE 2.**

## Información sobre el láser

El nivel láser DW085 es un producto láser clase 2 en conformidad con 21 CFR 1040.10 y 1040.11, con la excepción de desviaciones expresadas en la notificación láser No. 50, con fecha 24 de junio de 2007.

## INTRODUCCIÓN

El nivel láser DW085 es una herramienta láser de autonivelación que puede utilizarse para alineación horizontal (nivel) y vertical (plomada) y para la alineación recta. Esta herramienta viene completamente ensamblada. Esta herramienta ha sido diseñada con funciones que permiten una configuración fácil y rápida. Lea detenidamente todas las instrucciones incluidas en este manual de instrucciones antes de usar la herramienta.

## Normas generales de seguridad para las herramientas que funcionan con

**⚠ ¡ADVERTENCIA!** Lea todas las instrucciones hasta comprenderlas. No ajustarse a las instrucciones siguientes puede ser causa de choque eléctrico, incendio o lesiones corporales graves.

## SEGURIDAD EN EL ÁREA DE TRABAJO

- **Mantenga el área de trabajo limpia y bien iluminada.** Las áreas abarrotadas y oscuras propician accidentes.
- **No opere las herramientas eléctricas en atmósferas explosivas, como ambientes donde haya polvo, gases o líquidos inflamables.** Las herramientas eléctricas originan chispas que pueden encender el polvo o los vapores.
- **Mantenga alejados a los niños y a los espectadores de la herramienta eléctrica en funcionamiento.** Las distracciones pueden provocar la pérdida de control.

## SEGURIDAD ELÉCTRICA

- **Las herramientas que operan con pilas se deben utilizar sólo con las pilas específicamente diseñadas para la herramienta.** La utilización de otras pilas comporta riesgo de incendio.

## Pilas

Esta herramienta funciona con cuatro pilas AA.

### Para instalar las pilas:

1. Levante la tapa del compartimiento de pilas (A), como lo muestra la Figura 1.
2. Inserte cuatro pilas AA nuevas en el compartimento, colocándolas de acuerdo con los signos (+), (-) en la puerta del compartimento de pilas.

**⚠ ADVERTENCIA:** Las pilas pueden explotar o tener fugas y pueden causar lesiones o incendios. Para reducir el riesgo:

- Siga bien todas las instrucciones y advertencias en la etiqueta y el paquete de la pila.
- Fíjese siempre que las pilas vayan insertadas en la dirección correcta de polaridad (+ y -), como aparece marcado en la pila y el equipo.
- No haga cortocircuito con los terminales de la pila.
- No cargue las pilas.
- No mezcle pilas viejas con pilas nuevas. Cámbielas todas al mismo tiempo por pilas nuevas de la misma marca y tipo.
- Si las pilas se gastan completamente, retírelas de inmediato y disponga de ellas de acuerdo a los códigos locales.
- No queme las pilas.
- Mantenga las pilas fuera del alcance de niños.
- Quite la pila si no utilizará el dispositivo por varios meses.

## SEGURIDAD PERSONAL

- **Al utilizar una herramienta eléctrica, esté atento, concéntrese en lo que hace y aplique el sentido común. No utilice la herramienta si se encuentra fatigado o bajo la influencia de drogas, alcohol o fármacos.** Mientras se utilizan herramientas eléctricas, basta un instante de distracción para sufrir lesiones graves.
- **Use la vestimenta adecuada. No use ropas holgadas ni joyas. Mantenga el cabello, la ropa y los guantes alejados de las piezas en movimiento.** Las ropas holgadas, las joyas o el cabello largo pueden quedar atrapados en las piezas en movimiento.
- **No se estire. Conserve el equilibrio y párese adecuadamente en todo momento.** Esto permite un mejor control de la herramienta eléctrica en situaciones inesperadas.
- **Retire la clavija de ajuste o la llave de tuercas antes de encender la herramienta eléctrica.** Una llave de tuercas o una clavija de ajuste que quede conectada a una pieza giratoria de la herramienta eléctrica puede provocar lesiones personales.

## USO Y CUIDADO DE LA HERRAMIENTA

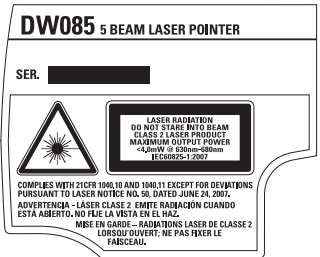
- **No utilice la herramienta si el interruptor no la enciende y apaga.** Cualquier herramienta que no pueda controlarse con el interruptor es peligrosa y se debe reparar.
- **Guarde la herramienta eléctrica que no esté en uso fuera del alcance de los niños y no permita que otras personas no familiarizadas con ella o con estas instrucciones operen la herramienta.** Las herramientas eléctricas son peligrosas si son operadas por usuarios no capacitados.
- **Utilice únicamente los accesorios recomendados por el fabricante para su modelo.** Un mismo accesorio puede ser adecuado para una herramienta, pero peligroso si se usa en otra.

## SERVICIO

- **Solicite a una persona calificada en reparaciones que realice el mantenimiento de su herramienta eléctrica y que sólo utilice piezas de repuesto idénticas.** Esto garantizará la seguridad de la herramienta eléctrica.

## Consejos de operación

- Para obtener los mejores resultados utilice únicamente pilas nuevas de alta calidad.
- Compruebe que las pilas estén en buenas condiciones de funcionamiento. Si el indicador de pila baja parpadea, deberá cambiar las pilas.
- Para prolongar la vida útil de las pilas, apague el láser cuando no lo esté usando o marcando con la ayuda del rayo.
- Para asegurar la precisión de su trabajo, compruebe con frecuencia el calibrado del láser. Refiérase a **Control de calibrado en el campo**.
- Antes de intentar utilizar el láser, asegúrese que esté dispuesto en forma segura, sobre una superficie plana y lisa.
- Marque siempre el centro del punto o patrón creado por el láser.
- Los cambios bruscos de temperatura pueden hacer que se muevan ciertas piezas internas que afectan el nivel de precisión. Compruebe con frecuencia el nivel de precisión mientras trabaja. Refiérase a **Control de calibrado en el campo**.



- Si el láser ha caído al suelo, compruebe que esté aún calibrado. Refiérase a **Control de calibrado en el campo**.*

#### INDICADOR DE PILA BAJA

El DW085 está equipado con un indicador de pila baja (B), como se muestra en la Figura 2. La luz indicadora roja está ubicada en la parte de arriba de la herramienta. Cuando la luz se pone intermitente, las pilas están gastadas y deben cambiarse. El láser puede seguir funcionando durante un período de tiempo corto mientras las pilas se siguen agotando. Una vez que se instalen nuevas pilas y se encienda de nuevo el láser, la luz indicadora roja se mantendrá apagada. (Las pilas gastadas no producen un rayo de láser intermitente; ver ***Indicador de rango de inclinación***).

## OPERACIÓN

### Cómo encender y apagar el láser (Fig. 3)

- Con el láser apagado, póngalo en una superficie plana estable. Encienda el láser girando la palanca de encendido/apagado (C) de forma que mire hacia arriba. Entonces proyectará cinco rayos; uno hacia arriba (D), uno hacia abajo (E), uno horizontal hacia la izquierda, (F), uno horizontal hacia la derecha (G), y uno recto hacia el frente (H).
- Para apagar el láser, gire la palanca de encendido/apagado (C) hacia abajo hasta su posición horizontal. Los rayos dejarán de proyectarse.

### Péndulo de bloqueo (Fig. 3)

El DW085 está equipado con un mecanismo de péndulo de bloqueo. Esta característica se activa solamente cuando el láser está apagado. Cuando la palanca de encendido/apagado (C) se gira hacia la posición de ENCENDIDO, el péndulo se liberará de la posición de bloqueo y se autonivelará.

### Uso del láser

Si la herramienta está calibrada y el rayo láser no está destellando (refiérase a ***Indicador de rango de inclinación***), los rayos estarán a nivel o plomada (refiérase a ***Control de calibrado en el campo***).

La herramienta puede utilizarse para transferir puntos utilizando una combinación de los cinco rayos.

#### SOPORTE MAGNÉTICO DE PIVOTE INTEGRADO (FIG. 3)

El DW085 tiene un soporte magnético de pivote (I) fijado permanentemente a la unidad. Este soporte permite que la unidad sea montada en cualquier superficie vertical de acero o hierro utilizando los imanes (J) ubicados en la parte de atrás del soporte de pivote. Ejemplos comunes de superficies adecuadas son pies derechos de acero, marcos de acero para puertas y vigas estructurales de acero. Coloque el láser sobre una superficie estable.

**▲ATENCIÓN: No se quede parado debajo del láser cuando el mismo esté montado con el soporte magnético de pivote.** Si el láser se cae, podría dañarse o provocar lesiones corporales graves.

El soporte de pivote proporciona también un margen de espacio hasta el piso de aproximadamente 44,5 mm (1-3/4"), lo cual ayuda en la instalación de guías de acero.

#### INDICADOR DE RANGO DE INCLINACIÓN (FIG. 4)

El láser DW085 está diseñado para autonivelarse. Si el láser ha sido inclinado de tal manera que no puede nivelarse (inclinación > 4°), el rayo láser destellará. Si el rayo láser destella, significa que el rango de inclinación ha sido sobrepasado y que NO ESTÁ A NIVEL (O PLOMADA) Y QUE NO DEBERÍA SER UTILIZADO PARA DETERMINAR O MARCAR NIVEL (O PLOMADA). Intente volver a colocar el láser sobre una superficie más pareja.

#### USO DEL LÁSER CON ACCESORIOS

El láser viene con un orificio de 6,35 mm (1/4") x 20 hilos en la parte inferior de la unidad. El hilo sirve para instalar accesorios DEWALT actuales o futuros. Use sólo accesorios DEWALT especificados para ser usados con este producto. Siga las indicaciones proporcionadas con el accesorio.

**▲ADVERTENCIA:** *Debido a que no se han probado con este producto otros accesorios que no sean los que ofrece DEWALT., el uso de dichos accesorios con esta herramienta podría ser peligroso. Para reducir el riesgo de lesiones, con este producto deben usarse sólo los accesorios recomendados por DEWALT.*

Los accesorios que se recomiendan para utilizar con la herramienta están disponibles a un costo adicional en su distribuidor local o en un centro de mantenimiento autorizado. Si necesita ayuda para localizar algún accesorio, póngase en contacto con DEWALT Industrial Tool Co., 701 East Joppa Road, Baltimore, MD 21286, llame al 1-800-4-DEWALT (1-800-433-9258) o visite nuestro sitio web: www.dewalt.com.

#### ALINEACIÓN DE LA DISPOSICIÓN RECTA - AJUSTE FINO (FIG. 2)

La perilla de ajuste fino (R) en el lado del DW085 es para alinear los rayos horizontales. Coloque el DW085 en una superficie plana y gire la perilla hacia la derecha para mover el rayo a la derecha o hacia la izquierda para moverlo a la izquierda. Al girar la perilla de ajuste fino se ajusta todo el mecanismo interno, manteniendo el ángulo de 90° entre los tres puntos horizontales.

#### NIVELACIÓN DEL LÁSER

Esta herramienta es de autonivelación. Se suministra calibrada de fábrica, siempre que se coloque en una superficie plana con menos de 4¼ de desnivel. Si la herramienta está adecuadamente calibrada, no deben hacerse ajustes manuales.

## MANTENIMIENTO

Para mantener la precisión de su trabajo, revise el láser con frecuencia para asegurarse que esté debidamente calibrado. Refiérase a ***Control de calibrado en el campo***.

Los centros de servicio DEWALT pueden hacer controles de calibrado y otras reparaciones de mantenimiento.

Guarde el láser en la caja proporcionada cuando no esté en uso. No guarde el láser a temperaturas menores que -5 °F (-20 °C) o mayores que 140 °F (60 °C).

No guarde el láser en su caja si está mojado. Seque primero el láser con un paño seco y suave.

## Limpieza

Las piezas exteriores de plástico se pueden limpiar con un paño húmedo. Aunque estas piezas son resistentes a solventes, NUNCA use solventes. Use un paño seco y suave para eliminar la humedad de la herramienta antes de guardarla.

## Control de calibrado en el campo

#### REVISIÓN DE PRECISIÓN – PLOMADA (FIG. 5–6)

Para una revisión más precisa del calibrado de plomada del láser, se debe tener acceso a un lugar con una altura vertical importante. Lo óptimo sería una altura de 7,5 m (25'). Una persona se debe parar sobre el piso y poner el láser en posición y la otra persona se debe parar cerca del techo para marcar el punto creado por el rayo láser sobre el techo (Fig. 5). Es importante comprobar el calibrado de la herramienta usando una distancia que no sea inferior a la de las aplicaciones para las que se va a usar la herramienta.

- Comience marcando un punto en el suelo.
- Sitúe el láser de forma que el rayo inferior se centre en el punto marcado en el suelo.
- Espere unos minutos para dejar que el láser se fije en la plomada y marque el centro del punto creado por el rayo superior.
- Gire el láser 180° como aparece ilustrado (Fig. 6), asegurándose que el rayo inferior siga centrado en el punto previamente marcado sobre el piso.
- Espere unos minutos para dejar que el láser se fije en la plomada y marque el centro del punto creado por el rayo superior.

Si la medición entre las dos marcas es mayor de lo que se muestra más abajo, el láser ya no está calibrado.

Altura del techo	Medida entre marcas
7,5 m (25')	4,5 mm (0,18")
15 m (50')	9,0 mm (0,35")

#### REVISIÓN DE PRECISIÓN - NIVEL (FIG. 7–10)

El control de calibrado de nivel de la unidad láser requiere dos paredes paralelas que se encuentren a un mínimo de 6 m (20') de distancia entre sí. Es importante comprobar el calibrado de la herramienta usando una distancia que no sea inferior a la de las aplicaciones para las que se va a usar la herramienta.

- Coloque la unidad entre 5 y 8 cm (2–3") de la primera pared, mirando hacia la pared (Fig. 7).
- Marque la posición del rayo sobre la primera pared.

- Gire la unidad 180° y marque la posición del rayo sobre la segunda pared (Fig. 8).
- Coloque la unidad entre 5 y 8 cm (2–3") de la segunda pared, mirando hacia la pared (Fig. 9).
- Ajuste la altura de la unidad hasta que el rayo caiga sobre el lugar marcado en el paso 3.
- Gire la unidad 180° y apunte el rayo hacia la primera pared (Fig. 10).
- Mida la distancia vertical entre el rayo y la marca realizada en el paso 2.
- Si la medida es mayor que los valores mostrados a continuación, el láser deberá ser reparado por un centro de servicio autorizado.

Repita los pasos 1 al 8 para comprobar el rayo frontal, el rayo izquierdo y el rayo derecho.

Distancia entre paredes	Medida entre marcas
7,5 m (25')	3 mm (1/8")
15 m (50')	6 mm (1/4")
23 m (75')	9 mm (3/8")

#### CONTROL DE NIVEL DE PRECISIÓN DE RAYOS PERPENDICULARES (FIG. 11A–D)

Refiérase a la Figura 11 para ver dónde ubicar el DW085 y dónde hacer marcas en cada paso. Todas las marcas se pueden hacer sobre el piso si coloca un objeto que sirva de blanco frente al rayo de nivel o el rayo perpendicular y transfiere su ubicación al piso.

- Busque un cuarto que tenga un mínimo de 10 m (35') de largo. Marque un punto (K) sobre el piso a un extremo del cuarto (Fig. 11A).
- Coloque el láser de modo que el rayo inferior esté sobre el punto K. Asegúrese que el rayo láser frontal apunte hacia el fondo del cuarto (Fig. 11A).
- Marque un punto (L) en el piso, en el centro del cuarto, usando un objeto como blanco para transferir el rayo láser frontal al piso. (Fig. 11A).
- Marque un punto (M) sobre la pared del fondo del cuarto o transfiera el rayo láser al piso (Fig. 11A).
- Mueva el DW085 hasta el punto L y alinee el rayo láser frontal con el punto M de nuevo (Fig. 11B).
- Marque la ubicación de dos rayos perpendiculares como N y O en el piso.
**NOTA:** Para asegurar una mayor precisión, la distancia entre K y L, L y M, L y N, y L y O debería ser la misma.
- Gire el DW085 90° para que el rayo láser frontal se alinee con el punto N (Fig. 11C).
- Marque la ubicación del primer rayo perpendicular (P) en el piso, lo más cercano posible al punto K (Fig. 11C).
- Mida la distancia entre los puntos K y P (Fig. 11C). Si la medida es mayor que los valores mostrados en la tabla a continuación, el láser debe ser reparado por un centro de servicio autorizado.
- Luego, gire el DW085 90° para que el rayo láser frontal se alinee con el punto O (Fig. 11D).
- Marque la ubicación del segundo rayo perpendicular (Q) en el piso, lo más cercano posible al punto K (Fig. 11D).
- Mida la distancia entre los puntos K y Q (Fig. 11D). Si la medida es mayor que los valores mostrados en la tabla a continuación, el láser debe ser reparado por un centro de servicio autorizado.

Distancia entre las marcas (K a M)	Medida entre las marcas (K a P, o K a Q)
7,5 m (25')	3 mm (1/8")
15 m (50')	6 mm (1/4")
23 m (75')	9 mm (3/8")

## Resolución de problemas

#### EL LÁSER NO SE ENCIENDE

- Compruebe que las pilas estén instaladas de acuerdo con los signos (+), (-) en la puerta del compartimento de pilas.
- Compruebe que las pilas estén en buenas condiciones de funcionamiento. Si tiene dudas, pruebe instalando pilas nuevas.
- Compruebe que los contactos de las pilas estén limpios y no estén oxidados o corroídos. Asegúrese de mantener el nivel láser seco y de usar solo pilas nuevas, de alta calidad para reducir las posibilidades de fugas en las pilas.
- Si el láser ha estado guardado en un lugar con una temperatura ambiental demasiado alta, deje que enfríe.

#### LOS RAYOS LÁSER PARPADEAN (FIG. 4)

El nivel láser ha sido diseñado para autonivelarse en una inclinación máxima de 4º en toda dirección cuando está puesto como lo muestra la Figura 4. Si el láser se inclina tanto que su mecanismo interno no puede encontrar su propia plomada, el láser destellará – el rango de inclinación ha sido sobrepasado. LOS RAYOS LÁSER DESTELLANTES CREADOS POR EL LÁSER NO ESTÁN A NIVEL O PLOMADA Y NO DEBERÍAN SER UTILIZADOS PARA DETERMINAR O MARCAR NIVEL O PLOMADA. Intente volver a colocar el láser sobre una superficie más pareja.

#### LOS RAYOS LÁSER NO DEJAN DE MOVERSE

El DW085 es un instrumento de precisión. Por esta razón, si no se coloca en una superficie estable (e inmóvil), la herramienta seguirá tratando de encontrar plomada. Si el rayo no deja de moverse, pruebe colocando la herramienta sobre una superficie más estable. Además, trate de asegurarse que la superficie sea relativamente plana de modo que el láser esté estable.

## Servicio y reparaciones

**NOTA:** Si desarma el nivel láser, todas las garantías del producto quedarán nulas.

Para garantizar la SEGURIDAD y FIABILIDAD del producto, toda reparación, todo mantenimiento y ajuste deberán ser realizados en los centros autorizados de servicio. El servicio o mantenimiento realizados por personal no calificado podría crear un riesgo de lesión. Para ubicar su centro de servicio DEWALT más cercano, llame al 1-800-4-DEWALT (1-800-433-9258) o visite nuestro sitio web: www.dewalt.com.

ESPECIFICACIONES	
Fuente de luz	Diodo láser semiconductor
Longitud de onda del láser	Visible, de 630 a 680 nm
Potencia del láser	<4,0 mW (cada rayo) PRODUCTO LÁSER DE CLASE 2
Rango de trabajo	± 30 m (100')
Precisión* (Arriba)	± 6 mm a 30 m (± 1/4" a 100')
Precisión* (Nivel)	± 6 mm a 30 m (± 1/4" a 100')
Indicadores	Indicador que parpadea: pilas bajas <p>Láser que parpadea: rango de inclinación excedido</p>
Fuente de alimentación	4 pilas AA (6,0 V CD)
Temperatura de funcionamiento	De -10 <span> </span> °C a 50 <span> </span> °C (De 20 <span> </span> °F a 120 <span> </span> °F)
Temperatura de almacenamiento	-20 <span> </span> °C a 60 <span> </span> °C (-5 <span> </span> °F a 140 <span> </span> °F)
Entorno	Resistente al agua

\*La especificación de precisión supone que el láser está colocado sobre una superficie con menos de 4º de inclinación.

#### PARA REPARACIÓN Y SERVICIO DE SUS HERRAMIENTAS ELÉCTRICAS, FAVOR DE DIRIGIRSE AL CENTRO DE SERVICIO MÁS CERCANO

<b>CULIACAN, SIN</b> Blvd.Emiliano Zapata 5400-1 Poniente Col. San Rafael	(667) 717 89 99
<b>GUADALAJARA, JAL</b> Av. La Paz #1779 - Col. Americana Sector Juárez	(33) 3825 6978
<b>MEXICO, D.F.</b> Eje Central Lázaro Cárdenas No. 18 Local D, Col. Obrera	(55) 5588 9377

<b>MERIDA, YUC</b> Calle 63 #459-A - Col. Centro	(999) 928 5038
<b>MONTERREY, N.L.</b> Av. Francisco I. Madero 831 Poniente - Col. Centro	(818) 375 23 13
<b>PUEBLA, PUE</b> 17 Norte #205 - Col. Centro	(222) 246 3714
<b>QUERETARO, QRO</b> Av. San Roque 274 - Col. San Gregorio	(442) 2 17 63 14
<b>SAN LUIS POTOSI, SLP</b> Av. Universidad 1525 - Col. San Luis	(444) 814 2383
<b>TORREON, COAH</b> Blvd. Independencia, 96 Pte. - Col. Centro	(871) 716 5265
<b>VERACRUZ, VER</b> Prolongación Díaz Mirón #4280 - Col. Remes	(229) 921 7016
<b>VILLAHERMOSA, TAB</b> Constitución 516-A - Col. Centro	(993) 312 5111

**PARA OTRAS LOCALIDADES:**

**Si se encuentra en México, por favor llame al (55) 5326 7100**

**Si se encuentra en U.S., por favor llame al**

**1-800-433-9258 (1-800 4-DEWALT)**

**Póliza de Garantía**

IDENTIFICACIÓN DEL PRODUCTO:

Sello o firma del Distribuidor.

Nombre del producto: \_\_\_\_\_ Mod./Cat.: \_\_\_\_\_

Marca: \_\_\_\_\_ Núm. de serie: \_\_\_\_\_

(Datos para ser llenados por el distribuidor)

Fecha de compra y/o entrega del producto: \_\_\_\_\_

Nombre y domicilio del distribuidor donde se adquirió el producto:

Este producto está garantizado por un año a partir de la fecha de entrega, contra cualquier defecto en su funcionamiento, así como en materiales y mano de obra empleados para su fabricación. Nuestra garantía incluye la reparación o reposición del producto y/o componentes sin cargo alguno para el cliente, incluyendo mano de obra, así como los gastos de transportación razonablemente erogados derivados del cumplimiento de este certificado.

Para hacer efectiva esta garantía deberá presentar su herramienta y esta póliza sellada por el establecimiento comercial donde se adquirió el producto, de no contar con ésta, bastará la factura de compra.

**EXCEPCIONES**

Esta garantía no será válida en los siguientes casos:

- Cuando el producto se hubiese utilizado en condiciones distintas a las normales;
- Cuando el producto no hubiese sido operado de acuerdo con el instructivo de uso que se acompaña;
- Cuando el producto hubiese sido alterado o reparado por personas distintas a las enlistadas al final de este certificado.

Anexo encontrará una relación de sucursales de servicio de fábrica, centros de servicio autorizados y franquiciados en la República Mexicana, donde podrá hacer efectiva su garantía y adquirir partes, refacciones y accesorios originales.

**Registro en línea**

Gracias por su compra. Registre su producto ahora para:

- **SERVICIO EN GARANTÍA:** Si completa esta tarjeta, podrá obtener un servicio en garantía más eficiente, en caso de que exista un problema con su producto.
- **CONFIRMACIÓN DE PROPIEDAD:** En caso de una pérdida que cubra el seguro, como un incendio, una inundación o un robo, el registro de propiedad servirá como comprobante de compra.
- **PARA SU SEGURIDAD:** Si registra el producto, podremos comunicarnos con usted en el caso improbable que se deba enviar una notificación de seguridad conforme a la Federal Consumer Safety Act (Ley Federal de Seguridad de Productos para el Consumidor).

Registro en línea en [www.dewalt.com/register](http://www.dewalt.com/register).

**Garantía limitada por tres años**

DEWALT reparará, sin cargo, cualquier falla que surja de defectos en el material o la fabricación del producto, por hasta tres años a contar de la fecha de compra. Esta garantía no cubre fallas de las piezas causadas por su desgaste normal o abuso a la herramienta. Para mayores detalles sobre la cobertura de la garantía e información acerca de reparaciones realizadas bajo garantía, visítenos en [www.dewalt.com](http://www.dewalt.com) o diríjase al centro de servicio más cercano. Esta garantía no aplica a accesorios o a daños causados por reparaciones realizadas o intentadas por terceros. Esta garantía le otorga derechos legales específicos, además de los cuales puede tener otros dependiendo del estado o la provincia en que se encuentre.

Además de la garantía, las herramientas DEWALT están cubiertas por:

**1 AÑO DE SERVICIO GRATUITO**

DEWALT mantendrá la herramienta y reemplazará las piezas gastadas por su uso normal, sin cobro, en cualquier momento durante un año a contar de la fecha de compra. Los artículos gastados por la clavadora, tales como la unidad de hoja y retorno del impulsador, no están cubiertas.

**2 AÑOS DE SERVICIO GRATUITO PARA UNIDADES DE ALIMENTACIÓN DEWALT**

DC9071, DC9091, DC9096, DC9280, DC9360, DC9180, DCB120, DCB201 y DCB203

**3 AÑOS DE SERVICIO GRATUITO PARA UNIDADES DE ALIMENTACIÓN DEWALT**

DCB200, DCB204

**UNIDADES DE BATERÍA DEWALT**

La garantía del producto quedará nula si la unidad de batería ha sido alterada de cualquier manera. DEWALT no es responsable de ninguna lesión causada por alteraciones y podría iniciar un procedimiento judicial por fraude de garantía hasta el máximo grado permisible por la ley.

**GARANTÍA DE REEMBOLSO DE SU DINERO POR 90 DÍAS**

Si no está completamente satisfecho con el desempeño de su máquina herramienta, láser o clavadora DEWALT, cualquiera sea el motivo, podrá devolverlo hasta 90 días de la fecha de compra con su recibo y obtener el reembolso completo de su dinero – sin necesidad de responder a ninguna pregunta.

**AMÉRICA LATINA:** Esta garantía no se aplica a los productos que se venden en América Latina. Para los productos que se venden en América Latina, debe consultar la información de la garantía específica del país que viene en el empaque, llamar a la compañía local o visitar el sitio Web a fin de obtener esa información.

**REEMPLAZO GRATUITO DE LAS ETIQUETAS DE ADVERTENCIAS:** Si sus etiquetas de advertencia se vuelven ilegibles o faltan, llame al 1-800-433-9258 (1-800-4-DEWALT) para que se le reemplacen gratuitamente.

Especificaciones

DW085 6 Volts

SOLAMENTE PARA PROPÓSITO DE MÉXICO:  
 IMPORTADO POR: DEWALT INDUSTRIAL TOOL CO. S.A. DE C.V.  
 AVENIDA ANTONIO DOVALI JAIME, # 70 TORRE B PISO 9  
 COLONIA LA FE, SANTA FÉ  
 CÓDIGO POSTAL : 01210  
 DELEGACIÓN ALVARO OBREGÓN  
 MÉXICO D.F.  
 TEL. (52) 555-326-7100  
 R.F.C.: BDE810626-1W7

Para servicio y ventas consulte  
**“HERRAMIENTAS ELECTRICAS”**  
 en la sección amarilla.

