

# DEWALT®



**Instruction Manual  
Guide D'utilisation  
Manual de instrucciones**

**DWE74911**

**Rolling Jobsite Table Saw Stand**

**Socle mobile de chantier pour scie de table**

**Soporte de Sierra de Mesa con Ruedas para el Sitio de la Obra**

**[www.DEWALT.com](http://www.DEWALT.com)**

**If you have questions or comments, contact us.  
Pour toute question ou tout commentaire, nous contacter.  
Si tiene dudas o comentarios, contáctenos.**

**1-800-4-DEWALT**

## ENGLISH

---

English (***original instructions***)

1

---

Français (*traduction de la notice d'instructions originale*)

7

---

Español (*traducido de las instrucciones originales*)

14

---

## Definitions: Safety Alert Symbols and Words

This instruction manual uses the following safety alert symbols and words to alert you to hazardous situations and your risk of personal injury or property damage.





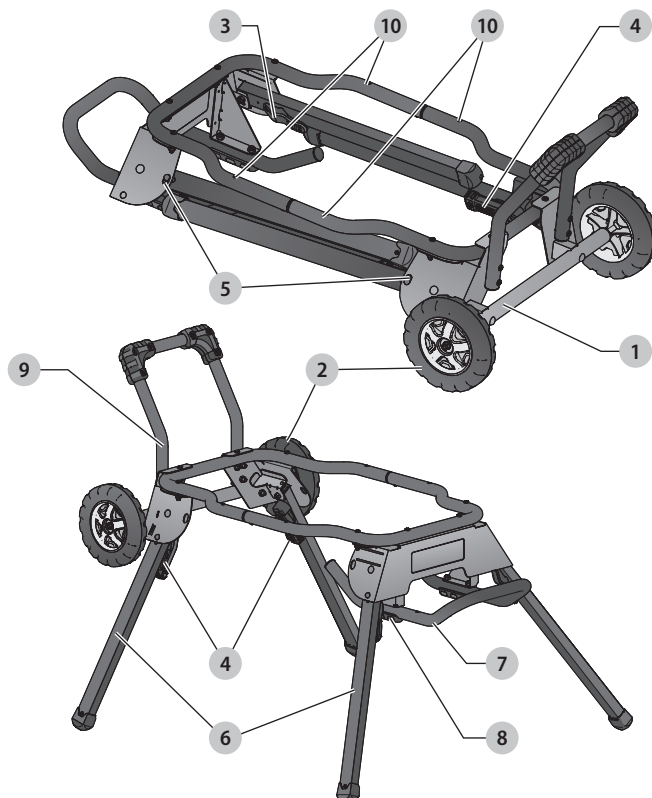


-  **DANGER:** Indicates an imminently hazardous situation which, if not avoided, **will** result in **death or serious injury**.
-  **WARNING:** Indicates a potentially hazardous situation which, if not avoided, **could** result in **death or serious injury**.
-  **CAUTION:** Indicates a potentially hazardous situation which, if not avoided, **may** result in **minor or moderate injury**.
-  (Used without word) Indicates a safety related message.
- NOTICE:** Indicates a practice **not related to personal injury** which, if not avoided, **may** result in **property damage**.

Fig. A



- 1 Axle
- 2 Wheels
- 3 Handle-side leg release levers
- 4 Wheel-side leg release levers
- 5 Locking pins
- 6 Legs
- 7 Handle
- 8 Handle feet
- 9 Kickstand
- 10 Saw mounting holes

 **WARNING: Read all safety warnings and all instructions.** Failure to follow the warnings and instructions may result in electric shock, fire and/or serious injury.

 **WARNING:** To reduce the risk of injury, read the instruction manual.

If you have any questions or comments about this or any DeWALT tool, call us toll free at:  
1-800-4-DeWALT (1-800-433-9258).

## GENERAL SAFETY WARNINGS



**WARNING:** Read all safety warnings and all instructions enclosed with the saw stand and the power tool to be mounted. Failure to follow the warnings and instructions may result in electric shock, fire and/or serious injury.

### SAVE ALL WARNINGS AND INSTRUCTIONS FOR FUTURE REFERENCE

## General Safety Instructions for Table Saw Accessories



**WARNING:** To reduce the risk of personal injury:

- Follow the mounting instructions carefully. Fasten the saw to the stand securely as instructed. Proper assembly is important to prevent the risk of a collapse of the saw stand.
- Ensure all stand fasteners are securely fastened and that all stand mechanisms are in proper working order before mounting or operating the table saw. Proper assembly is important to prevent the risk of a collapse of the saw stand.
- Attach the power tool securely to the saw stand before using it. Sliding off of the power tool on the saw stand can lead to loss of control.
- **DO NOT** use the stand on uneven surfaces. **DO NOT** use the stand with the legs folded and stand sitting on the ground. The stand is designed to be used on a flat, stable surface. If the saw stand can slide around or wobbles, the power tool or the workpiece cannot be evenly and securely guided.
- Pull the plug from the main receptacle and/or remove the battery from the power tool before making adjustments on the tool or changing tool accessories. Unintentional switching on of the power tool is the cause of many accidents.
- Ensure that long and heavy workpieces do not affect to the balance of the saw stand. Long and/or heavy workpieces must be supported at the free end.
- Keep your fingers clear of the hinge points while folding the legs of the saw stand. Danger of fingers being crushed or contused.
- **DO NOT** modify or use stand for operations for which it is unintended.
- **DO NOT** use the stand on uneven surfaces. **DO NOT** use the stand with the legs folded and stand sitting on the ground. The stand is designed to be used on a flat, stable surface.

## SAVE THESE INSTRUCTIONS FOR FUTURE USE

## COMPONENTS (FIG. A)



**WARNING:** Never modify the power tool or any part of it. Damage or personal injury could result.

Refer to Figure A at the beginning of this manual for a complete list of components.

### Intended Use

This table saw stand is designed for use with these table saws: DW745, DWE7480, DWE7485, DCS7485, DWE7490, DWE7491 and DWE7499. When used with the DW745, DWE7480, DWE7485 and DCS7485 table saws, the adaptor brackets (not included with DWE7491RS) must be mounted to the saw prior to placing the saw on the stand. Do not use this stand with any other tool.

**DO NOT** use under wet conditions or in presence of flammable liquids or gases.

**DO NOT** let children come into contact with the tool. Supervision is required when inexperienced operators use this tool.

## ASSEMBLY AND ADJUSTMENTS



**WARNING:** To reduce the risk of serious personal injury, turn unit off and before making any adjustments or removing/installing attachments or accessories. An accidental start-up can cause injury.

## Tools Required

Hex key and small wrench (supplied)  
Socket or wrench set

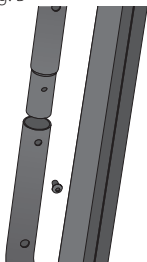
## Contents

Instruction manual	
Stand, right side	Handle feet (2)
Stand, left side	Carriage head bolts (2)
Wheels (2)	M6x12 pan bolts (2)
Rear axle	M8x40 hex head bolts (4)
Kickstand assembly	M8x40 pan head bolts (4)
Tube plugs (2)	M8 lock nuts (12)
Handle assembly	Flat washers (2)
DWE7490/DWE7491/DWE7499 saw mounting hardware:	
M8x75 Pan head bolts (4)	
M8 Lock nuts (4)	
M8 Flat washers (4)	
DW745/DWE7480/DWE7485/DCS7485 saw mounting hardware (not included with DWE7491RS):	
Adapter brackets (front and rear) (2)	
M6 Pan head bolts (4)	
M6 Flat washers (4)	
M6 Lock nuts (4)	
M8 Pan head bolts (4)	
M8 Flat washers (4)	
M8 Lock nuts (4)	

## Assembling Stand Frame Halves (Fig. B)

1. Slide smaller tube diameter into opposite tube side as shown until holes align.
2. Install M6x12 pan head bolts until tight on both sides.

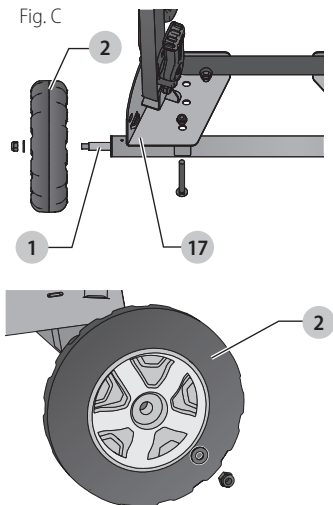
Fig. B



## Attaching the Wheels and Axle (Fig. C)

1. Attach the axle 1 to the end bracket 17 by aligning the pre-drilled holes. Secure axle to end bracket using two carriage bolts and lock nuts provided.
2. Place the wheels 2 on the axle 1 and secure with washers and lock nuts as shown. Tighten wheel and axle nuts securely.

Fig. C

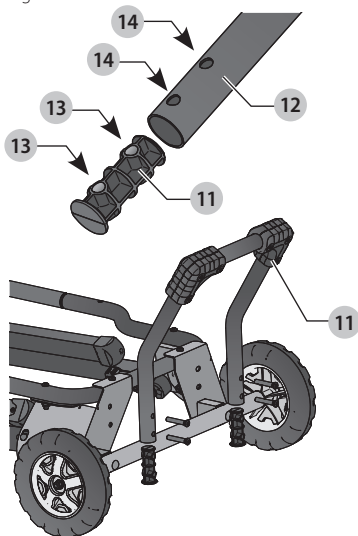


## Attaching the Kickstand (Fig. D)

Insert the tube plugs 11 into the end of the kickstand tube 12. Be sure that the holes 13 in the tube plugs are in line with the holes 14 in the kickstand tube before inserting the tube plugs.

Align the kickstand holes with the holes on the end bracket. Be sure the kickstand is pointing up when the stand is in an upright position. Secure the kickstand with the four M8x40 pan bolts and nuts provided as shown.

Fig. D

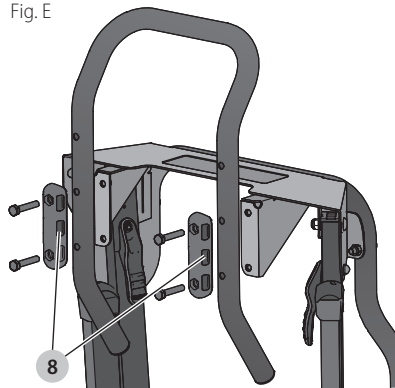


## Attaching the Handle (Fig. E)

Attach the handle with the four M8x40 hex head bolts provided. Feed the bolts through the handle feet 8 then through the handle tube and through the gusset holes on the end bracket. Install four nuts and tighten securely.

**NOTE:** The handle has two positions to choose from: a compact position and an easy carry/setup position.

Fig. E



## Table Saw Mounting (Fig. F-H)



**WARNING:** To reduce the risk of injury, turn unit off, disconnect machine from power source before assembling the table saw to the table saw stand. An accidental start-up can cause injury.



**WARNING:** For your own safety, read and understand the table saw instruction manual before using. Failure to heed these warnings may result in personal injury and serious damage to the table saw and the accessory.

## Mounting the DWE7490, DWE7491 and DWE7499

1. Place the saw, table side down, on a stable, non-marring surface.
2. Place the stand on top of saw as shown in Figure F. Align the stand holes with the saw frame holes.
3. Feed the M8x75 pan head bolt **16** through a M8 flat washer, then through the stand frame and then through the saw frame. Secure with an M8 lock nut from top and tighten in each of the four hole locations.
4. Lift assembly by stand handle onto kickstand.

**NOTE:** The stand should be oriented on the saw such that the DEWALT label on the stand and on the saw are on the same side.



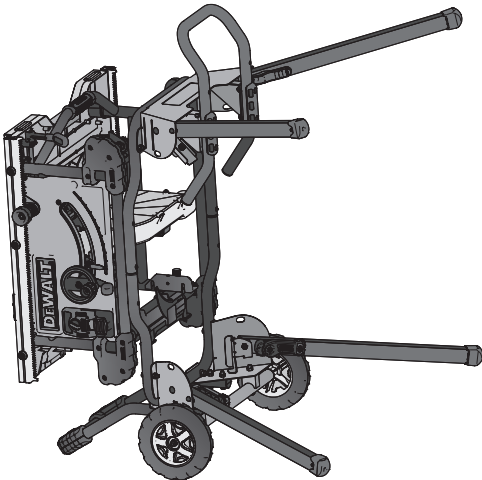
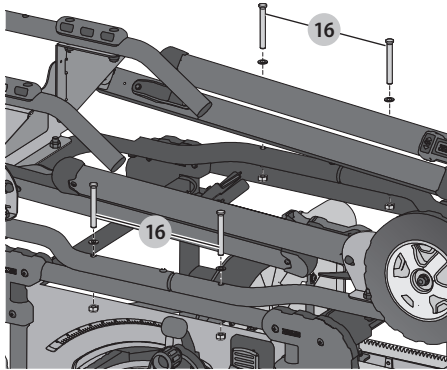

-  **WARNING:** To reduce the risk of personal injury, be sure the table saw is fully anchored on the stand.
-  **WARNING:** To reduce the risk of personal injury, do not hang objects from the handle. The stand may tip when downward force is applied.

Fig. F



## Mounting the DW745, DWE7480, DWE7485, DCS7485

1. Place the saw, table side down, on a stable, non-marring surface.
2. Attach the adaptor brackets (not included with DWE7491RS) **17** **18** in Figure G to the saw using the M6x40 pan head bolts, M6 washers, and M6 lock nuts as shown in Figure G. Do not tighten fully.
  - NOTE:** Attach the front adapter bracket to the front side of the saw/stand (the side with the DEWALT label) and the rear bracket to the opposite side.
3. Place the stand on top of the saw as shown. Align the stand holes with the holes in the adapters.
4. Feed each of the M8x45 pan head bolts **19** through an M8 flat washer, then through the stand, then through the adapter plate. Secure with M8 lock nuts.
5. Tighten all fasteners securely.
6. Lift assembly by stand handle onto kickstand.

 **WARNING:** When the adapter brackets are mounted to the power tool, operate it **exclusively on the saw stand**. Without the saw stand, the adapter brackets mounted to the power tool, does not stand securely and can tip over.


 **WARNING:** Without the saw stand, the power tool with adapter brackets does not stand securely and can tip over.

Fig. G

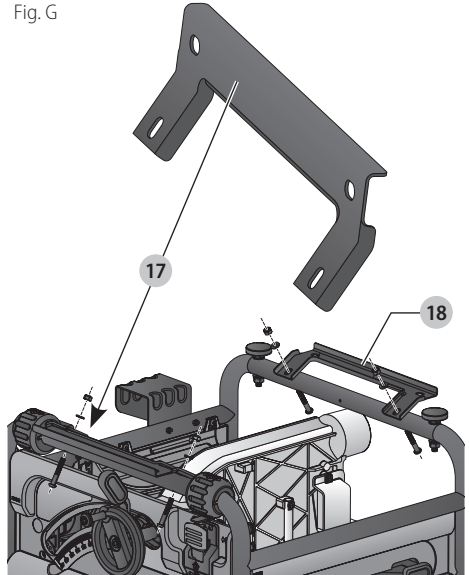
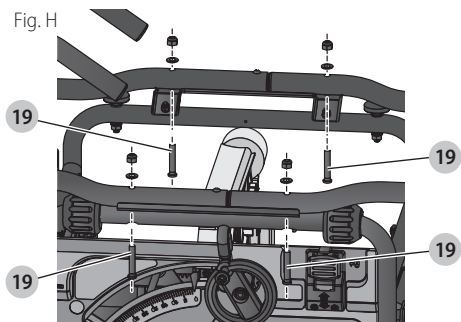


Fig. H



## To Raise Stand from Collapsed Position (Fig. A)

Roll the stand to the workspace. Be sure the area is flat and stable before attempting to set up the saw and stand.

1. Tilt up the stand until the saw is at a 90 degree angle sitting on the kickstand.
2. Unfold the handle side legs by depressing leg release levers **3** and rotate until locking pin **5** clicks into the detent. Repeat for other handle side leg.
3. Unfold the wheel side legs by rotating leg release levers **4** and rotate leg until locking pin **5** clicks into the detent. Repeat for other bottom leg.

**!** **WARNING:** Be sure that the locking pins have engaged and the legs are firmly held in place.

4. With all legs locked in their open positions, pull stand toward you and tilt over until all four feet are on the ground.

## Transporting the Saw on the Stand (Fig. I)

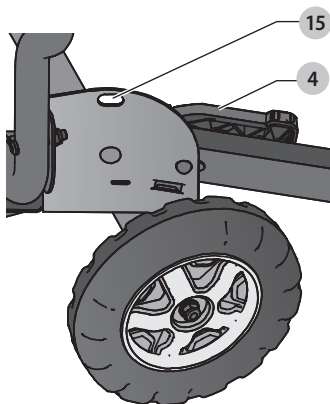
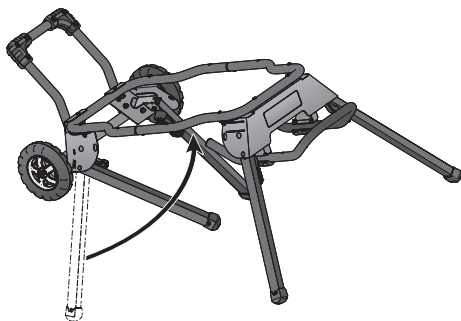
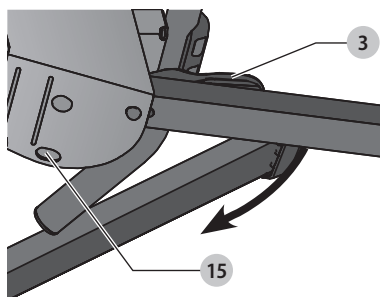
### Collapsing the Stand for Transport

1. Lifting the stand by the handle, tilt up the stand until the saw is at a 90 degree angle sitting on the kickstand.
2. Fold the handle-side legs by depressing the handle-side leg release levers **3** and rotate until locking pin clicks into the detent **15**. Repeat the operation on the second handle side leg of the stand.
3. Fold the wheel-side legs by rotating the wheel-side leg release levers **4** with foot (or hand) and rotate until locking pin clicks into the detent **15**. Repeat with other wheel leg.

**!** **WARNING:** Before transportation, tool must be disconnected from main power supply or the battery must be removed.

**!** **WARNING:** Be sure that the locking pins have engaged and the legs are firmly held in place.

Fig. I



**!** **WARNING:** To reduce the risk of personal injury, **DO NOT** operate the table saw mounted to the stand with the legs folded and the stand sitting on the ground.

## MAINTENANCE

**!** **WARNING:** To reduce the risk of serious personal injury, turn unit off and before making any adjustments or removing/installing attachments or accessories. An accidental start-up can cause injury.

## Cleaning



**WARNING:** Never use solvents or other harsh chemicals for cleaning the non-metallic parts of the tool. These chemicals may weaken the plastic materials used in these parts. Use a cloth dampened only with water and mild soap. Never let any liquid get inside the tool; never immerse any part of the tool into a liquid.

## Accessories



**WARNING:** Since accessories, other than those offered by DEWALT, have not been tested with this product, use of such accessories with this tool could be hazardous. To reduce the risk of injury, only DEWALT recommended accessories should be used with this product.

Recommended accessories for use with your tool are available at extra cost from your local dealer or authorized service center. If you need assistance in locating any accessory, please contact DEWALT Industrial Tool Co., 701 East Joppa Road, Towson, MD 21286, call 1-800-4-DEWALT (1-800-433-9258) or visit our website: [www.dewalt.com](http://www.dewalt.com).

## Storage



**WARNING: TIPPING HAZARD.** The stand may tip when storing or transporting the stand to the vertical position. Store the stand in the horizontal position to reduce the risk of the stand tipping the stand in the vertical position.

## Repairs



**WARNING:** To assure product SAFETY and RELIABILITY, repairs, maintenance and adjustment (including brush inspection and replacement, when applicable) should be performed by a DEWALT factory service center or a DEWALT authorized service center. Always use identical replacement parts.

## Register Online

Thank you for your purchase. Register your product now for:

- **WARRANTY SERVICE:** Registering your product will help you obtain more efficient warranty service in case there is a problem with your product.
- **CONFIRMATION OF OWNERSHIP:** In case of an insurance loss, such as fire, flood or theft, your registration of ownership will serve as your proof of purchase.
- **FOR YOUR SAFETY:** Registering your product will allow us to contact you in the unlikely event a safety notification is required under the Federal Consumer Safety Act.

Register online at [www.dewalt.com/register](http://www.dewalt.com/register).

## Three Year Limited Warranty

DEWALT will repair, without charge, any defects due to faulty materials or workmanship for three years from the date of purchase. This warranty does not cover part failure due to normal wear or tool abuse. For further detail of warranty coverage and warranty repair information, visit [www.dewalt.com](http://www.dewalt.com) or call 1-800-4-DEWALT (1-800-433-9258). This warranty does not apply to accessories or damage caused where repairs have been made or attempted by others. THIS LIMITED WARRANTY IS GIVEN IN LIEU OF ALL OTHERS, INCLUDING THE IMPLIED WARRANTY OF MERCHANTABILITY AND FITNESS FOR A PARTICULAR PURPOSE, AND EXCLUDES ALL INCIDENTAL OR CONSEQUENTIAL DAMAGES. Some states do not allow limitations on how long an implied warranty lasts or the exclusion or limitation of incidental or consequential damages, so these limitations may not apply to you. This warranty gives you specific legal rights and you may have other rights which vary in certain states or provinces. In addition to the warranty, DEWALT tools are covered by our:

### 1 YEAR FREE SERVICE

DEWALT will maintain the tool and replace worn parts caused by normal use, for free, any time during the first year after purchase.

### 90 DAY MONEY BACK GUARANTEE

If you are not completely satisfied with the performance of your DEWALT Power Tool, Laser, or Nailer for any reason, you can return it within 90 days from the date of purchase with a receipt for a full refund – no questions asked.





**LATIN AMERICA:** This warranty does not apply to products sold in Latin America. For products sold in Latin America, see country specific warranty information contained in the packaging, call the local company or see website for warranty information.

**FREE WARNING LABEL REPLACEMENT:** If your warning labels become illegible or are missing, call 1-800-4-DEWALT (1-800-433-9258) for a free replacement.



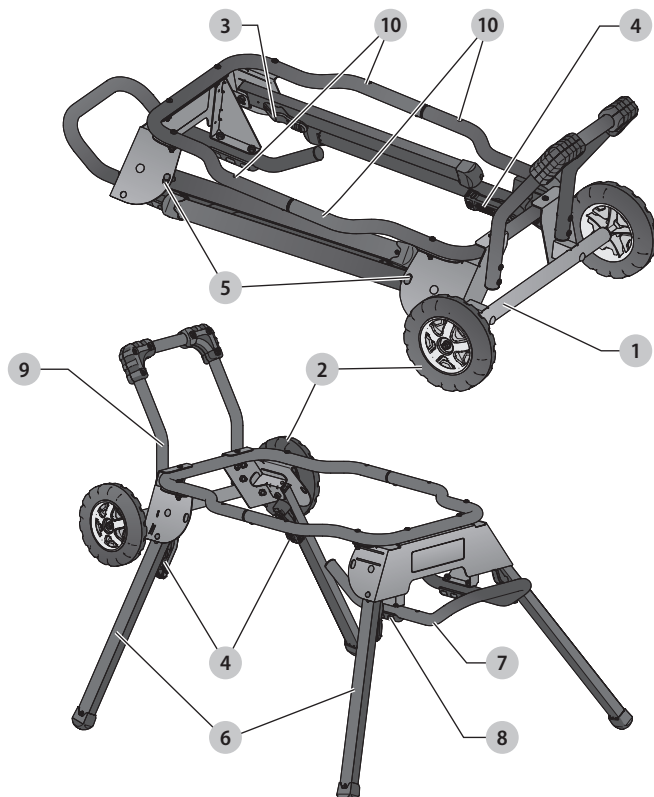
## Définitions : symboles et termes d'alarmes sécurité

Ces guides d'utilisation utilisent les symboles et termes d'alarmes sécurité suivants pour vous prévenir de situations dangereuses et de risques de dommages corporels ou matériels.


-  **DANGER** : indique une situation dangereuse imminente qui, si elle n'est pas évitée, **entraînera la mort ou des blessures graves**.
-  **AVERTISSEMENT** : indique une situation potentiellement dangereuse qui, si elle n'est pas évitée, **pourrait entraîner la mort ou des blessures graves**.
-  **ATTENTION** : indique une situation potentiellement dangereuse qui, si elle n'est pas évitée, **pourrait entraîner des blessures légères ou modérées**.
-  (Si utilisé sans aucun terme) Indique un message propre à la sécurité.

**AVIS** : indique une pratique ne posant **aucun risque de dommages corporels** mais qui par contre, si rien n'est fait pour l'éviter, **pourrait poser des risques de dommages matériels**.

Fig. A



- 1 Essieu
- 2 Roues
- 3 Levier de déverrouillage sur le côté de la poignée
- 4 Levier de déverrouillage sur le côté de la roues
- 5 Goupilles de blocage
- 6 Pattes
- 7 Poignée
- 8 Poignée des pieds
- 9 Béquille
- 10 Trous de montage

 **AVERTISSEMENT** : lire tous les avertissements de sécurité et toutes les directives. Le non-respect des avertissements et des directives pourrait se solder par un choc électrique, un incendie et/ou une blessure grave.

 **AVERTISSEMENT** : afin de réduire le risque de blessures, lire le mode d'emploi de l'outil.

Pour toute question ou remarque au sujet de cet outil ou de tout autre outil DEWALT, composez le numéro sans frais : 1-800-4-DEWALT (1-800-433-9258).

## AVERTISSEMENTS GÉNÉRAUX DE SÉCURITÉ



**AVERTISSEMENT :** lisez tous les avertissements de sécurité et toutes les instructions incluses avec le support de la scie et l'outil électrique à être installé. Ne pas suivre les avertissements et les instructions peut entraîner un choc électrique, un incendie et/ou des blessures graves.

### CONSERVER TOUS LES AVERTISSEMENTS ET TOUTES LES DIRECTIVES POUR UN USAGE ULTÉRIEUR



**AVERTISSEMENT :** afin de réduire le risque de blessure corporelle :

- Suivez attentivement les instructions d'installation. Fixez la scie au support de façon sécuritaire selon les instructions. Un assemblage approprié est important afin de prévenir le risque de chute du support de la scie.
- Assurez-vous que toutes les fixations du support sont fixées de façon sécuritaire et que tous les mécanismes du support fonctionnent bien avant d'installer ou d'utiliser la scie de table. Un assemblage approprié est important afin de prévenir le risque de chute du support de la scie.
- Fixez l'outil électrique de façon sécuritaire au support de la scie avant de l'utiliser. Glisser l'outil électrique hors du support de la scie peut entraîner une perte de contrôle.
- **NE PAS utiliser le support sur des surfaces inégales. NE PAS utiliser le support avec les pattes pliées et le support resté sur le sol. Le support est conçu pour être utilisé sur une surface stable plane.** Si le support de la scie peut glisser ou vaciller, l'outil électrique ou la pièce de travail ne peut pas être orienté de façon égale ou sécuritaire.
- Tirez sur la fiche de la prise de courant principale et/ou retirez la pile de l'outil électrique avant de faire les ajustements sur l'outil ou changer les accessoires de l'outil. Le démarrage non intentionnel de l'outil électrique est la cause de nombreux accidents.
- Assurez-vous que les pièces de travail longues et lourdes n'affectent pas l'équilibre du support de la scie. Les pièces de travail longues et/ou lourdes doivent être soutenues par l'extrémité libre.
- Gardez vos doigts à l'écart des points d'articulation pendant que vous pliez les pattes du support de la scie. Risque d'écrasement ou de contusion des doigts.
- **NE PAS modifier ou utiliser le support pour les opérations pour lesquelles il n'est pas prévu.**

- **NE PAS** utiliser le support sur des surfaces inégales. **NE PAS** utiliser le support avec les pattes pliées et le support resté sur le sol. Le support est conçu pour être utilisé sur une surface stable plane.

## CONSERVER CES CONSIGNES POUR UTILISATION ULTÉRIEURE

### DESCRIPTION (FIG. A)



**AVERTISSEMENT :** ne jamais modifier l'outil électrique ni aucun de ses composants, car il y a risques de dommages corporels ou matériels.

Reportez-vous en Figure A au début de ce manuel pour obtenir la liste complète des composants.

### Usage Prévu

Ce support de scie à table est conçu pour être utilisé avec ces scies à table : DW745, DWE7480, DWE7485, DCS7485, DWE7490, DWE7491 et DWE7499. Lorsqu'ils sont utilisés avec les scies à table DW745, DWE7480, DWE7485 et DCS7485, les supports d'adaptation (non compris avec DWE7491RS) doivent être installés sur la scie avant de la placer sur le support. Ne pas utiliser ce support pour tout autre outil.

**NE PAS** les utiliser en milieu ambiant humide ou en présence de liquides ou de gaz inflammables.

**NE PAS** le laisser à la portée des enfants. Une supervision est nécessaire auprès de tout utilisateur non expérimenté.

### ASSEMBLAGE ET AJUSTEMENTS



**AVERTISSEMENT :** pour réduire le risque de blessures graves, éteindre l'outil et retirer avant d'effectuer tout réglage et d'enlever ou d'installer tout accessoire. Un démarrage accidentel peut provoquer des blessures.

### Outils nécessaires

Clé hexagonale et petite clé (fournies)  
Jeu de douilles ou clés

### Contenu du carton

Instruction manuel	Boulons à tête bombée (2)
Socle, côté droit	Boulons à tête cylindrique large M6x12 (2)
Socle, côté gauche	Boulons à tête hexagonale M8x40 (4)
Roues (2)	Boulons à tête cylindrique large M8x40 (4)
Essieu arrière	Écrous de blocage M8 (12)
Dispositif de béquille	Rondelles plates (2)
Embouts de tube (2)	
Dispositif de poignée	
Attaches de poignée (2)	
Quincaillerie d'installation des modèles DWE7490/DWE7491/DWE7499	
	Boulons à tête cylindrique large M8x75 (4)
	Écrous de blocage M8 (4)
	Rondelles plates M8 (4)

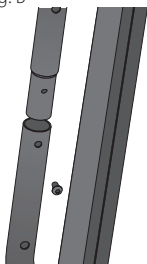
Matériel d'installation des scies DW745/DWE7480/  
DWE7485/DCS7485 (non compris avec DWE7491RS) :

- Supports d'adaptation (avant et arrière) (2)
- Boulons à tête cylindrique M6 (4)
- Rondelles plates M6 (4)
- Écrous de blocage M6 (4)
- Boulons à tête cylindrique M8 (4)
- Rondelles plates M8 (4)
- Écrous de blocage M8 (4)

## Installation de la moitié du châssis du socle (Fig. B)

1. Insérez le tube de petit diamètre dans l'autre tube, comme illustré, jusqu'à ce que leurs trous soient alignés.
2. Insérez les boulons à tête cylindrique M6x12 et serrez soigneusement de chaque côté.

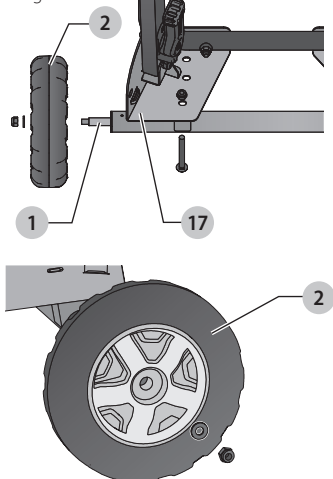
Fig. B



## Installation des roues et de l'essieu (Fig. C)

1. Rattachez l'essieu 1 à l'extrémité du dispositif de fixation 17 en alignant les trous préforés. Arrimez l'essieu à l'extrémité du dispositif de fixation à l'aide des deux boulons à tête bombée et contre-écrous fournis à cet effet.
2. Placez les roues 2 sur l'essieu 1 et fixez-les avec les rondelles et contre-écrou, comme illustré. Serrez soigneusement les roues avec les écrous d'essieu.

Fig. C

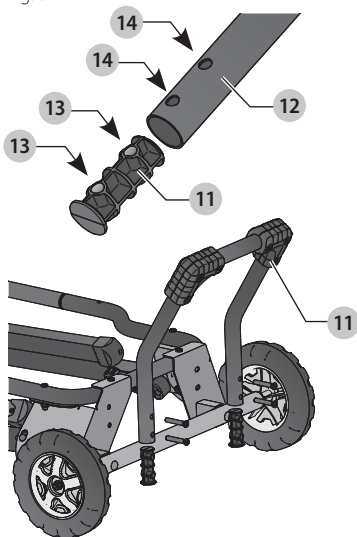


## Installation de la béquille (Fig. D)

Insérez les embouts de tube 11 dans l'extrémité du tube de la béquille 12. Alors que vous insérez les embouts de tube, assurez-vous que leurs trous 13 sont bien alignés sur les trous 14 du tube de la béquille.

Alignez les trous de la béquille sur les trous de l'extrémité du dispositif de fixation. Assurez-vous que la béquille est orientée vers le haut lorsque le socle est en station verticale. Arrimez la béquille avec les quatre boulons à tête cylindrique large M8x40 et écrous fournis à cet effet, comme illustré.

Fig. D

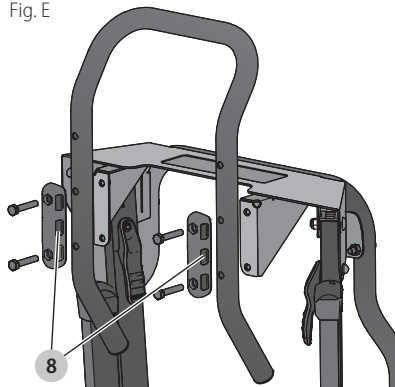


## Installation de la poignée (Fig. E)

Rattachez la poignée à l'aide de quatre boulons à tête hexagonale M8x40 fournis à cet effet. Insérez les boulons dans l'attache de poignée puis dans le tube de la poignée et enfin dans les trous du gousset à l'extrémité du dispositif de fixation. Installez 8 écrous puis resserrez soigneusement.

**REMARQUE :** la poignée peut être mise sur deux positions: une position compacte et une position pour faciliter le transport/l'installation.

Fig. E



## Installation d'une scie de table (Fig. F–H)

**⚠ AVERTISSEMENT :** pour réduire tout risque de dommages corporels, arrêter et débrancher la scie du secteur avant de la monter sur le socle de scie de table. Tout démarrage accidentel comporte des risques de dommages corporels.

**⚠ AVERTISSEMENT :** pour votre sécurité, lire et comprendre le manuel de l'utilisateur de la scie de table avant toute utilisation. Tout manquement à ces avertissements augmente les risques de dommages corporels, et les risques d'endommager sérieusement la scie de table et ses accessoires.

### Installation des Modèles DWE7490, DWE7491, et DWE7499

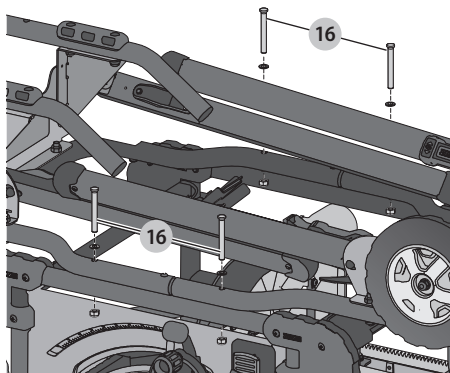
1. Placez la scie, table à l'envers, sur une surface stable, non rayante.
2. Placez le socle sur la scie comme illustré en Figure F. Alignez les trous du socle sur les trous du châssis de scie.
3. Insérez le boulon de mécanique à tête cylindrique M8x75 **16** dans une rondelle plate puis à travers du cadre du socle et ensuite à travers le cadre de la scie. Fixez l'ensemble de façon sécuritaire avec un écrou de blocage M8 sur le dessus et serrez aux quatre points de montage.
4. Soulevez le dispositif par la poignée du socle, comme illustré, pour qu'il repose sur la béquille.

**REMARQUE :** les étiquettes DEWALT du socle et de la scie devraient être du même côté.

**⚠ AVERTISSEMENT :** pour réduire le risque de blessure, s'assurer que la scie de table est bien ancrée au socle.

**⚠ AVERTISSEMENT :** pour réduire le risque de blessure, ne pas suspendre d'objets à la poignée. Le socle risquerait de basculer lors de l'application d'une pression orientée vers le bas.

Fig. F



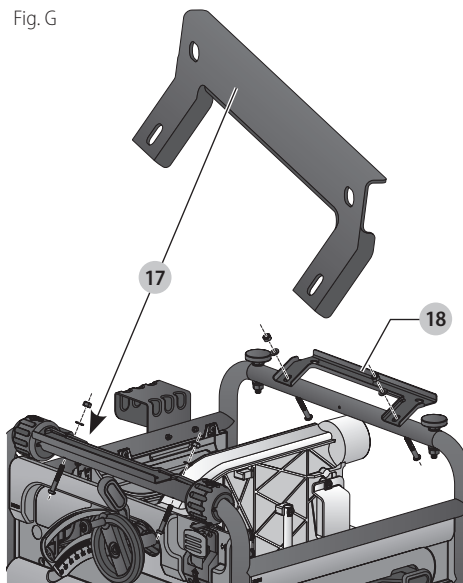
### Installation des Modèles DW745, DWE7480, DWE7485, et DCS7485

1. Placez la scie, table à l'envers, sur une surface stable, non rayante.
2. Fixez les supports d'adaptation (non compris avec DWE7491RS) **17 18** dans la Figure G à la scie à l'aide des vis à tête cylindriques M6 x 40, des rondelles M6 et des écrous freinés M6 comme illustré dans la Figure G. Ne pas serrer complètement.
3. Placez le socle sur la scie comme illustré. Alignez les trous du socle sur les trous des raccords de fixation.
4. Insérez chacun des boulons de mécanique à tête cylindrique M8X45 **19** dans une rondelle plate puis à travers du socle et ensuite à travers la plaque d'adaptation. Fixez de façon sécuritaire à l'aide des écrous de blocage M8.
5. Resserrez fermement toutes les vis.
6. Soulevez l'ensemble par la poignée du socle pour le faire reposer sur la béquille.

**⚠ AVERTISSEMENT :** lorsque les supports d'adaptation sont installés sur l'outil électrique, utilisez-le exclusivement sur le support de la scie. Sans le support de la scie, les supports d'adaptation installés avec l'outil électrique ne se tiennent pas de façon sécuritaire et peuvent basculer.

**⚠ AVERTISSEMENT :** sans le support de la scie, l'outil électrique avec les supports d'adaptation ne se tient pas de façon sécuritaire et peut basculer.

Fig. G



- Alors que les pieds sont verrouillés en position ouverte, tirez le socle vers vous et inclinez-le jusqu'à ce que les quatre pieds reposent sur le sol.

## Transport de la scie sur son socle (Fig. I)

### Rabattre le socle pour le transport

- En soulevant le socle par sa poignée, inclinez-le jusqu'à ce que la scie soit à un angle de 90 degrés en reposant sur la béquille.
- Rabattez les pieds latéraux de la poignée en appuyant sur les leviers de déverrouillage des pieds **3** et faites pivoter jusqu'à ce que les goupilles de verrouillage s'enclenchent dans les orifices **15**. Répétez l'opération pour le deuxième pied latéral de poignée du socle.
- Rabattez les pieds latéraux de la roue en tournant les leviers de déverrouillage des pieds **4** avec le pied (ou la main) et faites pivoter jusqu'à ce que les goupilles de verrouillage s'enclenchent dans les orifices **15**. Répétez l'opération pour l'autre roue.



**AVERTISSEMENT** : avant de transporter, l'outil doit être de débranché de l'alimentation électrique principale ou la pile doit être retirée.



**AVERTISSEMENT** : s'assurer que les goupilles de verrouillage sont bien enclenchées et les pieds fermement maintenus en place.

Fig. I

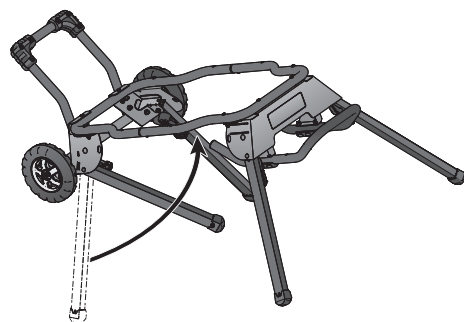
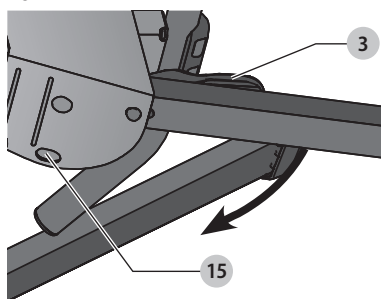
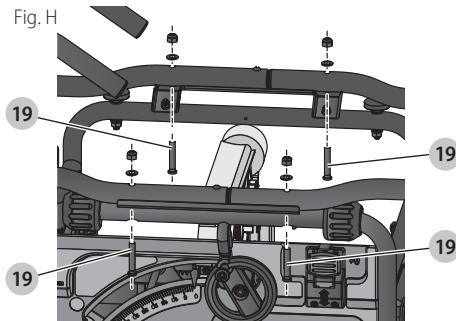


Fig. H



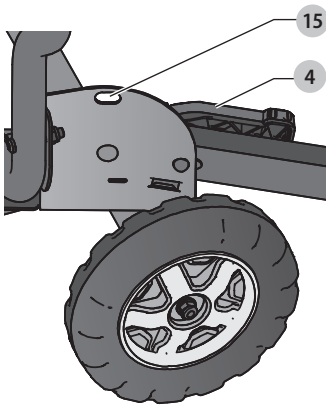
## Déploiement des pattes du socle (Fig. A)

Au moyen des roues, déplacer le socle à l'espace de travail prévu. S'assurer que l'aire choisie est plane et stable avant d'installer la scie et le socle.

- Inclinez le socle jusqu'à ce que la scie soit à un angle de 90 degrés en reposant sur la béquille.
- Dépliez les pieds latéraux de la poignée en appuyant sur les leviers de déverrouillage des pieds **3** et faites pivoter jusqu'à ce que les goupilles de verrouillage s'enclenchent dans les orifices. Répétez l'opération pour l'autre côté.
- Dépliez les pieds latéraux de la roue en tournant les leviers de déverrouillage des pieds **4** et faites pivoter le pied jusqu'à ce que les goupilles de verrouillage **5** s'enclenchent dans les orifices. Répétez l'opération pour l'autre pied.



**AVERTISSEMENT** : s'assurer que les goupilles de verrouillage sont bien enclenchées et les pieds fermement maintenus en place.



**AVERTISSEMENT** : pour réduire le risque de blessure, **NE PAS** faire fonctionner la scie de table, assemblée sur le socle, avec les pattes repliées et le socle posé sur le sol.

## MAINTENANCE

**AVERTISSEMENT** : pour réduire le risque de blessures graves, éteindre l'outil et retirer avant d'effectuer tout réglage et d'enlever ou d'installer tout accessoire. Un démarrage accidentel peut provoquer des blessures.

## Nettoyage

**AVERTISSEMENT** : ne jamais utiliser de solvants ni d'autres produits chimiques puissants pour nettoyer les pièces non métalliques de l'outil. Ces produits chimiques peuvent affaiblir les matériaux de plastique utilisés dans ces pièces. Utiliser un chiffon humecté uniquement d'eau et de savon doux. Ne jamais laisser de liquide pénétrer dans l'outil et n'immerger aucune partie de l'outil dans un liquide.

## Accessoires

**AVERTISSEMENT** : puisque les accessoires autres que ceux offerts par DEWALT n'ont pas été testés avec ce produit, leur utilisation pourrait s'avérer dangereuse. Pour réduire le risque de blessures, utiliser exclusivement les accessoires DEWALT recommandés avec le présent produit.

Les accessoires recommandés pour cet outil sont vendus séparément au centre de service de votre région. Pour obtenir de l'aide concernant l'achat d'un accessoire, communiquer avec DEWALT Industrial Tool Co., 701 East Joppa Road, Towson, MD 21286 aux États-Unis; composer le 1 800 433-9258 (1 800 4-DEWALT) ou visiter notre site Web : [www.dewalt.com](http://www.dewalt.com).

## Entreposage

**AVERTISSEMENT : RISQUE DE BASCULEMENT.** Le support peut basculer lors de l'entreposage ou du transport du support en position verticale. Entreposez le support en position horizontale afin de réduire le risque de basculement du support en position verticale.

## Réparations

**AVERTISSEMENT** : pour assurer la SÉCURITÉ et la FIABILITÉ du produit, les réparations, l'entretien et les réglages doivent être réalisés (cela comprend l'inspection et le remplacement du balai, le cas échéant) par un centre de réparation en usine DEWALT ou un centre de réparation agréé DEWALT. Toujours utiliser des pièces de rechange identiques.

## Registre en ligne

Merci pour votre achat. Enregistrez dès maintenant votre produit :

- **RÉPARATIONS SOUS GARANTIE**: cette carte remplie vous permettra de vous prévaloir du service de réparations sous garantie de façon plus efficace dans le cas d'un problème avec le produit.
- **CONFIRMATION DE PROPRIÉTÉ**: en cas de perte provoquée par un incendie, une inondation ou un vol, cette preuve de propriété vous servira de preuve auprès de votre compagnie d'assurances.
- **SÉCURITÉ**: l'enregistrement de votre produit nous permettra de communiquer avec vous dans l'éventualité peu probable de l'envoi d'un avis de sécurité régi par la loi fédérale américaine de la protection des consommateurs.

Registre en ligne à [www.dewalt.com/register](http://www.dewalt.com/register).

## Garantie limitée de trois ans

DEWALT réparera, sans frais, tout produit défectueux causé par un défaut de matériel ou de fabrication pour une période de trois ans à compter de la date d'achat. La présente garantie ne couvre pas les pièces dont la défectuosité a été causée par une usure normale ou l'usage abusif de l'outil. Pour obtenir de plus amples renseignements sur les pièces ou les réparations couvertes par la présente garantie, visiter le site [www.dewalt.com](http://www.dewalt.com) ou composer le 1 800 433-9258 (1 800 4-DEWALT). CETTE GARANTIE LIMITÉE REMPLACE TOUTE AUTRE GARANTIE, Y COMPRIS TOUTE GARANTIE IMPLICITE DE QUALITÉ MARCHANDE OU DE CONFORMITÉ À DES FINS PARTICULIÈRES, ET EXCLUT TOUT DOMMAGE ACCESSOIRE OU INDIRECT. Certains états n'autorisent aucune limitation quant à la durée d'une garantie implicite ni aucune exclusion ou limitation de garantie contre tout préjudice accessoire ou indirect, aussi il se peut que ces exclusions ne vous soient pas applicables. Cette garantie confère des droits légaux particuliers à l'acheteur, mais celui-ci pourrait aussi bénéficier d'autres droits variant d'un territoire à l'autre.

En plus de la présente garantie, les outils DEWALT sont couverts par notre :

#### **CONTRAT D'ENTRETIEN GRATUIT D'UN AN**

DEWALT entretiendra l'outil et remplacera les pièces usées au cours d'une utilisation normale et ce, gratuitement, pendant une période d'un an à compter de la date d'achat.

#### **GARANTIE DE REMBOURSEMENT DE 90 JOURS**

Si l'acheteur n'est pas entièrement satisfait, pour quelque raison que ce soit, du rendement de l'outil électrique, du laser ou de la cloueuse DEWALT, celui-ci peut le retourner, accompagné d'un reçu, dans les 90 jours à compter de la date d'achat pour obtenir un remboursement intégral, sans aucun problème.

**AMÉRIQUE LATINE :** cette garantie ne s'applique aux produits vendus en Amérique latine. Pour ceux-ci, veuillez consulter les informations relatives à la garantie spécifique présente dans l'emballage, appeler l'entreprise locale ou consulter le site Web pour les informations relatives à cette garantie.

#### **REMPACEMENT GRATUIT DES ÉTIQUETTES**

**D'AVERTISSEMENT :** si les étiquettes d'avertissement deviennent illisibles ou sont manquantes, composer le 1 800 433-9258 (1 800 4-DEWALT) pour en obtenir le remplacement gratuit.

## Definiciones: Símbolos y palabras de alerta de seguridad

Este manual de instrucciones utiliza los siguientes símbolos y palabras de alerta de seguridad para alertarle de situaciones peligrosas y del riesgo de lesiones corporales o daños materiales.

**⚠ PELIGRO:** Indica una situación de peligro inminente que, si no se evita, provocará **la muerte o lesiones graves**.

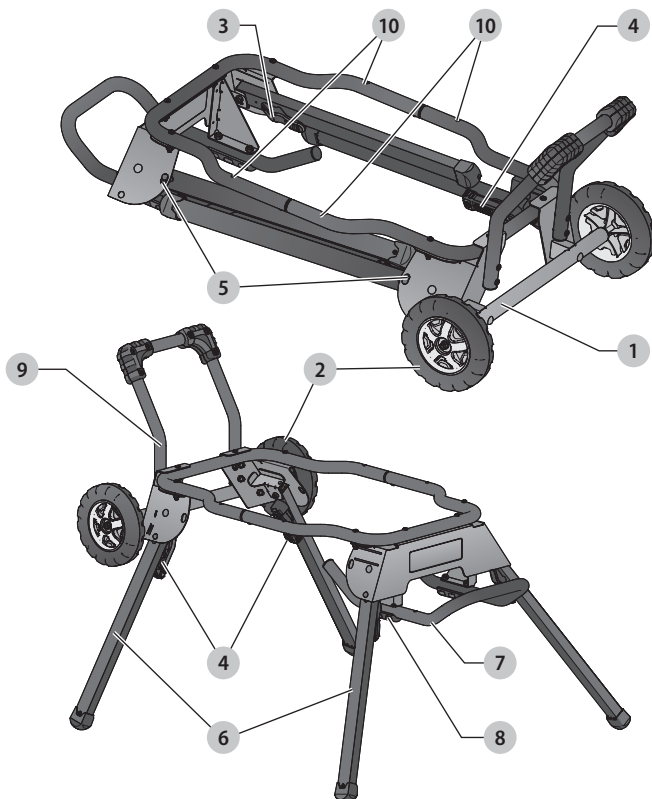
**⚠ ADVERTENCIA:** Indica una situación de peligro potencial que, si no se evita, **podría provocar la muerte o lesiones graves**.

**⚠ ATENCIÓN:** Indica una situación de peligro potencial que, si no se evita, **posiblemente provocaría lesiones leves o moderadas**.

**⚠** (Utilizado sin palabras) indica un mensaje de seguridad relacionado.

**AVISO:** Se refiere a una práctica **no relacionada a lesiones corporales** que de no evitarse **puede resultar en daños a la propiedad**.

Fig. A



- 1 Eje
- 2 Ruedas
- 3 Palancas de patas de liberación en el lado de la mango
- 4 Palancas de patas de liberación en el lado de las ruedas
- 5 Clavija de bloqueo
- 6 Patas
- 7 Mango
- 8 Pies de la agarradera
- 9 Pata de cabra
- 10 Orificios de montaje la sierra

**⚠ ADVERTENCIA:** Lea todas las advertencias de seguridad e instrucciones. El incumplimiento de las advertencias e instrucciones puede provocar descargas eléctricas, incendios o lesiones graves.

**⚠ ADVERTENCIA:** Para reducir el riesgo de lesiones, lea el manual de instrucciones.

Si tiene alguna duda o algún comentario sobre ésta u otra herramienta DEWALT, llámenos al número gratuito: 1-800-4-DEWALT (1-800-433-9258).



## ADVERTENCIAS DE SEGURIDAD GENERALES



**ADVERTENCIA:** Lea todas las advertencias de seguridad y todas las instrucciones incluidas con el soporte de sierra y la herramienta eléctrica a instalarse. La falla en seguir las advertencias e instrucciones puede resultar en descarga eléctrica, incendio y/o lesiones serias.

## CONSERVE TODAS LAS ADVERTENCIAS E INSTRUCCIONES PARA FUTURAS CONSULTAS

### Instrucciones Generales de Seguridad para la Mesa Accesorios de Sierra



**ADVERTENCIA:** Para reducir el riesgo de lesiones personales:

- **Siga las instrucciones de montaje cuidadosamente. Asegure la sierra al soporte de forma segura como se indica.** El ensamble correcto es importante para evitar el riesgo de un colapso del soporte de la sierra.
- **Asegúrese que todos los sujetadores del soporte estén sujetos firmemente y que todos los mecanismos del soporte estén en buen estado de operación antes de montar u operar la sierra de mesa.** El ensamble correcto es importante para evitar el riesgo de un colapso del soporte de la sierra.
- **Conecte la herramienta eléctrica de forma segura al soporte de la sierra antes de usarla.** El deslizamiento de la herramienta eléctrica en el soporte de la sierra puede ocasionar la pérdida de control.
- **NO use el soporte en superficies irregulares. NO use el soporte con las patas dobladas y el soporte sobre el piso. El soporte está diseñado para ser utilizado en una superficie plana y estable.** Si el soporte de la sierra puede deslizarse o tambalearse, la herramienta eléctrica o la pieza de trabajo no se pueden guiar de manera uniforme y segura.
- **Jale el enchufe del receptáculo principal y/o retire la batería de la herramienta eléctrica antes de realizar ajustes en la herramienta o cambiar los accesorios de la herramienta.** La activación involuntaria de la herramienta eléctrica es la causa de muchos accidentes.
- **Asegúrese que las piezas de trabajo largas y pesadas no afecten el equilibrio del soporte de la sierra.** Las piezas de trabajo largas y/o pesadas deben ser soportadas en el extremo libre.
- **Mantenga los dedos alejados de los puntos de la bisagra mientras dobla las patas del soporte de la sierra.** Peligro de aplastamiento o contusión de los dedos.

- **NO modifique o use el soporte para operación para las que no esté diseñado.**
- **NO use el soporte en superficies irregulares. NO use el soporte con las patas dobladas y el soporte sobre el piso. El soporte está diseñado para ser utilizado en una superficie plana y estable.**

## GUARDE ESTAS INSTRUCCIONES PARA VOLVER A CONSULTAR EN EL FUTURO COMPONENTES (FIG. A)



**ADVERTENCIA:** Nunca modifique la herramienta eléctrica, ni tampoco ninguna de sus piezas. Podría producir lesiones corporales o daños.

Consulte la Figura A al principio de este manual para obtener una lista completa de los componentes.

### Uso Debido

Este soporte de sierra de mesa está diseñado para uso con estas sierras de mesa: DW745, DWE7480, DWE7485, DCS7485, DWE7490, DWE7491 y DWE7499. Cuando se utilizan con las sierras de mesa DW745, DWE7480, DWE7485 y DCS7485, los soportes del adaptador (no incluidos con DWE7491RS) deben montarse en la sierra antes de colocar la sierra en el soporte. No use este soporte con ninguna otra herramienta.

**NO** utilice la herramienta en condiciones de humedad o en presencia de líquidos o gases inflamables.

**NO** permita que los niños toquen la herramienta. Si el operador no tiene experiencia operando esta herramienta, su uso deberá ser supervisado.

### MONTAJE Y AJUSTES



**ADVERTENCIA:** Para reducir el riesgo de lesiones personales graves, apague la herramienta y antes de realizar ajustes o de retirar/instalar dispositivos o accesorios. Un arranque accidental podría causar lesiones.

### Herramientas Necesarias

Llave hexagonal y llave inglesa pequeña (suministradas)  
Juego de llaves o casquillos adaptadores

### Contenido

Instruction manual:	Tornillos de carruaje (2)
Soporte, lado derecho	Tornillos alomados
Soporte, lado izquierdo	M6 x 12 (2)
Ruedas (2)	Pernos hexagonales
Eje trasero	M8 x 40 (4)
Unidad de pie de apoyo	Tornillos de cabeza alomada
Tapones para tubo (2)	M8 x 40 (4)
Ensamblaje de la agarradera	Tuercas de fijación M8 (12)
Pies de la agarradera (2)	Arandelas planas (2)
Accesorios de montaje de las sierras DWE7490/DWE7491/DWE7499:	
	Tornillos de cabeza alomada M8 x 75 (4)
	Tuercas de fijación M8 (4)
	Arandelas planas M8 (4)

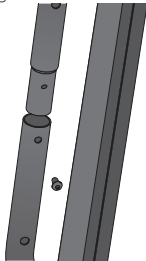
Hardware de montaje de sierra DW745/DWE7480/  
DWE7485/DCS7485 (no incluido con DWE7491RS):

- Soportes adaptadores (delantero y trasero) (2)
- Pernos de cabeza plana M6 (4)
- Arandelas planas M6 (4)
- Tuercas de fijación M6 (4)
- Pernos de cabeza plana M8 (2)
- Arandelas planas M8(4)
- Tuercas de fijación M8(4)

## Montaje de las Mitades del Marco del Soporte (Fig. B)

1. Deslice el diámetro del tubo más pequeño en la parte del tubo opuesto como se muestra hasta que los orificios estén alineados.
2. Instale tornillos de cabeza alomada M6 x 12 hasta que estén apretados en ambos lados.

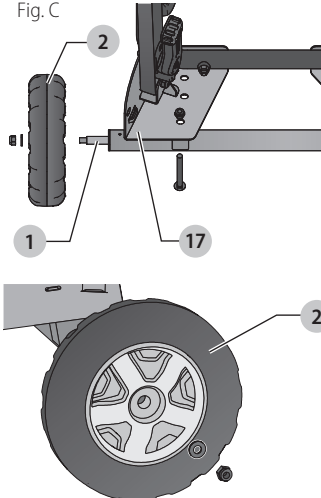
Fig. B



## Fijación de las Ruedas y el Eje (Fig. C)

1. Fije el eje 1 al soporte del extremo 10 alineando los orificios previamente perforados. Asegure el eje al soporte del extremo utilizando los dos tornillos de carruaje y las tuercas de fijación suministrados.
2. Coloque las ruedas 2 en el eje 1 y asegúrelas con las arandelas y las tuercas de fijación según se indica. Ajuste la rueda y las tuercas del eje firmemente.

Fig. C

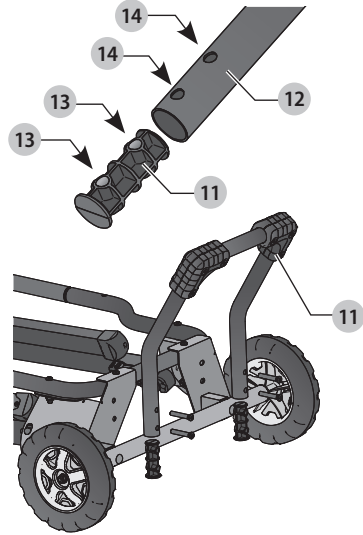


## Acoplamiento del Pie de Apoyo (Fig. D)

Introduzca los tapones para tubo 11 en el extremo del tubo del pie de apoyo 12. Asegúrese de que los orificios 13 de los tapones para tubo estén alineados con los orificios 14 del tubo del pie de apoyo antes de introducir los tapones.

Alinee los orificios del pie de apoyo con los orificios del soporte del extremo. Asegúrese de que el pie de apoyo esté apuntando hacia arriba cuando el soporte esté en posición vertical. Asegure el pie de apoyo con los cuatro tornillos alomados M8 x 40 y tuercas provistos como se muestra.

Fig. D

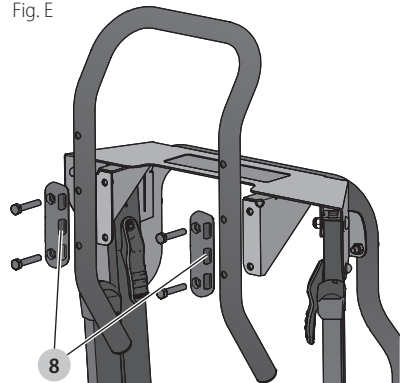


## Fijación de la Agarradera (Fig. E)

Fije la agarradera con los cuatro pernos de cabeza hexagonal M8x40 provistos. Pase los pernos a través de los pies de la agarradera, luego a través del tubo de la agarradera y a través de los orificios de la plancha de refuerzo en el soporte del extremo. Instale las (4) tuercas y apriete bien.

**NOTA:** La agarradera tiene dos posiciones opcionales: una posición compacta y una posición de instalación/transporte fácil.

Fig. E



## Montaje de la Sierra de Mesa (Fig. F–H)

**!** **ADVERTENCIA:** Para reducir el riesgo de lesiones, apague y desconecte la máquina del suministro eléctrico antes de ensamblar la sierra de mesa a su soporte. La puesta en marcha accidental puede causar lesiones.

**!** **ADVERTENCIA:** Por su propia seguridad, lea y comprenda el manual de instrucciones de la sierra de mesa antes de utilizarla. No hacer caso de estas advertencias podría provocar lesiones personales y daños graves a la sierra de mesa y el accesorio.

### Montaje de las DWE7490, DWE7491, y DWE7499

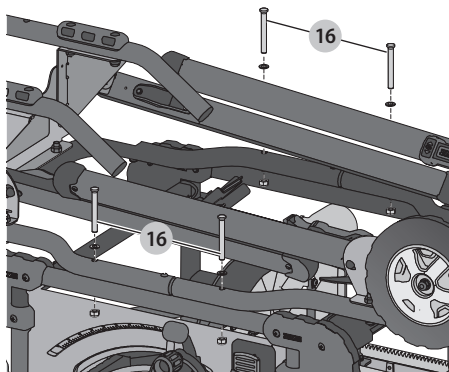
1. Ponga la sierra, con el lado de la mesa hacia abajo, en una superficie estable que no se estropee.
2. Coloque el soporte encima de la sierra como se muestra en la figura F. Alinee los orificios del soporte con los orificios del marco de la sierra.
3. Inserte el perno de cabeza plana M8x75 **16** a través de una arandela plana M8, y después a través del marco del soporte y luego a través del marco de la sierra. Asegure con una tuerca de seguridad M8 desde la parte superior y apriete en cada una de las cuatro ubicaciones de orificios.
4. Levante el ensamblaje por la agarradera del soporte como se muestra en el pie de apoyo.

**NOTA:** El soporte debe estar orientado en la sierra de modo que la etiqueta dewalt en el soporte y en la sierra estén en el mismo lado.

**!** **ADVERTENCIA:** Para reducir el riesgo de lesiones personales, asegúrese de que la sierra de banco esté bien sujeta a la base.

**!** **ADVERTENCIA:** Para reducir el riesgo de lesiones personales, no cuelgue objetos del mango. La base puede inclinarse si se aplica fuerza descendente.

Fig. F



### Montaje de las DW745, DW7480, DWE7485 y DCS7485

1. Ponga la sierra, con el lado de la mesa hacia abajo, en una superficie estable que no se estropee.
2. Sujete los soportes del adaptador (no incluidos con DWE7491RS) **17 18** en la Figura G a la sierra usando los pernos de cabeza plana M6x40, arandelas M6 y tuercas de seguridad M6 como se muestra en la Figura G. No apriete completamente.
- NOTA:** Conecte el soporte adaptador delantero al lado frontal de la sierra / soporte (el lado con la etiqueta DEWALT) y el soporte trasero al lado opuesto.
3. Ponga el soporte encima de la sierra como se muestra. Alinee los orificios del soporte con los orificios de los adaptadores.
4. Pase cada uno de los pernos de cabeza plana M8x45 **19** a través de una arandela plana M8, luego a través del soporte y luego a través de la placa adaptadora. Asegure con tuercas de seguridad M8.
5. Apriete todas las fijaciones.
6. Levante el ensamblaje por la agarradera del soporte en el pie de apoyo.

**!** **ADVERTENCIA:** Cuando los soportes del adaptador estén montados en la herramienta eléctrica, hágalo funcionar exclusivamente en el soporte de la sierra. Sin el soporte de la sierra, los soportes del adaptador montados con la herramienta eléctrica no se sostienen de forma segura y pueden volcarse.

**!** **ADVERTENCIA:** Sin el soporte de la sierra, la herramienta eléctrica con soportes de adaptador no se sostiene de forma segura y puede volcarse.

Fig. G

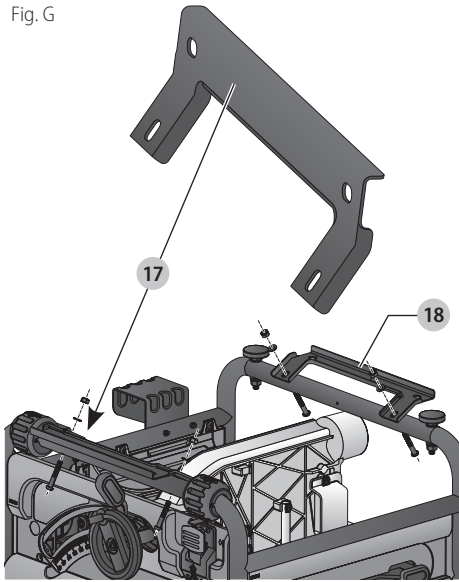
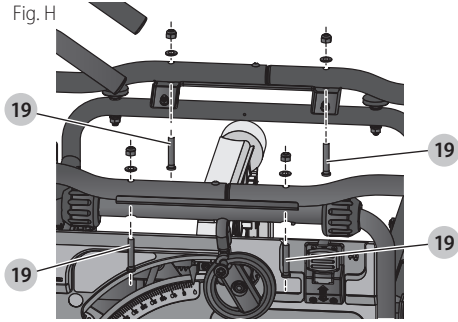


Fig. H



### Cómo Desplegar la Base (Fig. A)

Desplace la base al lugar de trabajo. Asegúrese de que la superficie sea plana y estable antes de comenzar a instalar la sierra y la base.

1. Inclíne el soporte hacia arriba hasta que la sierra se encuentre en un ángulo de 90 grados sobre el pie de apoyo.
2. Despliegue las patas laterales de la agarradera presionando las palancas de liberación de las patas 3 y gire hasta que la clavija de bloqueo 5 haga clic en el retenedor. Repita el procedimiento para la otra pata lateral de la agarradera.
3. Despliegue las patas laterales de la rueda girando las palancas de liberación de las patas 4 y gire la pata hasta que la clavija de bloqueo haga clic 5 en el retenedor. Repita para la otra pata inferior.

**⚠ ADVERTENCIA:** Compruebe que las clavijas de bloqueo estén encajadas y que las patas se mantengan firmemente en su lugar.

4. Con todas las patas bloqueadas en sus posiciones abiertas, jale el soporte hacia usted e inclínelo hasta que los cuatro pies estén en el suelo.

### Transporte de la Sierra Sobre el Soporte (Fig. I)

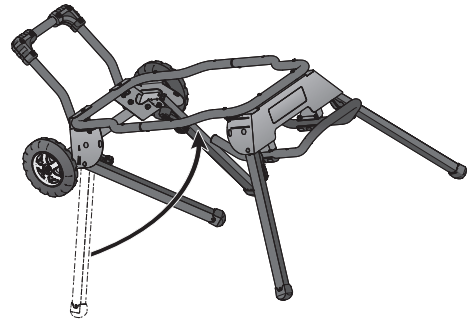
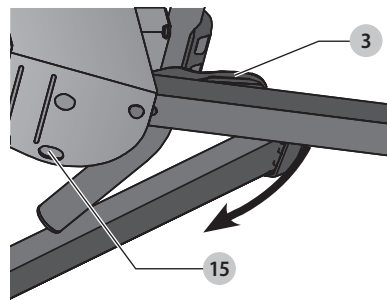
#### Pliegue del Soporte para Transportar

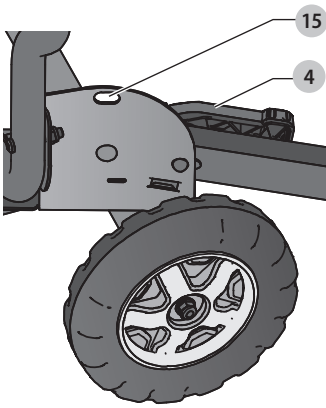
1. Levantando el soporte por la agarradera, incline el soporte hacia arriba hasta que la sierra se encuentre en un ángulo de 90 grados sobre el pie de apoyo.
2. Pliegue las patas laterales de la agarradera presionando las palancas de liberación de las patas 3 y gire hasta que la clavija de bloqueo haga clic en el retenedor 15. Repita la operación en la segunda pata lateral de la agarradera del soporte.
3. Pliegue las patas laterales de la rueda girando las palancas de liberación de las patas 4 con el pie (o la mano) y gire hasta que la clavija de bloqueo haga clic en el retenedor 15. Repita con la otra pata de la rueda.

**⚠ ADVERTENCIA:** Antes del transporte, la herramienta debe estar desconectada de la fuente de alimentación principal o la batería debe ser retirada.

**⚠ ADVERTENCIA:** Compruebe que las clavijas de bloqueo estén encajadas y que las patas se mantengan firmemente en su lugar.

Fig. I





## Almacenamiento

**⚠️ ADVERTENCIA: RIESGO DE TROPIEZO.** El soporte puede volcarse al almacenar o transportar el soporte en posición vertical. Almacene el soporte en posición horizontal para reducir el riesgo de que el soporte se incline sobre la base en posición vertical.

## Reparaciones

**⚠️ ADVERTENCIA:** Para asegurar la SEGURIDAD y la CONFIABILIDAD del producto, las reparaciones, el mantenimiento y los ajustes (inclusive la inspección y el cambio de las escobillas, cuando proceda) deben ser realizados en un centro de mantenimiento en la fábrica DEWALT u en un centro de mantenimiento autorizado DEWALT. Utilice siempre piezas de repuesto idénticas.

**Para reparación y servicio de sus herramientas eléctricas, favor de dirigirse al Centro de Servicio más cercano**

### CULIACAN, SIN

Bldv. Emiliano Zapata 5400-1 Poniente Col. (667) 717 89 99  
San Rafael

### GUADALAJARA, JAL

Av. La Paz #1779 - Col. Americana Sector (33) 3825 6978  
Juárez

### MEXICO, D.F.

Eje Central Lázaro Cárdenas No. 18 - Local (55) 5588 9377  
D, Col. Obrera

### MERIDA, YUC

Calle 63 #459-A - Col. Centro (999) 928 5038

### MONTERREY, N.L.

Av. Francisco I. Madero 831 Poniente - Col. (818) 375 23 13  
Centro

### PUEBLA, PUE

17 Norte #205 - Col. Centro (222) 246 3714

### QUERETARO, QRO

Av. San Roque 274 - Col. San Gregorio (442) 2 17 63 14

### SAN LUIS POTOSI, SLP

Av. Universidad 1525 - Col. San Luis (444) 814 2383

### TORREON, COAH

Bldv. Independencia, 96 Pte. - Col. Centro (871) 716 5265

### VERACRUZ, VER

Prolongación Díaz Mirón #4280 - Col. (229) 921 7016  
Remes

### VILLAHERMOSA, TAB

Constitución 516-A - Col. Centro (993) 312 5111

#### PARA OTRAS LOCALIDADES:

**Si se encuentra en México, por favor llame al (55) 5326 7100**

**Si se encuentra en U.S., por favor llame al 1-800-433-9258 (1-800 4-DEWALT)**

**⚠️ ADVERTENCIA:** Para reducir el riesgo de lesiones personales, **NO** opere la sierra de banco montada en la base con las patas plegadas y la base apoyada en el suelo.

## MANTENIMIENTO

**⚠️ ADVERTENCIA:** Para reducir el riesgo de lesiones personales graves, apague la herramienta y antes de realizar ajustes o de retirar/instalar dispositivos o accesorios. Un arranque accidental podría causar lesiones.

## Limpeza

**⚠️ ADVERTENCIA:** Nunca utilice solventes ni otros químicos abrasivos para limpiar las piezas no metálicas de la herramienta. Estos productos químicos pueden debilitar los materiales plásticos utilizados en estas piezas. Utilice un paño humedecido sólo con agua y jabón neutro. Nunca permita que penetre líquido dentro de la herramienta ni sumerja ninguna de las piezas en un líquido.

## Accesorios

**⚠️ ADVERTENCIA:** Debido a que no se han probado con este producto otros accesorios que no sean los que ofrece DEWALT., el uso de dichos accesorios con esta herramienta podría ser peligroso. Para reducir el riesgo de lesiones, con este producto deben usarse sólo los accesorios recomendados por DEWALT.

Los accesorios que se recomiendan para utilizar con la herramienta están disponibles a un costo adicional en su distribuidor local o en un centro de mantenimiento autorizado. Si necesita ayuda para localizar algún accesorio, póngase en contacto con DEWALT Industrial Tool Co., 701 East Joppa Road, Towson, MD 21286, llame al 1-800-4-DEWALT (1-800-433-9258) o visite nuestro sitio web: [www.dewalt.com](http://www.dewalt.com).

## Póliza de Garantía

IDENTIFICACIÓN DEL PRODUCTO:

Sello o firma del Distribuidor.

Nombre del producto: \_\_\_\_\_

Mod./Cat.: \_\_\_\_\_

Marca: \_\_\_\_\_

Núm. de serie: \_\_\_\_\_

(Datos para ser llenados por el distribuidor)

Fecha de compra y/o entrega del producto:

Nombre y domicilio del distribuidor donde se adquirió el producto:

Este producto está garantizado por un año a partir de la fecha de entrega, contra cualquier defecto en su funcionamiento, así como en materiales y mano de obra empleados para su fabricación. Nuestra garantía incluye la reparación o reposición del producto y/o componentes sin cargo alguno para el cliente, incluyendo mano de obra, así como los gastos de transportación razonablemente erogados derivados del cumplimiento de este certificado. Para hacer efectiva esta garantía deberá presentar su herramienta y esta póliza sellada por el establecimiento comercial donde se adquirió el producto, de no contar con ésta, bastará la factura de compra.

### Excepciones

Esta garantía no será válida en los siguientes casos:

- Cuando el producto se hubiese utilizado en condiciones distintas a las normales;
- Cuando el producto no hubiese sido operado de acuerdo con el instructivo de uso que se acompaña;
- Cuando el producto hubiese sido alterado o reparado por personas distintas a las enlistadas al final de este certificado.

Anexo encontrará una relación de sucursales de servicio de fábrica, centros de servicio autorizados y franquiciados en la República Mexicana, donde podrá hacer efectiva su garantía y adquirir partes, refacciones y accesorios originales.

### Registro en línea

Gracias por su compra. Registre su producto ahora para:

- **SERVICIO EN GARANTÍA:** Si completa esta tarjeta, podrá obtener un servicio en garantía más eficiente, en caso de que exista un problema con su producto.
- **CONFIRMACIÓN DE PROPIEDAD:** En caso de una pérdida que cubra el seguro, como un incendio, una inundación o un robo, el registro de propiedad servirá como comprobante de compra.

- **PARA SU SEGURIDAD:** Si registra el producto, podremos comunicarnos con usted en el caso improbable que se deba enviar una notificación de seguridad conforme a la Federal Consumer Safety Act (Ley Federal de Seguridad de Productos para el Consumidor).

Registro en línea en [www.dewalt.com/register](http://www.dewalt.com/register).

### Garantía limitada por tres años

DEWALT reparará, sin cargo, cualquier falla que surja de defectos en el material o la fabricación del producto, por hasta tres años a contar de la fecha de compra. Esta garantía no cubre fallas de las piezas causadas por su desgaste normal o abuso a la herramienta. Para mayores detalles sobre la cobertura de la garantía e información acerca de reparaciones realizadas bajo garantía, visítenos en [www.dewalt.com](http://www.dewalt.com) o diríjase al centro de servicio más cercano. Esta garantía no aplica a accesorios o a daños causados por reparaciones realizadas o intentadas por terceros. ESTA GARANTÍA LIMITADA SE OTORGA EN VEZ DE TODAS LAS DEMÁS, INCLUIDA LA GARANTÍA IMPLÍCITA DE COMERCIABILIDAD Y APTITUD PARA UN FIN PARTICULAR, Y EXCLUYE TODOS LOS DAÑOS INCIDENTALES O CONSECUENTES. Algunos estados no permiten limitaciones sobre la duración de una garantía implícita, o la exclusión o limitación de daños incidentales o consecuentes, así que estas limitaciones pueden no aplicarse a usted. Esta garantía le otorga derechos legales específicos, además de los cuales usted puede tener otros derechos dependiendo del estado o la provincia en que se encuentre.

Además de la garantía, las herramientas DEWALT están cubiertas por:

#### 1 AÑO DE SERVICIO GRATUITO

DEWALT mantendrá la herramienta y reemplazará las piezas gastadas por su uso normal, sin cobro, en cualquier momento durante un año a contar de la fecha de compra.

#### GARANTÍA DE REEMBOLSO DE SU DINERO POR 90 DÍAS

Si no está completamente satisfecho con el desempeño de su máquina herramienta, láser o clavadora DEWALT, cualquiera sea el motivo, podrá devolverlo hasta 90 días de la fecha de compra con su recibo y obtener el reembolso completo de su dinero – sin necesidad de responder a ninguna pregunta.

**AMÉRICA LATINA:** Esta garantía no se aplica a los productos que se venden en América Latina. Para los productos que se venden en América Latina, debe consultar la información de la garantía específica del país que viene en el empaque, llamar a la compañía local o visitar el sitio Web a fin de obtener esa información.

**REEMPLAZO GRATUITO DE LAS ETIQUETAS DE ADVERTENCIAS:** Si sus etiquetas de advertencia se vuelven ilegibles o faltan, llame al 1-800-433-9258 (1-800-4-DEWALT) para que se le reemplacen gratuitamente.

Solamente para propósito de México:

Importado por: DEWALT Industrial Tool Co. S.A. de C.V.

Avenida Antonio Dovali Jaime, # 70 Torre B Piso 9

Colonia La Fe, Santa Fé

Código Postal : 01210

Delegación Alvaro Obregón

México D.F.

Tel. (52) 555-326-7100

R.F.C.: BDE810626-1W7

DEWALT Industrial Tool Co., 701 East Joppa Road, Towson, MD 21286

(MAR22) Part No. NA163898 DW74911 Copyright © 2014, 2018, 2020, 2022 DEWALT

The following are trademarks for one or more DEWALT power tools: the yellow and black color scheme, the “D” shaped air intake grill, the array of pyramids on the handgrip, the kit box configuration, and the array of lozenge-shaped humps on the surface of the tool.